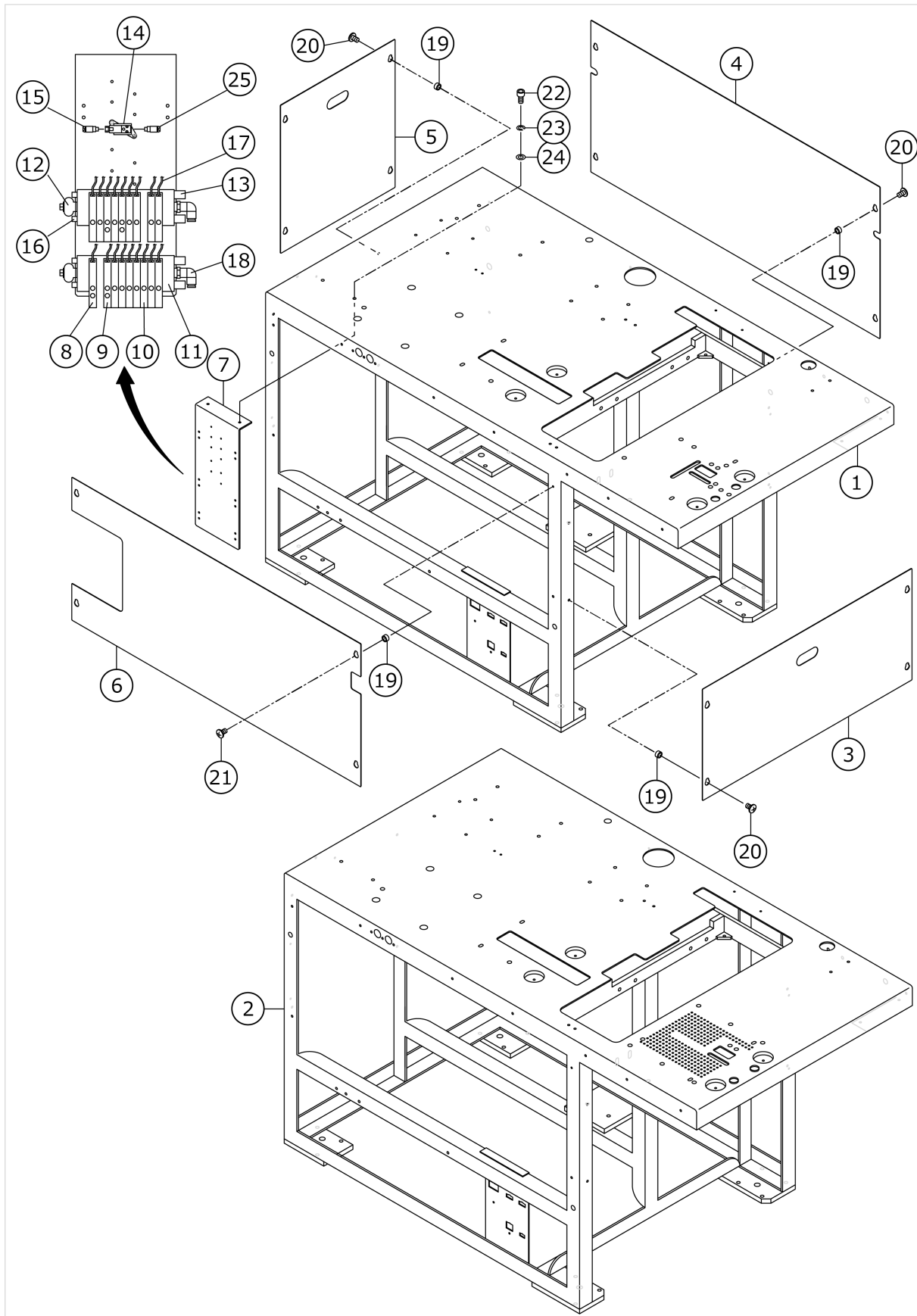


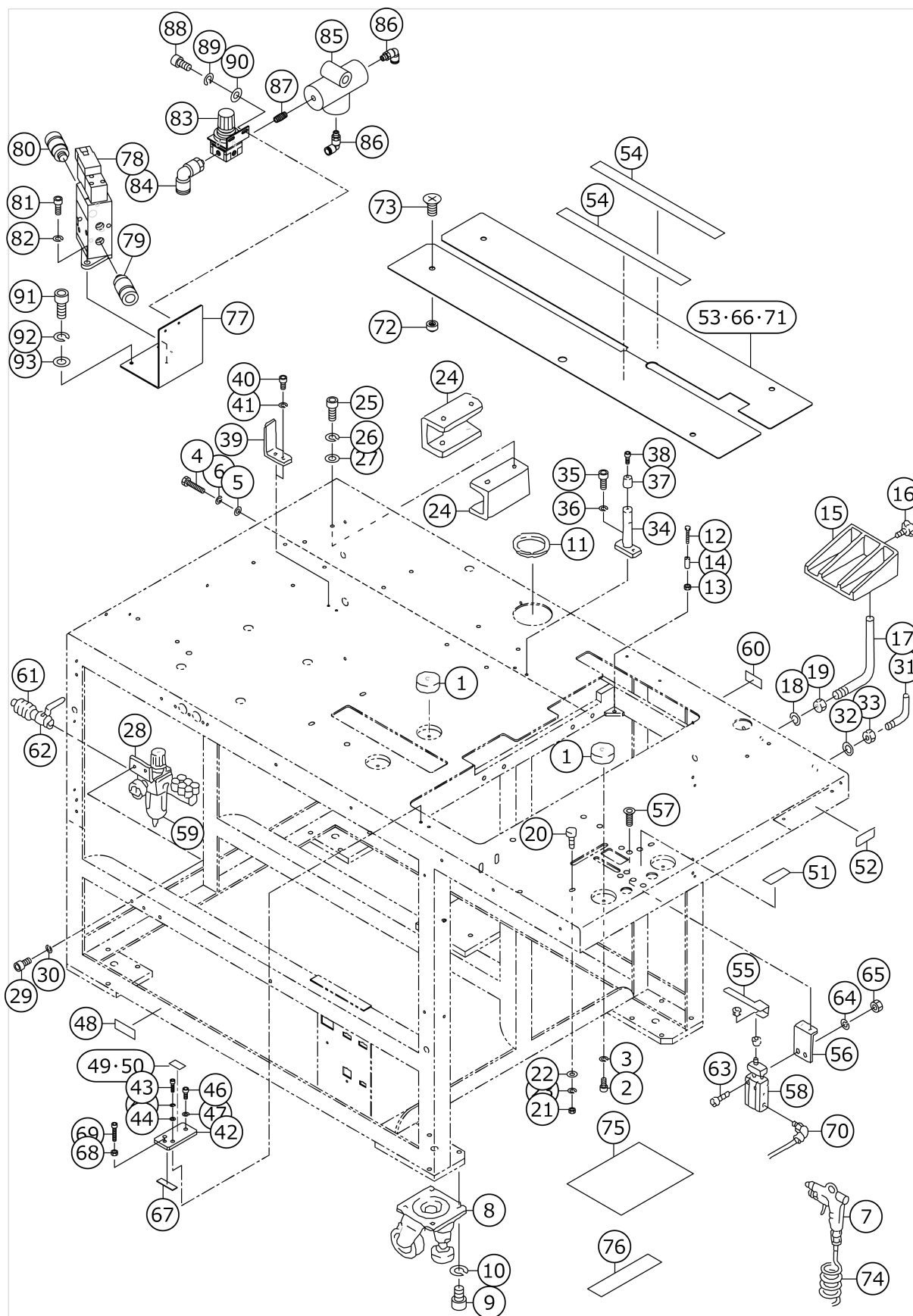
APW-196N

FRAME & COVER COMPONENTS (1)



No.	品番	品名	備考	子部品	消耗品	個数
1	25333501	FRAME 1				1.00
2	25333600	FRAME 1				1.00
3	25335506	FRONT COVER				1.00
4	25335407	RIGHT SIDE COVER				1.00
5	25335605	REAR COVER				1.00
6	25335308	LEFT SIDE COVER				1.00
7	25333709	SOLENOID VALVE (6)				1.00
8	PV150207000	5-WAY SOLENOID VALVE				1.00
9	PV150206000	5-PORT CUT-OVER SOLENOID VALVE				3.00
10	PV130202200	3-WAY SOLENOID VALVE				14.00
11	PV035148000	MANI HOLD				2.00
12	PJ309065101	UNIVERSAL EIBOW				2.00
13	PX055104000	SILENCER (PT1/8)				4.00
14	PV1305340A0	3-PORT CUT-OVER SOLENOID VALVE				1.00
15	PJ210004200	HALF UNION				2.00
16	PJ025400001	PLUG				4.00
17	25360959	OUTPUT CABLE ASM.				1.00
18	PJ304065101	ELBOW UNION 6XPT1/8				2.00
19	16676207	COLLAR				17.00
20	SM0050801SC	SCREW				17.00
21	SM0050801SC	SCREW				4.00
22	SM6051002TP	SCREW M5X0.8 L=10				2.00
23	WS0510002KN	SPRING WASHER				2.00
24	WP0531001SC	WASHER				2.00
25	PJ210006100	HALF UNION				1.00

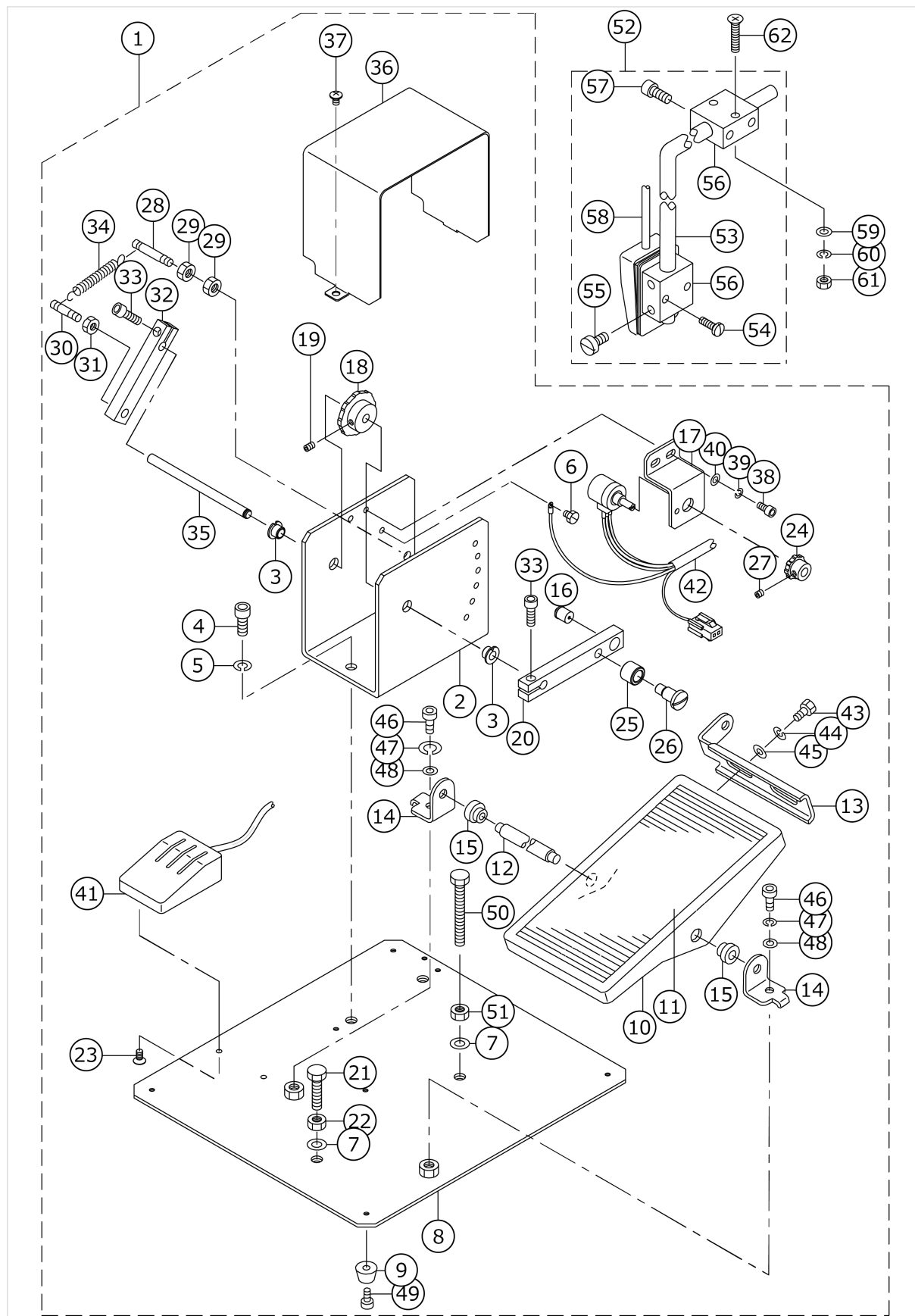
FRAME & COVER COMPONENTS (2)



No.	品番	品名	備考	子部品	消耗品	個数
1	16722803	SPRING L				4.00
2	SM6040802TP	SCREW M4X0.7 L=8				4.00
3	WS0410002KN	SPRING WASHER				4.00
4	SM9084003SC	SCREW M8 L=40				4.00
5	WP0841600SC	WASHER				4.00
6	WS0820002KN	SPRING WASHER M8				4.00
7	16838609	AIR GUN				1.00
8	G1147198000	CASTER				1.00
9	SM6081202TP	SCREW M8 L=12				16.00
10	WS0820002KN	SPRING WASHER M8				16.00
11	18585000	FREE BUSHING				1.00
12	25299504	ADJUSTING BOLT				4.00
13	NM6060001SC	NUT M6				4.00
14	G5058116B00	COLLAR				4.00
15	16806507	CLOTH RECEIVER				1.00
16	16838500	WING SCREW				1.00
17	16806614	CLOTH RECEIVER FASTENER ASM.				1.00
18	WP1221016SP	WASHER				1.00
19	NM6120001SE	NUT M12				1.00
20	16675308	POSITIONING PIN				4.00
21	NM6050001SC	NUT M5				4.00
22	WP0531001SC	WASHER				4.00
23	WS0510002KN	SPRING WASHER				4.00
24	18556308	BRACKET				2.00
25	SM6061552TP	SCREW M6 L=15				8.00
26	WS0610002KN	SPRING WASHER 6.1X12.2X1.5				8.00
27	WP0641601SC	WASHER				8.00
28	16913907	FILTER BRACET				1.00
29	SM6051002TP	SCREW M5X0.8 L=10				2.00
30	WS0510002KN	SPRING WASHER				2.00
31	16808404	HOOK				1.00
32	WP0531001SC	WASHER				1.00
33	NM6050001SC	NUT M5				1.00
34	25297508	SUPPORT SHAFT				1.00
35	SM6051202TP	SCREW M5X0.8 L=12				2.00
36	WS0510002KN	SPRING WASHER				2.00
37	25320904	RUBBER FOOT				1.00
38	SM6030802TP	SCREW M3X0.5 L=8				1.00
39	25299801	BRACKET				1.00
40	SM6040802TP	SCREW M4X0.7 L=8				2.00
41	WS0410002KN	SPRING WASHER				2.00
42	25336405	FIXED BRACKET				1.00
43	SM6052002TP	SCREW M5 L=20				2.00
44	WP0531001SC	WASHER				2.00
45	WS0510002KN	SPRING WASHER				2.00
46	SM6061552TP	SCREW M6 L=15				1.00
47	WS0610002KN	SPRING WASHER 6.1X12.2X1.5				1.00
48	16870206	GRAVITY SEAL				2.00
49	16880908	SEAL	SELECTIVE PARTS			1.00

50	16881005	SEAL	SELECTIVE PARTS			1.00
51	16881104	SEAL				1.00
52	25401803	NAME PLATE				1.00
53	25337015	SEWING TABLE (6)	FOR 8 ~ 12MM			1.00
54	25410408	SLIDE PROMOTING TAPE B				1.00
55	16914103	HAIR CLOTH PRESSER				1.00
56	16914202	CYLNDER INSTALLING PLATE				1.00
57	SM1051552TP	SCREW				2.00
58	PA1601507A0	CYLINDER				1.00
59	PF0152030A0	FILTER REGULATOR				1.00
60	CM500000001	POWER SOURCE INDICATION LABEL				1.00
61	G5403139000	QUICK COUPLING				1.00
62	G5430116000	AIR COCK				1.00
63	SM6043552TN	SCREW M4 L=35				2.00
64	WS0410002KN	SPRING WASHER				2.00
65	NM6040001SC	NUT M4				2.00
66	25337114	SEWING TABLE (6)	FOR 18.20MM			1.00
67	25336504	SHIM				1.00
68	NM6060001SC	NUT M6				1.00
69	SM6063002TP	SCREW M6 L=30				1.00
70	PJ304040504	ELBOW UNION				1.00
71	25374901	SEWING TABLE	FOR 14,16MM			1.00
72	G5023116000	POSITIONING BOSS				2.00
73	SM1040801SC	SCREW M4X0.7 L=8				2.00
74	G5458116000	CURLED TUBE				1.00
75	25376609	PROTECTION TAPE (1)				1.00
76	25376708	PROTECTION TAPE (2)				1.00
77	25377201	REGULATER BASE				1.00
78	PV1305341A0	3-WAY SOLENOID VALVE				1.00
79	PJ210006100	HALF UNION				1.00
80	PJ210004200	HALF UNION				1.00
81	SM6030802TP	SCREW M3X0.5 L=8				2.00
82	WS0310002KN	SPRING WASHER M3				2.00
83	PF0251070A0	REGULATER				1.00
84	PJ304065101	ELBOW UNION 6XPT1/8				1.00
85	PV205101000	SHUTTLE VALVE				1.00
86	PJ304045102	ELBOW UNION, C				2.00
87	PJ030510001	NIPPLE 1/8				1.00
88	SM6040802TP	SCREW M4X0.7 L=8				2.00
89	WS0410002KN	SPRING WASHER				2.00
90	WP0430801SC	WASHER 4.3X9X0.8				2.00
91	SM6051202TP	SCREW M5X0.8 L=12				2.00
92	WS0510002KN	SPRING WASHER				2.00
93	WP0531001SC	WASHER				2.00

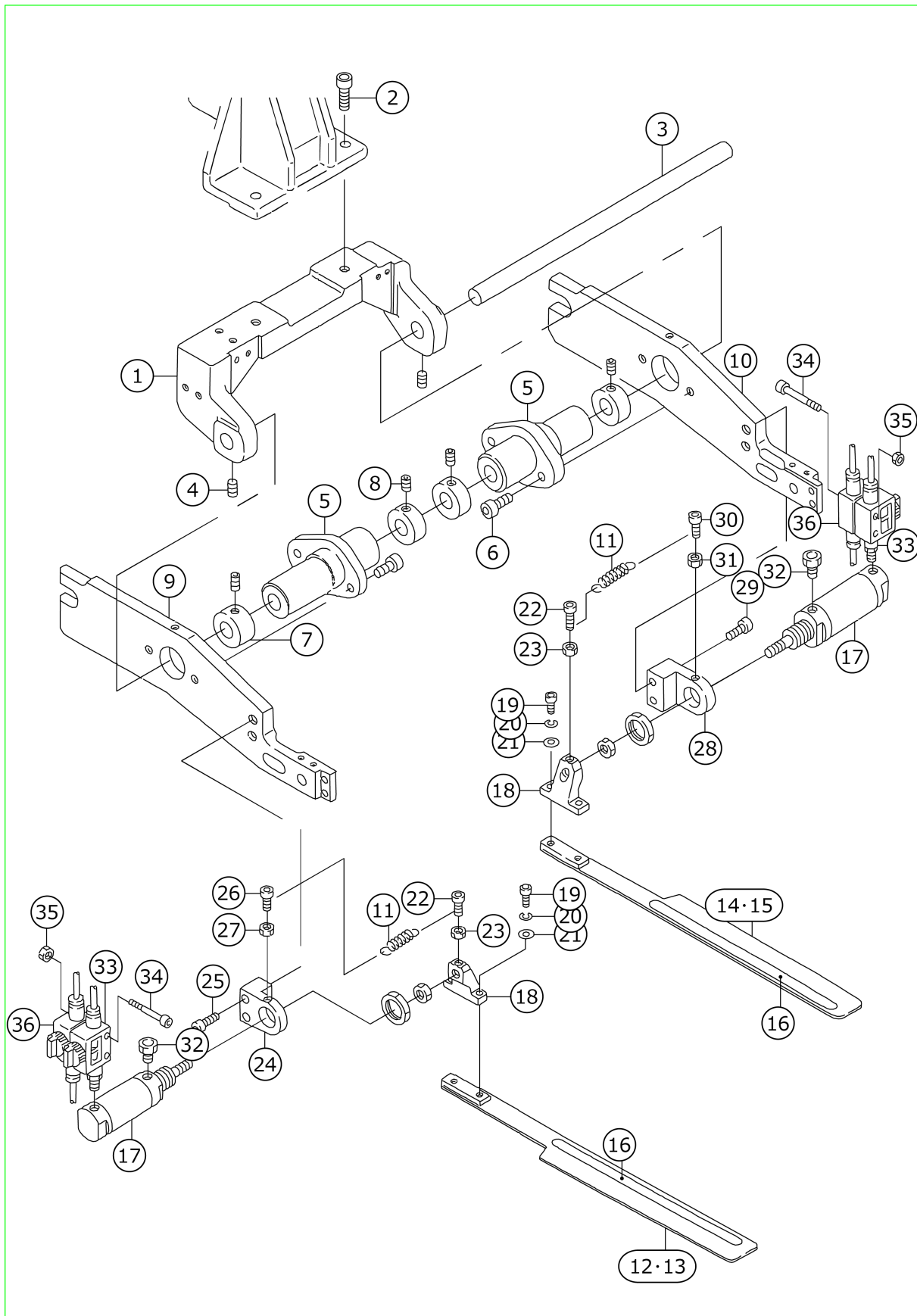
PEDAL SWITCH COMPONENTS



No.	品番	品名	備考	子部品	消耗品	個数
1	25363052	FOOT PEDAL ASM.				1.00
2	25363102	SWITCH BOX		*		1.00
3	25318601	DRY METAL		*		2.00
4	SM6061552TP	SCREW M6 L=15		*		2.00
5	WS0610002KN	SPRING WASHER 6.1X12.2X1.5		*		2.00
6	SM9040500SN	SCREW M4X0.7 L=5		*		2.00
7	WP0641601SC	WASHER		*		1.00
8	25363003	STEPPING PEDAL BASE		*		1.00
9	G5840116000	RUBBER FOOT		*		5.00
10	GPF06060000	PEDAL		*		1.00
11	GPF06070000	PEDAL MAT		*		1.00
12	B8153771000	PEDAL CONNECTING ROD		*		1.00
13	GPF06080000	PEDAL ADJUSTING PLATE		*		1.00
14	11159001	PEDAL SHAFT BRACKET		*		2.00
15	D8113555B00	PEDAL BUSHING		*		2.00
16	16838401	BALL PLUNGER		*		1.00
17	25363201	SWITCH BKT		*		1.00
18	25318502	GEAR (2)		*		1.00
19	SM8040602TP	SCREW M4X0.7 L=6		*		1.00
20	25363300	STEPPING LEVER		*		1.00
21	SM9062553SC	SCREW M6 L=25		*		1.00
22	NM6060001SC	NUT M6		*		1.00
23	ST1040851SR	SCREW M4 L=8		*		2.00
24	25318403	GEAR (1)		*		1.00
25	B2619372000	STOP MOTION TRIPPING LEVER CAM		*		1.00
26	SD0791051SP	HINGE SCREW D= 7.94 H=10.5		*		1.00
27	SM8040402TP	SCREW M4X0.7 L=4		*		1.00
28	G5075116000	ANCHOR		*		1.00
29	NM6060001SC	NUT M6		*		2.00
30	G5075116A00	ANCHOR		*		1.00
31	NM6060001SC	NUT M6		*		1.00
32	25363409	SPRING HANG ARM		*		1.00
33	SM6051552TP	SCREW M5 L=15		*		1.00
34	G5078116000	SWITCH SPRING		*		1.00
35	G6012880000	LINK SHAFT		*		1.00
36	25363508	BOX COVER		*		1.00
37	SM0040601SC	SCREW M4X0.7 L=6		*		2.00
38	SM6040802TP	SCREW M4X0.7 L=8		*		2.00
39	WS0410002KN	SPRING WASHER		*		2.00
40	WP0430800SC	WASHER M4		*		2.00
41	25326455	INTERLINING PRESSER SWITCH ASM		*		1.00
42	G85381950A0	STEPPING SWITCH CABLE ASM.		*		1.00
43	SM9061203SE	SCREW M6 L=12		*		2.00
44	WS0820002KN	SPRING WASHER M8		*		2.00
45	WP0841600SC	WASHER		*		2.00
46	SM6082002TP	SCREW M8 L=20		*		2.00
47	WS0820002KN	SPRING WASHER M8		*		2.00
48	WP0841600SC	WASHER		*		2.00
49	SM6040802TP	SCREW M4X0.7 L=8		*		5.00
50	SM9065003SC	SCREW M6 L=50		*		1.00

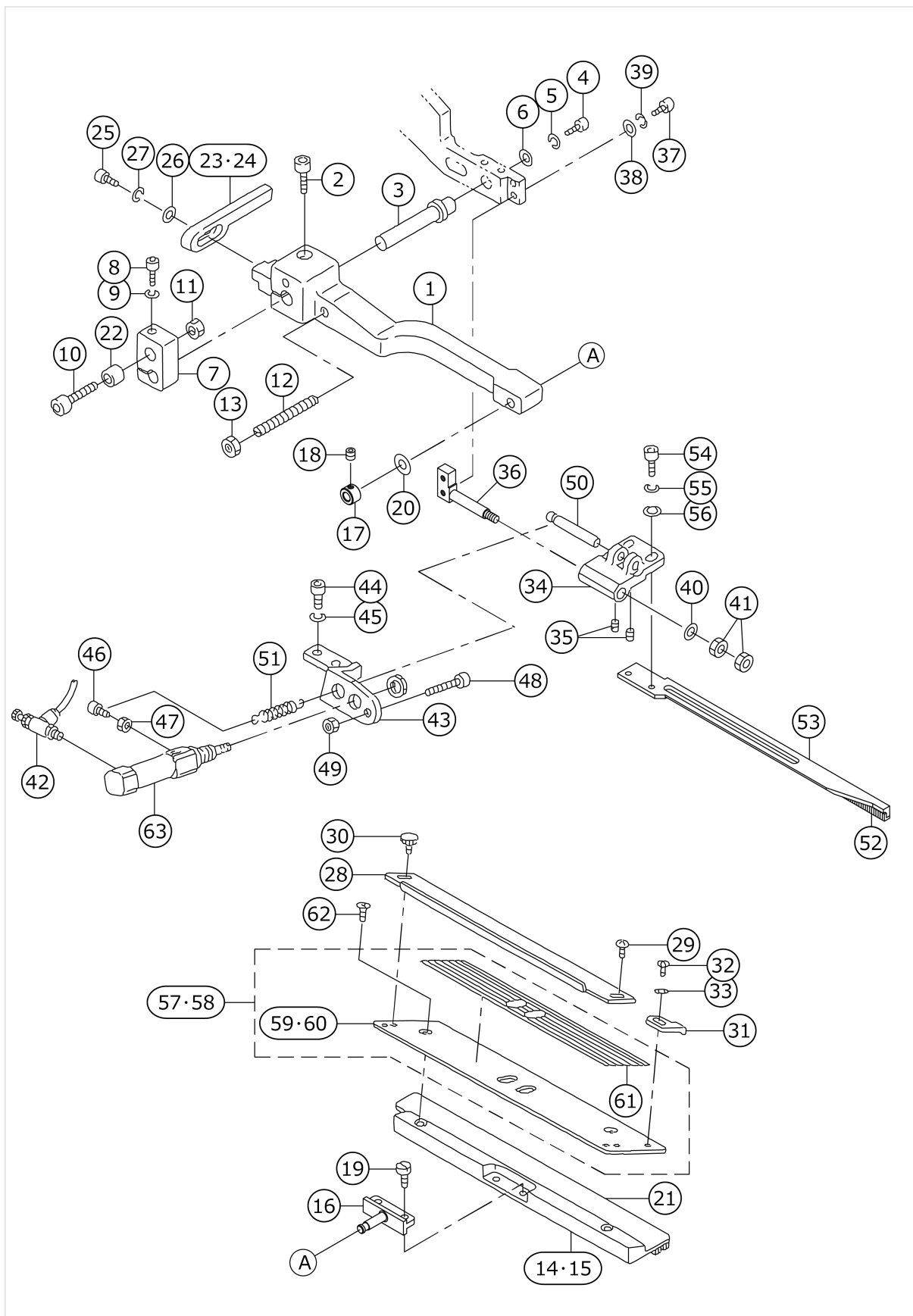
51	NM6060001SC	NUT M6		*		1.00
52	G85341950A0	KNEE SWITCH ASM.				1.00
53	G1018195000	SWITCH SUPPORT ARM		*		1.00
54	SS7111410SP	SCREW 11/64-40 L=14		*		2.00
55	SS6151220SP	SCREW 15/64-28 L=11.5		*		2.00
56	MAT80230T00	KNEE SWITCH SUPPORT BASE		*		2.00
57	SS6151412TP	SCREW 15/64-28 L=14		*		2.00
58	G85331950A0	KNEE SWITCH CABLE ASM.		*		1.00
59	WP0531001SC	WASHER				2.00
60	WS0510002KN	SPRING WASHER				2.00
61	NM6050001SC	NUT M5				2.00
62	SM1052501SP	SCREW M5X0.8 L=25				2.00

CLAMP FOOT COMPONENTS (1)



No.	品番	品名	備考	子部品	消耗品	個数
1	25299405	FULCRUM BASE				1.00
2	SM6061802TP	SCREW M6 L=18				2.00
3	16907701	SHAFT				1.00
4	SM8050602TP	SCREW M5 L=6				2.00
5	18550806	FULCRUM BOSS				2.00
6	SM6051802TP	SCREW M5 L=18				4.00
7	16908105	COLLAR				4.00
8	SM8050602TP	SCREW M5 L=6				4.00
9	25298100	PRESSER ARM,LEFT				1.00
10	25298209	PRESSER ARM,RIGHT				1.00
11	G5129116C00	SPRING				2.00
12	25298316	FOLDING PLATE,LEFT	SELECTIVE PARTS			1.00
13	25298514	FOLDING PLATE,LEFT	SELECTIVE PARTS			1.00
14	25298415	FOLDING PLATE ,RIGHT	SELECTIVE PARTS			1.00
15	25298613	FOLDING PLATE ,RIGHT	SELECTIVE PARTS			1.00
16	18559005	SHEET				2.00
17	G54021160A0	WELTING PATCH FOLDING CYL. ASM				2.00
18	G5132116000	CYLINDER EDGE				2.00
19	SM6041002TP	SCREW M4 L=10				4.00
20	WS0410002KN	SPRING WASHER				4.00
21	WP0430800SC	WASHER M4				4.00
22	SM6031202TP	SCREW M3X0.5 L=12				2.00
23	NM6030001SC	NUT M3				2.00
24	G5119116C00	FOLDING CYLINDER BRACKET,LEFT				1.00
25	SM6051402TP	SCREW M5X0.8 L=14				2.00
26	SM6031202TP	SCREW M3X0.5 L=12				1.00
27	NM6030001SC	NUT M3				1.00
28	G5119116D00	FOLDING CYLINDER BRACKET,RIGHT				1.00
29	SM6051402TP	SCREW M5X0.8 L=14				2.00
30	SM6031202TP	SCREW M3X0.5 L=12				1.00
31	NM6030001SC	NUT M3				1.00
32	PX055101000	ELEMENT				2.00
33	PV015118000	VALVE				2.00
34	SM6044002TP	SCREW				4.00
35	NM6040001SC	NUT M4				4.00
36	PV010011000	VALVE				2.00

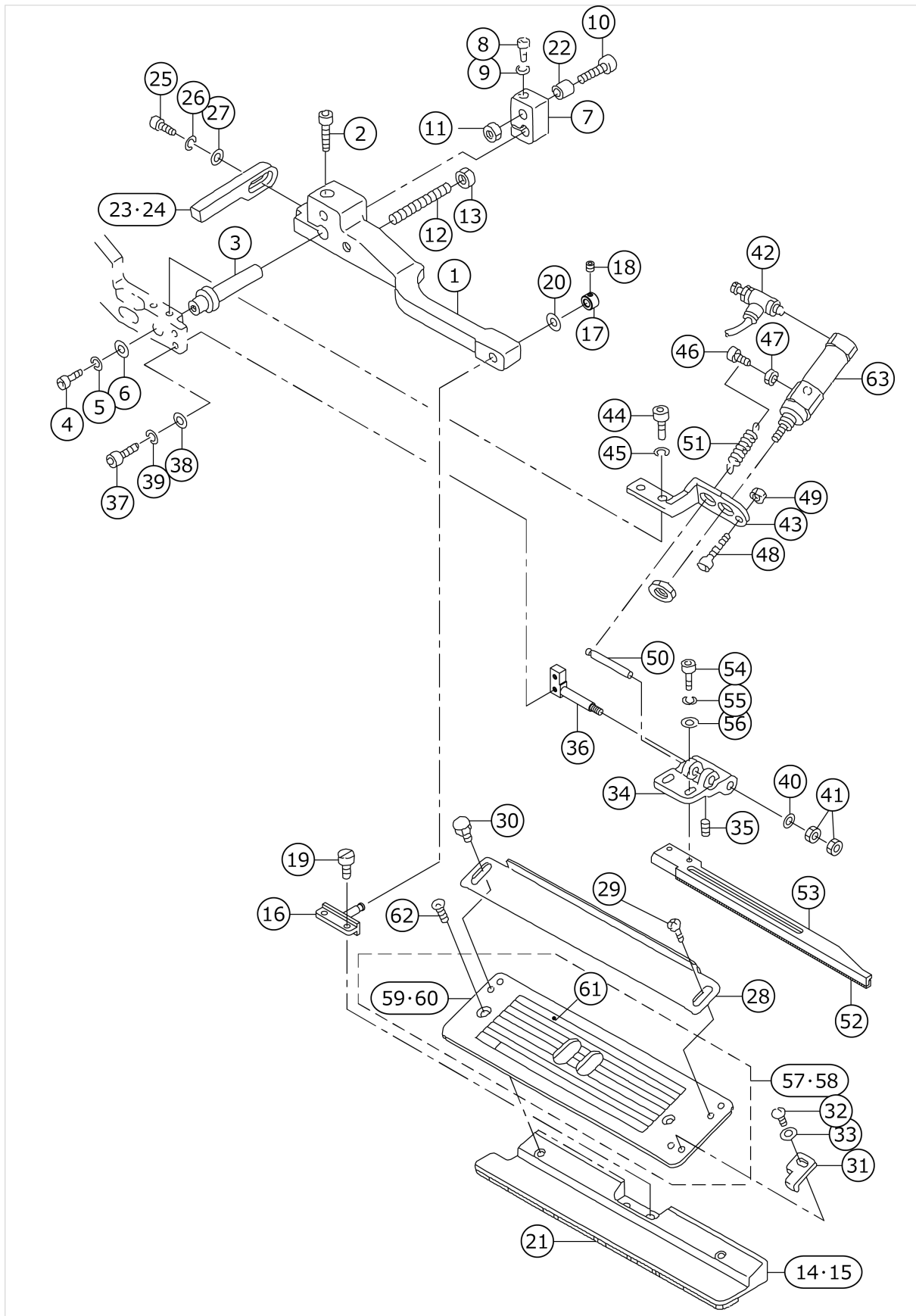
CLAMP FOOT (LEFT SIDE) COMPONENTS (2)



No.	品番	品名	備考	子部品	消耗品	個数
1	G5109117000	SUPPORT ARM, LEFT				1.00
2	SM6062002TP	SCREW M6 L=20				1.00
3	G5146119A00	SLIDING SHAFT A				1.00
4	SM6051202TP	SCREW M5X0.8 L=12				1.00
5	WS0510002KN	SPRING WASHER				1.00
6	G5108119000	WASHER				1.00
7	G5124117A00	SLIDING METAL				1.00
8	SM6053002TP	SCREW M5X0.8 L=30				1.00
9	WS0510002KN	SPRING WASHER				1.00
10	18568204	ADJUSTING BOLT				1.00
11	NM6060001SC	NUT M6				1.00
12	G5122117000	SUPPORT ARM STOPPER				1.00
13	NM6050001SC	NUT M5				1.00
14	16809204	GARMENT CLAMP, LEFT G=8-14	SELECTIVE PARTS			1.00
15	16809402	GARMENT CLAMP, LEFT G=16-20	SELECTIVE PARTS			1.00
16	16807117	GARMENT CLAMP FULCULUM PIN				1.00
17	25377300	SET COLLAR				1.00
18	SM8040402TP	SCREW M4X0.7 L=4				1.00
19	SS7110840SP	SCREW 11/64-40 L=7.8				2.00
20	WP0450801SD	WASHER 4.5X10X0.8				1.00
21	16778409	GARMENT CLAMP RUBBER, LEFT				1.00
22	G5126117000	SPACER				1.00
23	G5131116C00	FOLDING PLATE STOPPER, LEFT	SELECTIVE PARTS			1.00
24	G5131116D00	STOPPER, LEFT	SELECTIVE PARTS			1.00
25	SM6041202TP	SCREW M4X0.7 L=12				1.00
26	WS0410002KN	SPRING WASHER				1.00
27	WP0430800SC	WASHER M4				1.00
28	G5140116000	FLAP SCALE				1.00
29	SM5040451SC	SCREW M4X0.7 L=4				2.00
30	G5847116000	KNOB SCREW				2.00
31	G5123117000	FLAP STOPPER A				1.00
32	SM4030401SC	SCREW M3X0.5 L=4				1.00
33	WP0320500SC	WASHER M3				1.00
34	G5150116C00	FLAP PRESSER ARM, LEFT				1.00
35	SM8030502TP	SCREW M3 L=5				2.00
36	G5151116C00	FLAP PRESSER FULCRUM SHAFT				1.00
37	SM6041202TP	SCREW M4X0.7 L=12				2.00
38	WP0430800SC	WASHER M4				2.00
39	WS0410002KN	SPRING WASHER				2.00
40	WP0430800SC	WASHER M4				1.00
41	NM6040001SC	NUT M4				2.00
42	PC010507000	SPEED CONTROLLER				1.00
43	G5147116C00	CYLINDER BRACKET, LEFT				1.00
44	SM6051202TP	SCREW M5X0.8 L=12				2.00
45	WS0510002KN	SPRING WASHER				2.00
46	SM6031002TP	HEXAGONAL BOLT M3 X 10				1.00

47	NM6030001SC	NUT M3				1.00
48	SM6042502TP	SCREW M4X0.7 L=25				1.00
49	NM6040001SC	NUT M4				1.00
50	G5148116C00	PIN				1.00
51	16701005	SPRING				1.00
52	G5143116A00	FLAP PRESSER RUBBER SOLE				1.00
53	G5154116C00	FLAP PRESSER, LEFT				1.00
54	SM6041002TP	SCREW M4 L=10				2.00
55	WS0410002KN	SPRING WASHER				2.00
56	WP0430800SC	WASHER M4				2.00
57	25298753	FLAP BASE ASM., LEFT	SELECTIVE PARTS			1.00
58	25332156	FLAP BASE ASM., LEFT	SELECTIVE PARTS			1.00
59	25298704	FLAP BASE PLATE,LEFT	SELECTIVE PARTS	*		1.00
60	25332107	FLAP BASE PLATE,LEFT	SELECTIVE PARTS	*		1.00
61	25299108	SCALE SEAL		*		1.00
62	SM1040601SC	SCREW M4X0.7 L=6				2.00
63	G5410116AA0	CYLINDER				1.00

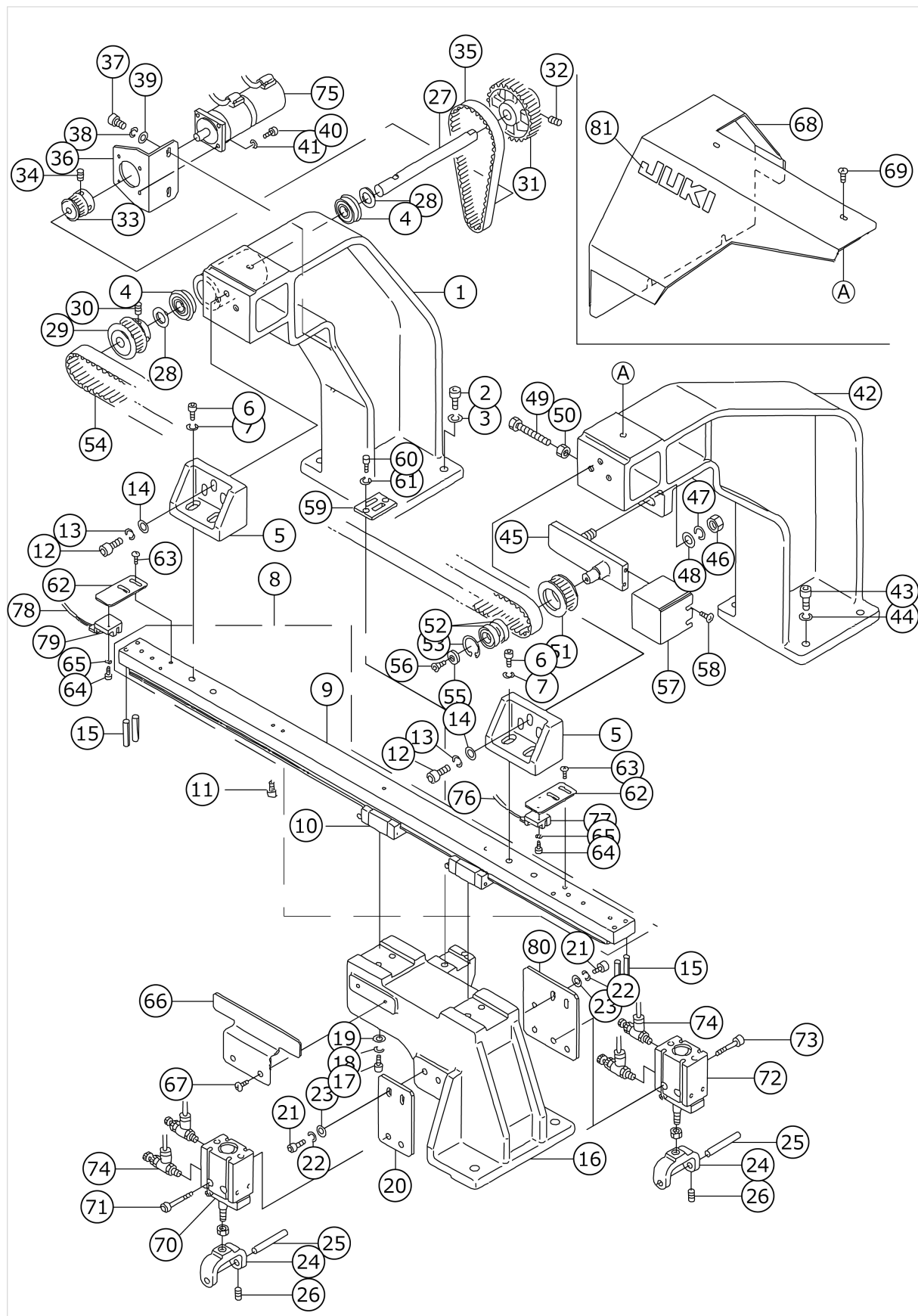
CLAMP FOOT (RIGHT SIDE) COMPONENTS (3)



No.	品番	品名	備考	子部品	消耗品	個数
1	G5110117000	SUPPORT ARM, RIGHT				1.00
2	SM6062002TP	SCREW M6 L=20				1.00
3	G5146119A00	SLIDING SHAFT A				1.00
4	SM6051202TP	SCREW M5X0.8 L=12				1.00
5	WS0510002KN	SPRING WASHER				1.00
6	G5108119000	WASHER				1.00
7	G5125117A00	SLIDING METAL				1.00
8	SM6053002TP	SCREW M5X0.8 L=30				1.00
9	WS0510002KN	SPRING WASHER				1.00
10	18568204	ADJUSTING BOLT				1.00
11	NM6060001SC	NUT M6				1.00
12	G5122117000	SUPPORT ARM STOPPER				1.00
13	NM6050001SC	NUT M5				1.00
14	16809303	GARMENT CLAMP, G=8-14	SELECTIVE PARTS			1.00
15	16809501	GARMENT CLAMP, RIGHT G=16-20	SELECTIVE PARTS			1.00
16	16807117	GARMENT CLAMP FULCULUM PIN				1.00
17	25377300	SET COLLAR				1.00
18	SM8040402TP	SCREW M4X0.7 L=4				1.00
19	SS7110840SP	SCREW 11/64-40 L=7.8				2.00
20	WP0450801SD	WASHER 4.5X10X0.8				1.00
21	16778508	GARMENT CLAMP RUBBER, RIGHT				1.00
22	G5126117000	SPACER				1.00
23	G5130116C00	FOLDING PLATE STOPPER,RIGHT	SELECTIVE PARTS			1.00
24	G5130116D00	FOLDING PLATE STOPPER, RIGHT A	SELECTIVE PARTS			1.00
25	SM6041202TP	SCREW M4X0.7 L=12				1.00
26	WS0410002KN	SPRING WASHER				1.00
27	WP0430800SC	WASHER M4				1.00
28	G5140116000	FLAP SCALE				1.00
29	SM5040451SC	SCREW M4X0.7 L=4				2.00
30	G5847116000	KNOB SCREW				2.00
31	G5124117000	FLAP STOPPER B				1.00
32	SM4030401SC	SCREW M3X0.5 L=4				1.00
33	WP0320500SC	WASHER M3				1.00
34	G5149116C00	FLAP PRESSER ARM, RIGHT				1.00
35	SM8030502TP	SCREW M3 L=5				2.00
36	G5151116C00	FLAP PRESSER FULCRUM SHAFT				1.00
37	SM6041202TP	SCREW M4X0.7 L=12				2.00
38	WP0430800SC	WASHER M4				2.00
39	WS0410002KN	SPRING WASHER				2.00
40	WP0430800SC	WASHER M4				1.00
41	NM6040001SC	NUT M4				2.00
42	PC010507000	SPEED CONTROLLER				1.00
43	G5147116D00	CYLINDER BRACKET, RIGHT				1.00
44	SM6051202TP	SCREW M5X0.8 L=12				2.00
45	WS0510002KN	SPRING WASHER				2.00
46	SM6031002TP	HEXAGONAL BOLT M3 X 10				1.00

47	NM6030001SC	NUT M3				1.00
48	SM6042502TP	SCREW M4X0.7 L=25				1.00
49	NM6040001SC	NUT M4				1.00
50	G5148116C00	PIN				1.00
51	16701005	SPRING				1.00
52	G5143116A00	FLAP PRESSER RUBBER SOLE				1.00
53	G5141116C00	FLAP PRESSER, RIGHT				1.00
54	SM6041002TP	SCREW M4 L=10				2.00
55	WS0410002KN	SPRING WASHER				2.00
56	WP0430800SC	WASHER M4				2.00
57	25298852	FLAP BASE ASM., RIGHT	SELECTIVE PARTS			1.00
58	25332255	FLAP BASE ASM., RIGHT	SELECTIVE PARTS			1.00
59	25298803	FLAP BASE PLATE,RIGHT	SELECTIVE PARTS	*		1.00
60	25332206	FLAP BASE PLATE,RIGHT	SELECTIVE PARTS	*		1.00
61	25299108	SCALE SEAL		*		1.00
62	SM1040601SC	SCREW M4X0.7 L=6				2.00
63	G5410116AA0	CYLINDER				1.00

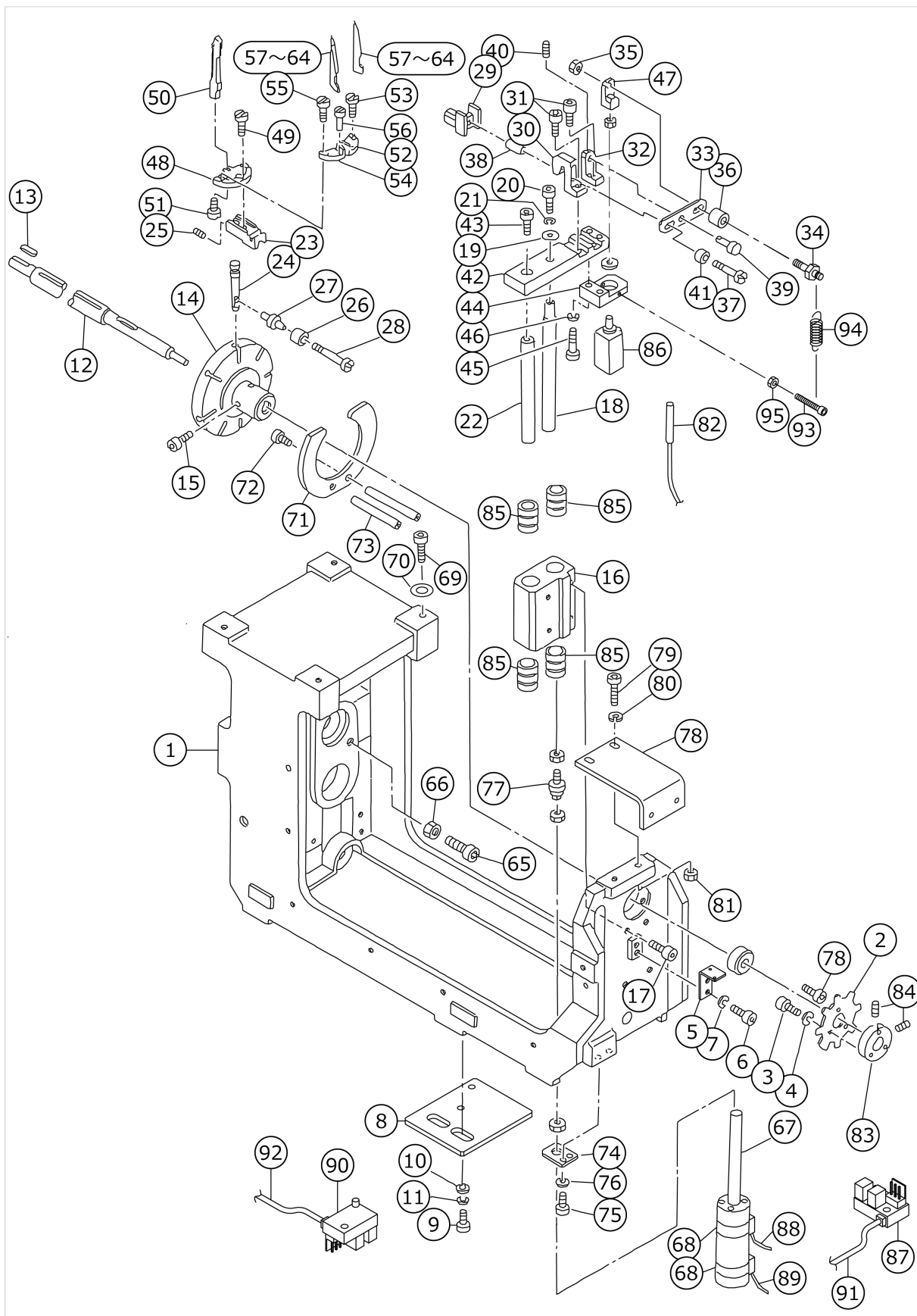
CLAMP FOOT FEED COMPONENTS



No.	品番	品名	備考	子部品	消耗品	個数
1	25302100	STAND,REAR				1.00
2	SM6063002TP	SCREW M6 L=30				4.00
3	WS0610002KN	SPRING WASHER 6.1X12.2X1.5				4.00
4	18585208	BEARING				2.00
5	25302209	RAIL FITTING BRACKET				2.00
6	SM6062002TP	SCREW M6 L=20				6.00
7	WS0610002KN	SPRING WASHER 6.1X12.2X1.5				6.00
8	25334152	LM GUIDE FITTING BASE ASM.				1.00
9	25334103	LM GUIDE FITTING BASE (6)		*		1.00
10	25334004	LM GUIDE (6)		*		1.00
11	SM6052002TP	SCREW M5 L=20				7.00
12	SM6062002TP	SCREW M6 L=20				4.00
13	WS0610002KN	SPRING WASHER 6.1X12.2X1.5				4.00
14	WP0641601SC	WASHER				4.00
15	PS0500302KH	SPRING PIN 5X30				4.00
16	25302407	SLIDE BASE				1.00
17	SM6052002TP	SCREW M5 L=20				4.00
18	WS0510002KN	SPRING WASHER				4.00
19	WP0531001SC	WASHER				4.00
20	25302506	CYLINDER BRACKET				1.00
21	SM6051552TP	SCREW M5 L=15				4.00
22	WS0510002KN	SPRING WASHER				4.00
23	WP0531001SC	WASHER				4.00
24	16907800	LIFTING BLOCK				2.00
25	16934200	SHAFT				2.00
26	SM8040602TP	SCREW M4X0.7 L=6				2.00
27	25302704	SHAFT				1.00
28	B182024600A	WASHER A				2.00
29	25302803	DRIVING PULLEY				1.00
30	SM8050602TP	SCREW M5 L=6				2.00
31	25302902	TIMING PULLEY(A)				1.00
32	SM8050802TP	SCREW M5X0.8 L=8				2.00
33	18568006	TIMING PULLEY(N)				1.00
34	SM8040602TP	SCREW M4X0.7 L=6				2.00
35	16934507	BELT				1.00
36	25302605	MOTOR FITTING BRACKET				1.00
37	SM6052002TP	SCREW M5 L=20				2.00
38	WS0510002KN	SPRING WASHER				2.00
39	WP0531001SC	WASHER				2.00
40	SM6031002TP	HEXAGONAL BOLT M3 X 10				4.00
41	WS0310002KN	SPRING WASHER M3				4.00
42	25302001	STAND,FRONT				1.00
43	SM6063002TP	SCREW M6 L=30				4.00
44	WS0610002KN	SPRING WASHER 6.1X12.2X1.5				4.00
45	25303108	FULCRUM BRACKET				1.00
46	NM6100001SC	NUT M10X1.5				1.00
47	WS1020002KN	SPRING WASHER M10				1.00
48	WP1052001SC	WASHER 10,5X21X2				1.00
49	SM6054502TP	SCREW M5X0.8 L=45				1.00
50	NM6050001SC	NUT M5				1.00

51	18550400	FOLLOW PULLEY				1.00
52	16720005	BEARING				2.00
53	RC2421211KP	RETAINING RING				1.00
54	25334202	TIMING BELT				1.00
55	16725905	WASHER				1.00
56	SM1051001SC	SCREW M5 L=10				1.00
57	25303207	PULLEY COVER				1.00
58	SM0040601SC	SCREW M4X0.7 L=6				2.00
59	25303306	BELT CLAMP PLATE				1.00
60	SM6051002TP	SCREW M5X0.8 L=10				2.00
61	WS0510002KN	SPRING WASHER				2.00
62	25303405	SENSOR BRACKET				2.00
63	SM0040601SC	SCREW M4X0.7 L=6				4.00
64	SM6030802TP	SCREW M3X0.5 L=8				2.00
65	WS0310002KN	SPRING WASHER M3				2.00
66	25303504	SENSOR PLATE				1.00
67	SM0040601SC	SCREW M4X0.7 L=6				2.00
68	25333907	TOP COVER (6)				1.00
69	SM0050801SC	SCREW				4.00
70	PA2501002A0	CYLINDER, LEFT				1.00
71	SM6053002TP	SCREW M5X0.8 L=30				2.00
72	PA2501003A0	CYLINDER, RIGHT				1.00
73	SM6053002TP	SCREW M5X0.8 L=30				2.00
74	PC010508000	SPEED CONTROLLER				4.00
75	HM001310000	SERVO MOTOR				1.00
76	G85161950A0	CABLE ASM.				1.00
77	HD00057000A	PHOTO SENSOR				1.00
78	G85171950A0	CABLE ASM.				1.00
79	HD00057000A	PHOTO SENSOR				1.00
80	25305905	PLATE BASE FITTING BRACKET (1)				1.00
81	G8220870000	BRAND MARK				1.00

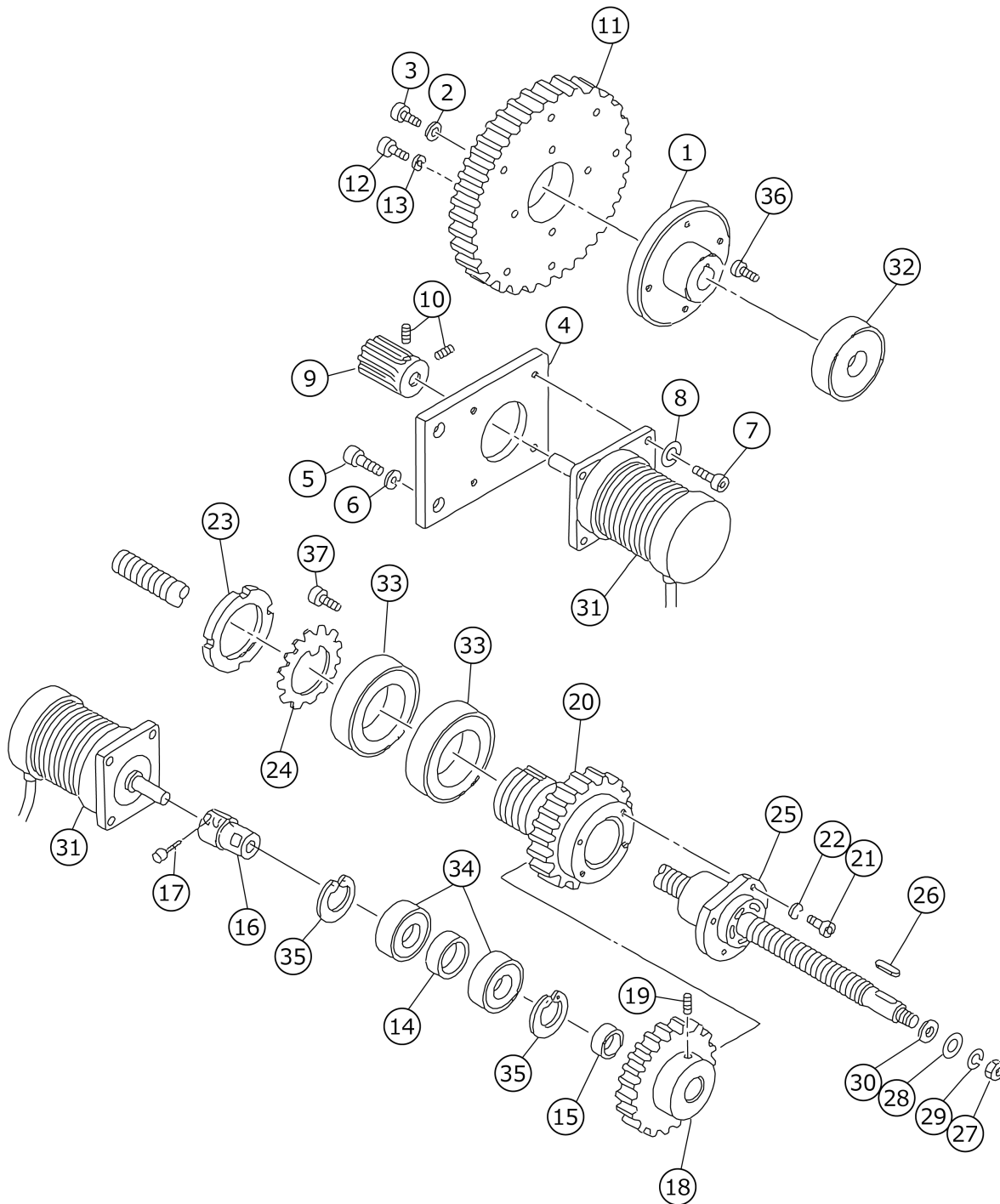
CORNER KNIFE COMPONENTS (1)



No.	品番	品名	備考	子部品	消耗品	個数
1	18560409	CORNER KNIFE BRACKET				1.00
2	16600504	SENSOR SLIT				1.00
3	SM6031002TP	HEXAGONAL BOLT M3 X 10				3.00
4	WS0310002KN	SPRING WASHER M3				3.00
5	25336603	SENSOR BRACKET				1.00
6	SM6051002TP	SCREW M5X0.8 L=10				2.00
7	WS0510002KN	SPRING WASHER				2.00
8	25334400	SENSOR BRACKET (6)				1.00
9	SM6051002TP	SCREW M5X0.8 L=10				2.00
10	WP0531000SC	WASHER 5.3X10X1				2.00
11	WS0510002KN	SPRING WASHER				2.00
12	16601106	BALL SPLINE				1.00
13	16721904	KEY				1.00
14	16604308	KNIFE BASE WHEEL A				1.00
15	SM6061002TP	SCREW M6 L=10				2.00
16	18555300	CORNER KNIFE BRACKET				1.00
17	SM6052002TP	SCREW M5 L=20				2.00
18	16604514	GUIDE SHAFT (A)				1.00
19	16724403	WASHER				1.00
20	SM6051202TP	SCREW M5X0.8 L=12				1.00
21	WS0510002KN	SPRING WASHER				1.00
22	16604605	GUIDE SHAFT B				1.00
23	16604902	KNIFE BASE				7.00
24	16605008	KNIFE BASE GUIDE BAR				7.00
25	SM8040502TP	SCREW M4X0.7 L=5				14.00
26	16605107	ROLLER				7.00
27	16605206	ROLLER BOSS				7.00
28	16605305	ROLLER PIN				7.00
29	16605503	CHUCK B				1.00
30	16605602	CHUCK BRACKET				1.00
31	SM6052002TP	SCREW M5 L=20				4.00
32	16605701	LOCK BRACKET				1.00
33	16605800	LEVER				1.00
34	16605909	PIN A				1.00
35	NM6060001SC	NUT M6				1.00
36	16606006	COLLAR A				1.00
37	16606105	PIN B				1.00
38	16606204	COLLAR B				1.00
39	16606303	PIN C				1.00
40	SM8050812TP	SCREW M5X8				1.00
41	16606402	COLLAR				1.00
42	16606501	CHUCK BASE				1.00
43	SM6082002TP	SCREW M8 L=20				1.00
44	16606709	CYLINDER BASE				1.00
45	SM6052002TP	SCREW M5 L=20				2.00
46	WS0510002KN	SPRING WASHER				2.00
47	16606808	CONNECTING BLOCK				1.00
48	16606907	KNIFE HOLDER BASE				7.00
49	SS7111120SP	SCREW 11/64-40 L=10.5				7.00
50	16607004	KNIFE GUIDE				7.00

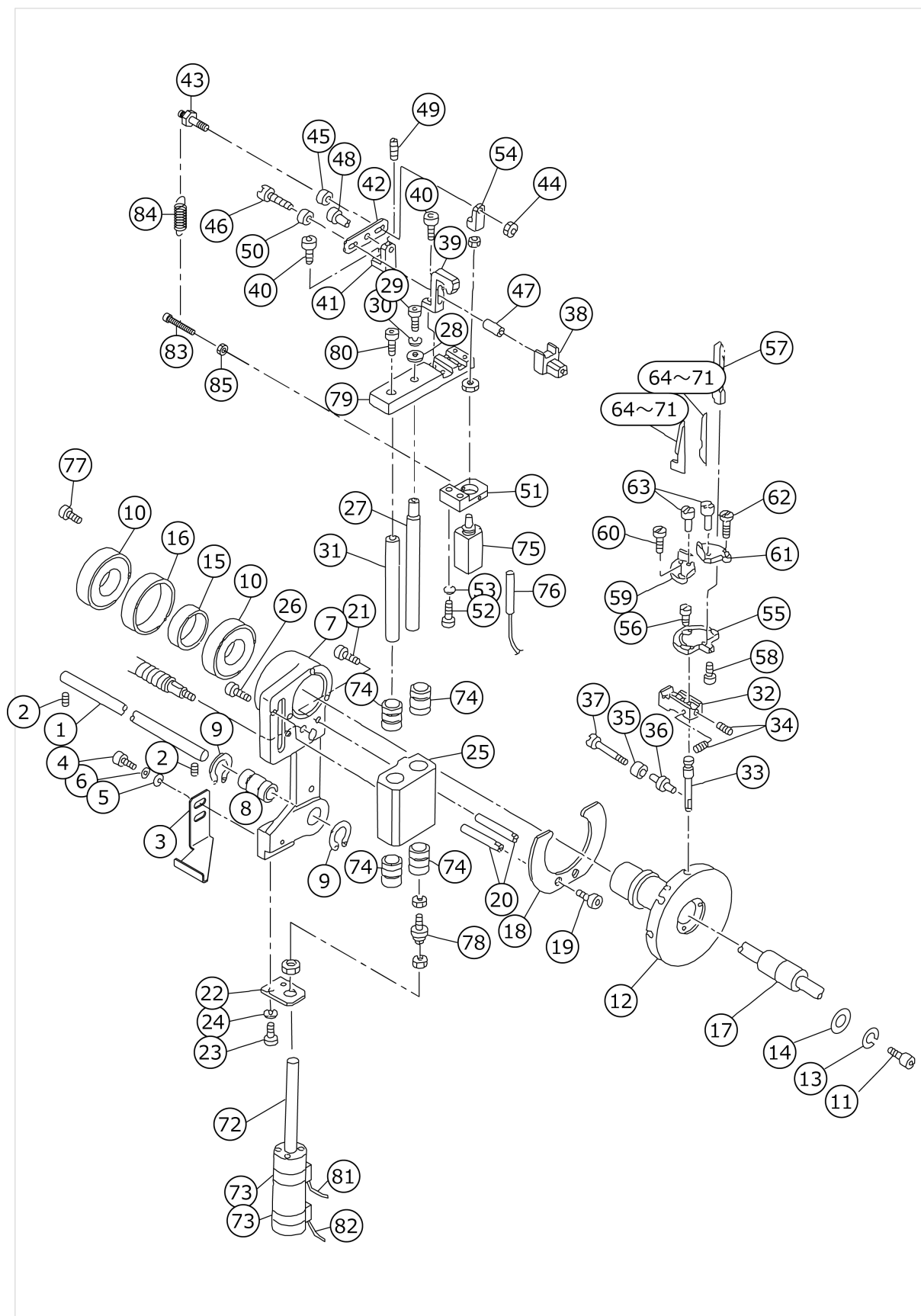
51	SS4080620TP	SCREW 1/8-44 L=6				7.00
52	16607103	KNIFE HOLDER A				7.00
53	SS6081210SP	SCREW 1/8-44 L=12				7.00
54	16607202	KNIFE HOLDER B				7.00
55	SS6080210SP	SCREW 1/8-44 L=2				7.00
56	G5279117000	ECCENTRIC PIN				14.00
57	16607301	CORNER KNIFE A1	GAUGE PART			7.00
58	16607400	CORNER KNIFE A2	GAUGE PART			7.00
59	16607509	CORNER KNIFE (B-1)	GAUGE PART			1.00
60	16607608	CORNER KNIFE (B-2)	GAUGE PART			1.00
61	16607905	CORNER KNIFE(D-1)	GAUGE PART			1.00
62	16608002	CORNER KNIFE(D-2)	GAUGE PART			1.00
63	16608101	CORNER KNIFE (E-1)	GAUGE PART			1.00
64	16608200	CORNER KNIFE (E-2)	GAUGE PART			1.00
65	SM6055502TP	SCREW M5X0.8 L=55				1.00
66	NM6050001SC	NUT M5				1.00
67	PA2007003A0	AIR CYLINDER				1.00
68	18588103	BAND				2.00
69	SM6082502TP	SCREW M8 L=25				4.00
70	16677205	WASHER				4.00
71	16604001	KNIFE BASE GUIDE				1.00
72	16718801	SCREW				2.00
73	16604100	GUIDE STUD				2.00
74	16604209	CYLINDER BRACKET				1.00
75	SM6051552TP	SCREW M5 L=15				2.00
76	WS0510002KN	SPRING WASHER				2.00
77	PA900063000	FLOATING JOINT				1.00
78	25334509	FRAME RECEIVING BRACKET (6)				1.00
79	SM9062003SC	SCREW M6 L=20				2.00
80	WS0610002KN	SPRING WASHER 6.1X12.2X1.5				2.00
81	NM6060001SC	NUT M6				2.00
82	25358151	CABLE ASM.				1.00
83	16603201	SENSOR BOSS				1.00
84	SM8040602TP	SCREW M4X0.7 L=6				2.00
85	16725004	LINEAR BUSHING				4.00
86	PA1502003A0	PIN CYLINDER				1.00
87	HD00057000A	PHOTO SENSOR				1.00
88	25322454	SENSOR CABLE ASM.				1.00
89	25322256	SENSOR CABLE ASM.				1.00
90	HD00057000A	PHOTO SENSOR				1.00
91	G85191950A0	SENSOR ASM.				1.00
92	G85121960A0	SENSOR ASM.				1.00
93	SM6032002TP	SCREW M3X0.5 L=20				1.00
94	25403205	SPRING				1.00
95	NM6030001SC	NUT M3				1.00

CORNER KNIFE COMPONENTS (2)



No.	品番	品名	備考	子部品	消耗品	個数
1	16601304	GEAR INSTALLING BOSS				1.00
2	16724106	WASHER				1.00
3	SM6051202TP	SCREW M5X0.8 L=12				1.00
4	16601403	MOTOR BRACKET				1.00
5	SM6061552TP	SCREW M6 L=15				2.00
6	WS0610002KN	SPRING WASHER 6.1X12.2X1.5				2.00
7	SM6041002TP	SCREW M4 L=10				4.00
8	WS0410002KN	SPRING WASHER				4.00
9	16601502	PINION GEAR				1.00
10	SM8050602TP	SCREW M5 L=6				2.00
11	16601619	GEAR				1.00
12	SM6052002TP	SCREW M5 L=20				4.00
13	WS0510002KN	SPRING WASHER				4.00
14	16602302	BEARING COLLAR				1.00
15	16602401	BEARING COLLAR				1.00
16	18559609	GEAR SHAFT				1.00
17	SM6041002TP	SCREW M4 L=10				2.00
18	16602609	MOTOR GEAR				1.00
19	SM8040602TP	SCREW M4X0.7 L=6				1.00
20	16602708	BALL SCREW GEAR				1.00
21	SM6052002TP	SCREW M5 L=20				4.00
22	WS0510002KN	SPRING WASHER				4.00
23	NM6060001SC	NUT M6				1.00
24	WP0641601SC	WASHER				1.00
25	16602807	BALL SCREW				1.00
26	16721805	KEY				1.00
27	NM6080001SC	NUT M8X1.25				1.00
28	WP0841600SC	WASHER				1.00
29	WS0820002KN	SPRING WASHER M8				1.00
30	WP1102016SC	WASHER 11X21X2				1.00
31	B2529205ABA	Y STEPPING MOTOR (B) ASM.				2.00
32	16720609	BEARING				2.00
33	16720104	BEARING				2.00
34	16710105	BEARING				2.00
35	RC2800002KP	RETAINIG PIN				2.00
36	SM0050801SC	SCREW				9.00
37	SM0050801SC	SCREW				3.00

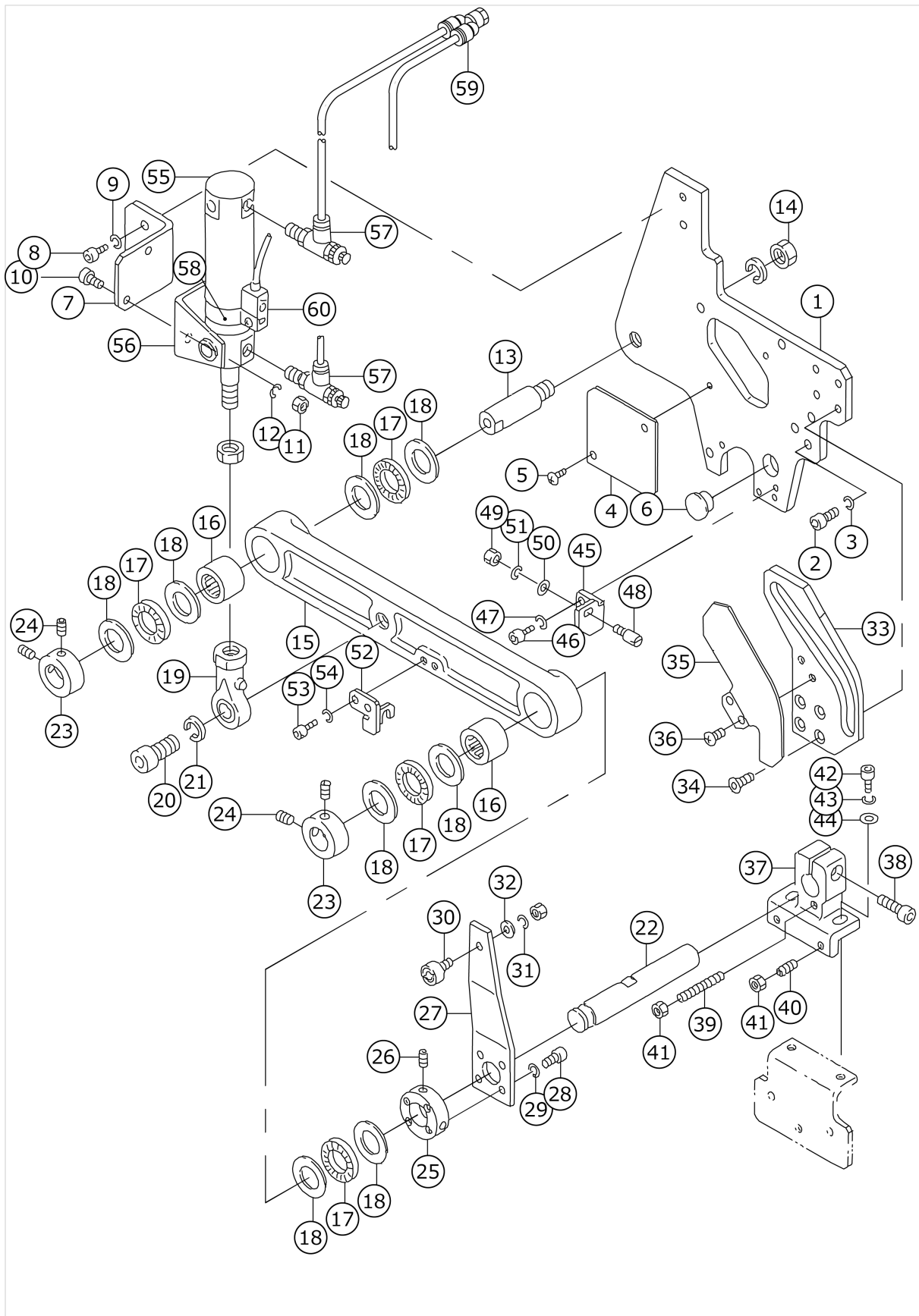
CORNER KNIFE COMPONENTS (3)



No.	品番	品名	備考	子部品	消耗品	個数
1	16600405	SLIDE SHAFT				1.00
2	SM8061002TP	SCREW M6 L=10				2.00
3	25334301	SENSOR DOG (6)				1.00
4	SM6051002TP	SCREW M5X0.8 L=10				2.00
5	WP0531000SC	WASHER 5.3X10X1				2.00
6	WS0510002KN	SPRING WASHER				2.00
7	16603300	SLIDE BRACKET				1.00
8	16721607	LINEAR BUSHING				1.00
9	16727208	RETAINING RING				2.00
10	16720708	BEARING				2.00
11	SM6041002TP	SCREW M4 L=10				3.00
12	16603417	KNIFE BASE WHEEL				1.00
13	WS0410002KN	SPRING WASHER				3.00
14	WP0430800SC	WASHER M4				3.00
15	16603508	BEARING COLLAR A				1.00
16	16603607	BEARING COLLAR B				1.00
17	16603706	SPLINE NUT COLLAR				1.00
18	16604001	KNIFE BASE GUIDE				1.00
19	16718801	SCREW				2.00
20	16604100	GUIDE STUD				2.00
21	SM6052002TP	SCREW M5 L=20				4.00
22	16604209	CYLINDER BRACKET				1.00
23	SM6051552TP	SCREW M5 L=15				2.00
24	WS0510002KN	SPRING WASHER				2.00
25	18555300	CORNER KNIFE BRACKET				1.00
26	SM6052002TP	SCREW M5 L=20				2.00
27	16604514	GUIDE SHAFT (A)				1.00
28	16724403	WASHER				1.00
29	SM6051202TP	SCREW M5X0.8 L=12				1.00
30	WS0510002KN	SPRING WASHER				1.00
31	16604605	GUIDE SHAFT B				1.00
32	16604902	KNIFE BASE				7.00
33	16605008	KNIFE BASE GUIDE BAR				7.00
34	SM8040502TP	SCREW M4X0.7 L=5				14.00
35	16605107	ROLLER				7.00
36	16605206	ROLLER BOSS				7.00
37	16605305	ROLLER PIN				7.00
38	16605503	CHUCK B				1.00
39	16605602	CHUCK BRACKET				1.00
40	SM6052002TP	SCREW M5 L=20				4.00
41	16605701	LOCK BRACKET				1.00
42	16605800	LEVER				1.00
43	16605909	PIN A				1.00
44	NM6060001SC	NUT M6				1.00
45	16606006	COLLAR A				1.00
46	16606105	PIN B				1.00
47	16606204	COLLAR B				1.00
48	16606303	PIN C				1.00
49	SM8050812TP	SCREW M5X8				1.00
50	16606402	COLLAR				1.00

51	16606709	CYLINDER BASE				1.00
52	SM6052002TP	SCREW M5 L=20				2.00
53	WS0510002KN	SPRING WASHER				2.00
54	16606808	CONNECTING BLOCK				1.00
55	16606907	KNIFE HOLDER BASE				7.00
56	SS7111120SP	SCREW 11/64-40 L=10.5				7.00
57	16607004	KNIFE GUIDE				7.00
58	SS4080620TP	SCREW 1/8-44 L=6				7.00
59	16607103	KNIFE HOLDER A				7.00
60	SS6081210SP	SCREW 1/8-44 L=12				7.00
61	16607202	KNIFE HOLDER B				7.00
62	SS6080210SP	SCREW 1/8-44 L=2				7.00
63	G5279117000	ECCENTRIC PIN				14.00
64	16607301	CORNER KNIFE A1	GAUGE PART			7.00
65	16607400	CORNER KNIFE A2	GAUGE PART			7.00
66	16607509	CORNER KNIFE (B-1)	GAUGE PART			1.00
67	16607608	CORNER KNIFE (B-2)	GAUGE PART			1.00
68	16607905	CORNER KNIFE(D-1)	GAUGE PART			1.00
69	16608002	CORNER KNIFE(D-2)	GAUGE PART			1.00
70	16608101	CORNER KNIFE (E-1)	GAUGE PART			1.00
71	16608200	CORNER KNIFE (E-2)	GAUGE PART			1.00
72	PA2007003A0	AIR CYLINDER				1.00
73	18588103	BAND				1.00
74	16725004	LINEAR BUSHING				4.00
75	PA1502003A0	PIN CYLINDER				1.00
76	25358250	CABLE ASM.				1.00
77	SM0050801SC	SCREW				3.00
78	PA900063000	FLOATING JOINT				1.00
79	16606600	CHUCK BASE				1.00
80	SM6082002TP	SCREW M8 L=20				1.00
81	25322553	SENSOR CABLE				1.00
82	25322355	SENSOR CABLE				1.00
83	SM6032002TP	SCREW M3X0.5 L=20				1.00
84	25403205	SPRING				1.00
85	NM6030001SC	NUT M3				1.00

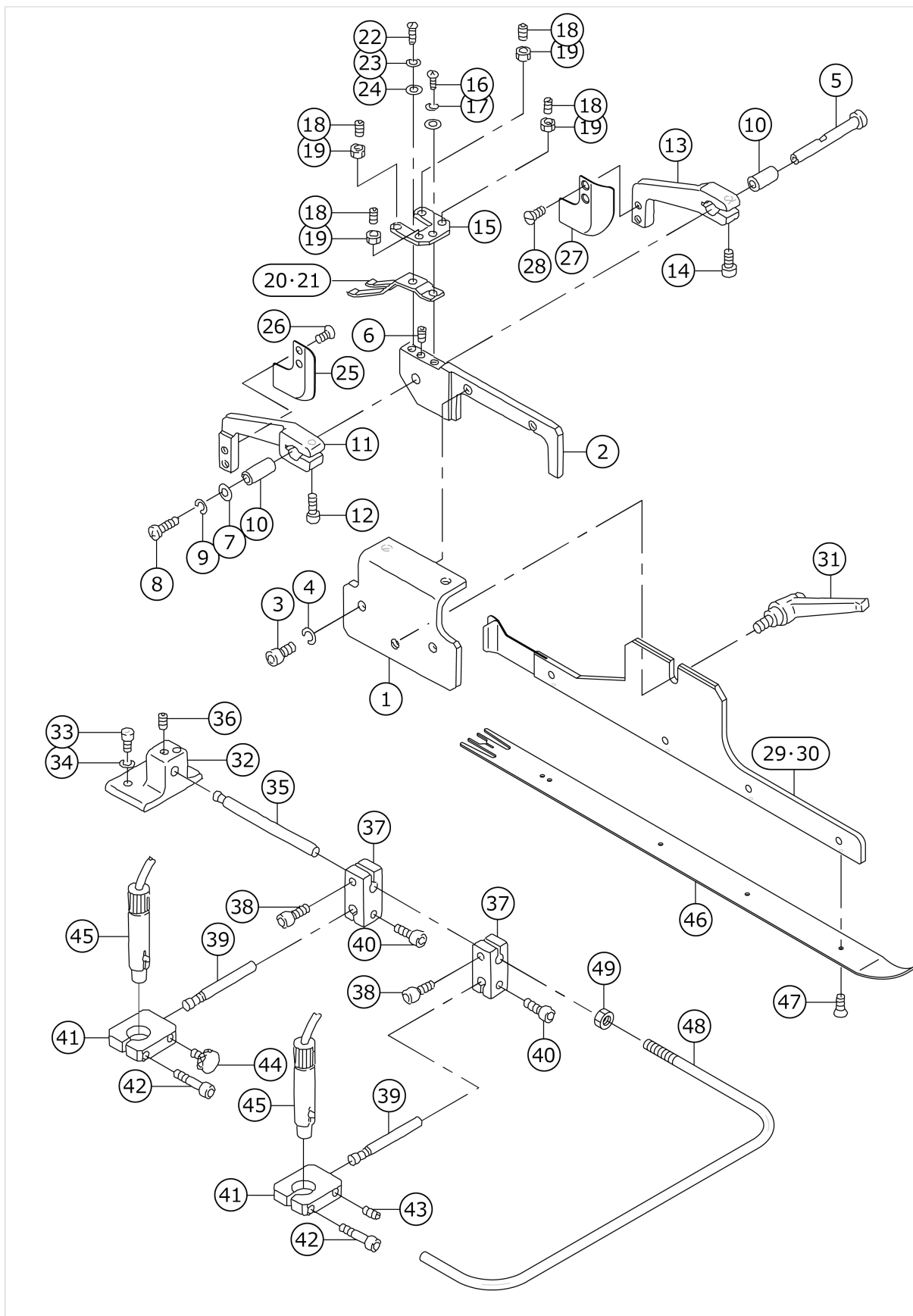
BINDER COMPONENTS (1)



No.	品番	品名	備考	子部品	消耗品	個数
1	25304007	BINDER BRACKET				1.00
2	SM6051552TP	SCREW M5 L=15				4.00
3	WS0510002KN	SPRING WASHER				3.00
4	25304106	BINDER BRACKET COVER				1.00
5	SM0040601SC	SCREW M4X0.7 L=6				2.00
6	TA1450404R0	RUBBER PLUG D=14.5 L=4				1.00
7	25304205	CYLINDER BRACKET				1.00
8	SM6051002TP	SCREW M5X0.8 L=10				2.00
9	WS0510002KN	SPRING WASHER				2.00
10	SM6051552TP	SCREW M5 L=15				2.00
11	NM6050001SC	NUT M5				2.00
12	WS0510002KN	SPRING WASHER				2.00
13	25304304	FULCRUM PIN(A)				1.00
14	NM6100001SC	NUT M10X1.5				1.00
15	25304403	LEVER				1.00
16	25321407	NEEDLE BEARING				2.00
17	G5324119000	THRUST NEEDLE BEARING				4.00
18	G5325119000	THRUST WASHER				8.00
19	25321100	ROD				1.00
20	SM6103502TP	SCREW M10 L=35				1.00
21	WS1020002KN	SPRING WASHER M10				1.00
22	25304502	FULCRUM PIN(B)				1.00
23	16911612	COLLER				2.00
24	SM8060802TP	SCREW M6 L=8				4.00
25	25304601	COLLER				1.00
26	SM8061002TP	SCREW M6 L=10				2.00
27	25304700	LEVER				1.00
28	SM6041202TP	SCREW M4X0.7 L=12				4.00
29	WS0410002KN	SPRING WASHER				4.00
30	25321308	CAM				1.00
31	WS0410002KN	SPRING WASHER				1.00
32	25320706	WASHER				1.00
33	25305509	CAM				1.00
34	SM1040852TP	DISH SCREW				4.00
35	25316803	CAM COVER				1.00
36	SM0040601SC	SCREW M4X0.7 L=6				2.00
37	25304809	BINDER FITTING BASE(1)				1.00
38	SM6062202TP	BOLT				1.00
39	SM8044002TP	SCREW M4X0.7 L=40				1.00
40	SM8041552TP	SCREW M4 L=15				2.00
41	NM6040001SC	NUT M4				3.00
42	SM6051802TP	SCREW M5 L=18				2.00
43	WS0510002KN	SPRING WASHER				2.00
44	WP0531001SC	WASHER				2.00
45	25305103	BASE				1.00
46	SM6041002TP	SCREW M4 L=10				2.00
47	WS0410002KN	SPRING WASHER				2.00
48	B2613232000	STOP LINK ROD HINGE SCREW				1.00
49	NS6620310SP	NUT 3/16-32				1.00
50	WP0480856SP	WASHER 4.8X8.4X0.8				1.00

51	WS0511302KS	SPRING WASHER 5.1X9.2X1.3				1.00
52	25305202	PLATE				1.00
53	SM6041002TP	SCREW M4 L=10				2.00
54	WS0410002KN	SPRING WASHER				2.00
55	PA2504501A0	AIR CYLINDER				1.00
56	16802209	ROCKING HOLDER METAL				1.00
57	PC015107000	SPEED CONTROLLER				2.00
58	PX500053000	BAND				1.00
59	PJ308045101	BRANCH				1.00
60	25322157	CABLE ASM.				1.00

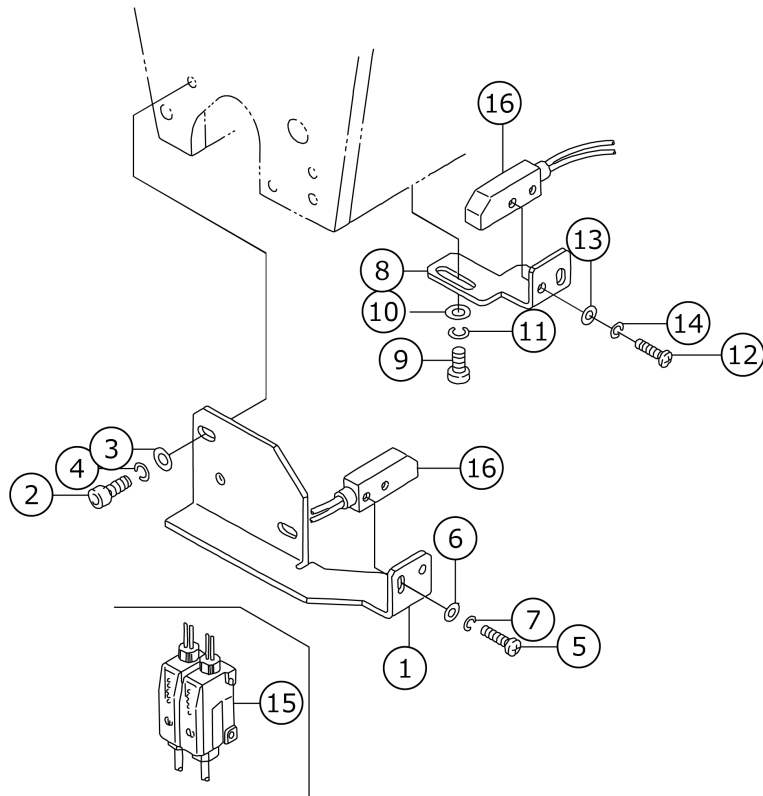
BINDER COMPONENTS (2)



No.	品番	品名	備考	子部品	消耗品	個数
1	25304908	BINDER FITTING BASE(2)				1.00
2	25305004	BINDER FITTING BASE(3)				1.00
3	SM6051002TP	SCREW M5X0.8 L=10				2.00
4	WS0510002KN	SPRING WASHER				2.00
5	16671703	GUIDE PIN				1.00
6	SM8031202TP	SCREW M3X0.5 L=12				1.00
7	G5329116000	WASHER D=8				1.00
8	SM3030601SC	SCREW M3X0.5 L=6				1.00
9	WS0310002KN	SPRING WASHER M3				1.00
10	16671802	ARM BUSHING				2.00
11	16766610	WORKPIECE GUIDE ARM, LEFT				1.00
12	SM6031202TP	SCREW M3X0.5 L=12				1.00
13	16766511	WORKPIECE GUIDE ARM, RIGHT				1.00
14	SM6031202TP	SCREW M3X0.5 L=12				1.00
15	G5321119000	WORKPIECE GUIDE STOPPER				1.00
16	SM6030802TP	SCREW M3X0.5 L=8				1.00
17	WS0310002KN	SPRING WASHER M3				1.00
18	SM8041552TP	SCREW M4 L=15				4.00
19	NM6040001SC	NUT M4				4.00
20	G5328116000	WORKPIECE GUIDE SPRING A	SELECTIVE PARTS			1.00
21	G5328116000	WORKPIECE GUIDE SPRING A	SELECTIVE PARTS			1.00
22	SM4030801SC	SCREW M3 X 8				1.00
23	WS0310002KN	SPRING WASHER M3				1.00
24	WP0320500SC	WASHER M3				1.00
25	25375403	WORKPIECE GUIDE B ,RIGHT				1.00
26	SS1060610SP	SCREW 3/32-56 L=5.5				2.00
27	25375502	WORKPIECE GUIDE A ,RIGHT				1.00
28	SS1060610SP	SCREW 3/32-56 L=5.5				2.00
29	25370107	BINDER BASE, LEFT	SELECTIVE PARTS			1.00
30	25370206	BINDER BASE, RIGHT	SELECTIVE PARTS			1.00
31	25321506	CLAMP LEVER				1.00
32	16920100	MARKER BASE				1.00
33	SM6061602TP	SCREW M6 L=16				2.00
34	WS0610002KN	SPRING WASHER 6.1X12.2X1.5				2.00
35	16912602	LIGHT INSTALLING SHAFT				1.00
36	SM8060802TP	SCREW M6 L=8				1.00
37	16912701	LIGHT BRACKET (1)				2.00
38	SM6051552TP	SCREW M5 L=15				2.00
39	16912800	REGULATION SHAFT				2.00
40	SM6051552TP	SCREW M5 L=15				2.00
41	16912909	LIGHT BRACKET (2)				2.00
42	SM6052502TP	SCREW M5X0.8 L=25				2.00
43	SM8051002TP	SCREW M5 L=10				1.00
44	G5338116000	CLAMP BOLT				1.00
45	25325655	CROSS MARKING LIGHT ASM.				2.00
46	25311119	WELT PATCH BASE PLATE	SELECTIVE PARTS			1.00

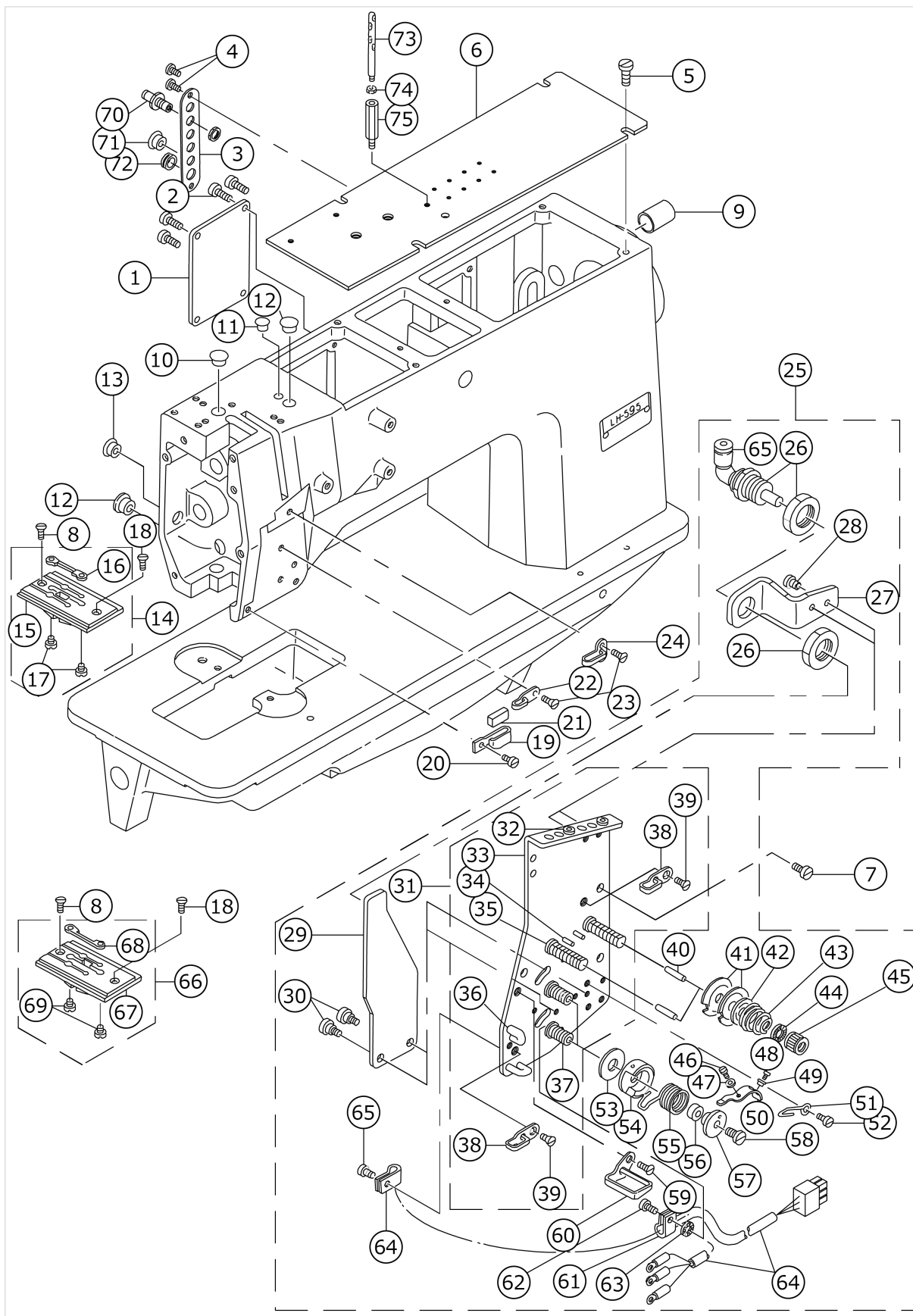
47	G5333119000	SCREW M2 L=4				4.00
48	25404203	SAFETY GUARD				1.00
49	NM6050001SC	NUT M5				1.00

FLAP PHOTOTUBE COMPONENTS



No.	品番	品名	備考	子部品	消耗品	個数
1	25303900	FLAP SENSOR BRACKET,LEFT				1.00
2	SM6040802TP	SCREW M4X0.7 L=8				2.00
3	WP0430800SC	WASHER M4				2.00
4	WS0410002KN	SPRING WASHER				2.00
5	SM4031201SC	SCREW M3 X 12				2.00
6	WP0320500SC	WASHER M3				2.00
7	WS0310002KN	SPRING WASHER M3				2.00
8	18551606	SENSOR BRACKET (1) RIGHT				1.00
9	SS6091022TP	SCREW				2.00
10	WP0430800SC	WASHER M4				4.00
11	WS0410002KN	SPRING WASHER				2.00
12	SM4031201SC	SCREW M3 X 12				2.00
13	WP0320500SC	WASHER M3				2.00
14	WS0310002KN	SPRING WASHER M3				2.00
15	25323155	CABLE ASM.				1.00
16	25326000	FLAP FIBER UNIT				2.00

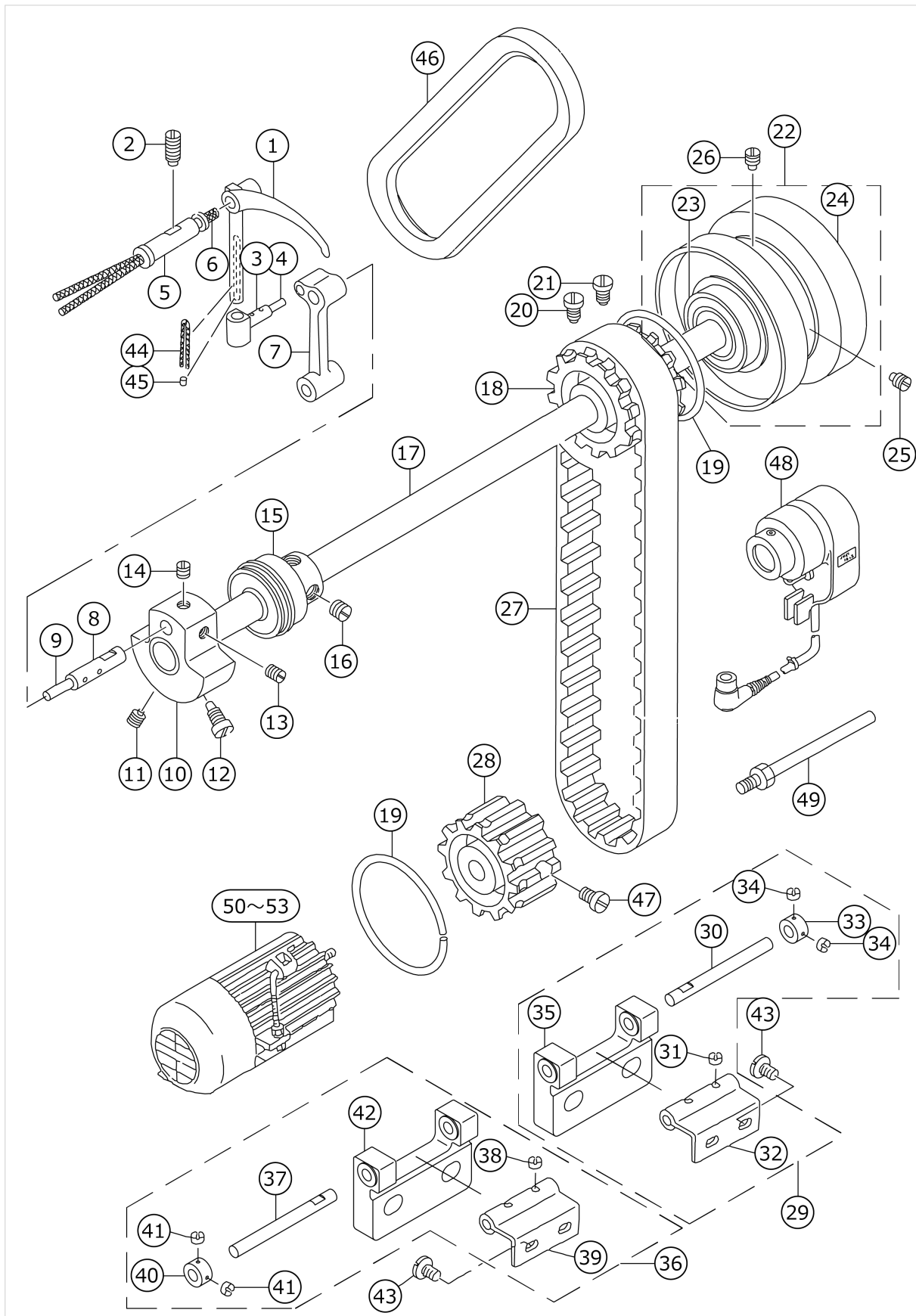
FRAME & MISCELLANEOUS COVER COMPONENTS



No.	品番	品名	備考	子部品	消耗品	個数
1	16400400	COVER				1.00
2	SS7111810SP	SCREW 11/64-40 L=18				4.00
3	16428518	TUBE COVER				1.00
4	SS7110910SP	SCREW 11/64-40 L=8.5				2.00
5	SS6150810SP	SCREW 15/64-28 L=8				4.00
6	25136011	TOP COVER				1.00
7	SS7110910SP	SCREW 11/64-40 L=8.5				3.00
8	SS2110930SP	SCREW 11/64-40 L=8.7	THIS GAUGE OF 8MM IS A USE			2.00
9	TA1871602R0	RUBBER PLUG				1.00
10	TA1250406R0	RUBBER PLUG D=12.5 L=4				1.00
11	TA0750404R0	PLUG D=7.5 L=3.5				1.00
12	TA1250504R0	RUBBER PLUG				2.00
13	TA1050504R0	RUBBER PLUG				1.00
14	16401259	THROAT PLATE ASM. 10MM	GAUGE PART			1.00
15	16401200	THROAT PLATE 10MM	GAUGE PART	*		1.00
16	16401002	CONTER KNIFE	GAUGE PART	*		1.00
17	SS6080320SP	SCREW 1/8-44 L= 2.5		*		2.00
18	SS2110915SP	SCREW 11/64-40 L=8.5				2.00
19	10102200	THREAD GUIDE F				1.00
20	SS7090610SP	SCREW 9/64-40 L=6				1.00
21	B1131528000	FELT				1.00
22	B1130051000	FRAME THREAD GUIDE, MIDDLE				1.00
23	SS2090520SL	SCREW 9/64-40 L=5				1.00
24	10101400	THREAD GUIDE, C				1.00
25	25138660	THREAD TENSION BASE COMPONENTS				1.00
26	PA1000506A0	CYLINDER		*		1.00
27	16424608	CYLINDER BRACKET		*		1.00
28	SS7090610SP	SCREW 9/64-40 L=6		*		2.00
29	16424202	TENSION RELEASE PLATE		*		1.00
30	SD0470281SP	HINGE SCREW D=4.7 H=2.8		*		2.00
31	25138652	THREAD TENSION BASE ASM.		*		1.00
32	B1124804000	THREAD GUIDE, SMALL		*		2.00
33	25138603	THREAD TENSION BASE PLATE		*		1.00
34	PS0200122K0	SPRING PIN 2.0X12		*		2.00
35	B3124512000	THREAD TENSION STUD		*		2.00
36	16424301	THREAD GUIDE		*		2.00
37	16424905	THREAD TAKE-UP SPRING STUD		*		2.00
38	B1130051000	FRAME THREAD GUIDE, MIDDLE		*		2.00
39	SS2090520SL	SCREW 9/64-40 L=5		*		2.00
40	25450800	TENSION RELEASE PIN		*		2.00
41	B3126051000	TENSION DISC		*		4.00
42	B3132051000	TENSION DISC HOLDER		*		2.00
43	B3129012A00	TENSION SPRING	SELECTIVE PARTS	*		2.00
44	B3120125000	ROTATING STOPPER		*		2.00
45	B311651200B	TENSION NUT B		*		2.00
46	SS6060220SP	SCREW 3/32-56 L= 2.0		*		2.00
47	WP0250516SD	WASHER 2.5X6X0.5		*		1.00
48	SS7090710SP	SCREW 9/64-40 L= 6.8		*		1.00

49	G3197116000	INSULATING BUSHING		*		2.00
50	25139007	TAKE-UP SPRING ADJUSTING PLATE		*		2.00
51	B2213019000	LOOPER THREAD GUIDE (C)		*		1.00
52	SS7090510SP	SCREW 9/64-40 L= 4.6		*		1.00
53	16424707	TAKE-UP SPRING GUIDE PLATE		*		2.00
54	16424400	THREAD TENSION POST		*		2.00
55	16424806	THREAD TAKE-UP SPRING		*		2.00
56	16425100	SPRING ADJUSTING POST A		*		2.00
57	16425209	SPRING ADJUSTING POST B		*		2.00
58	SS6080610TP	SCREW 1/8-44 L=6		*		2.00
59	SS2090541SL	SCREW 9/64-40 L=5		*		1.00
60	16424004	THREAD GUIDE		*		1.00
61	G5066110000	CORD HOLDER		*		2.00
62	SS7090540TP	SCREW 9/64-40 L=5		*		2.00
63	WT0480002KR	WASHER WITH TEETH M4.5		*		1.00
64	25138751	SENSOR CABLE ASM.		*		1.00
65	PJ304040504	ELBOW UNION		*		1.00
66	16402455	THROAT PLATE, RIGHT 10MM				1.00
67	16402406	THROT PLATE RIGHT 10MM	GAUGE PART	*		1.00
68	16403008	CONTER KNIFE, RIGHT	GAUGE PART	*		1.00
69	SS6080320SP	SCREW 1/8-44 L= 2.5	GAUGE PART	*		2.00
70	PJ230004200	UNION				3.00
71	TA1050604RO	RUBBER PLUG				2.00
72	16428609	GROMMET				1.00
73	B1114051000	NEEDLE THREAD GUIDE PIN				1.00
74	NS6620310SP	NUT 3/16-32				1.00
75	25297607	STUD				1.00

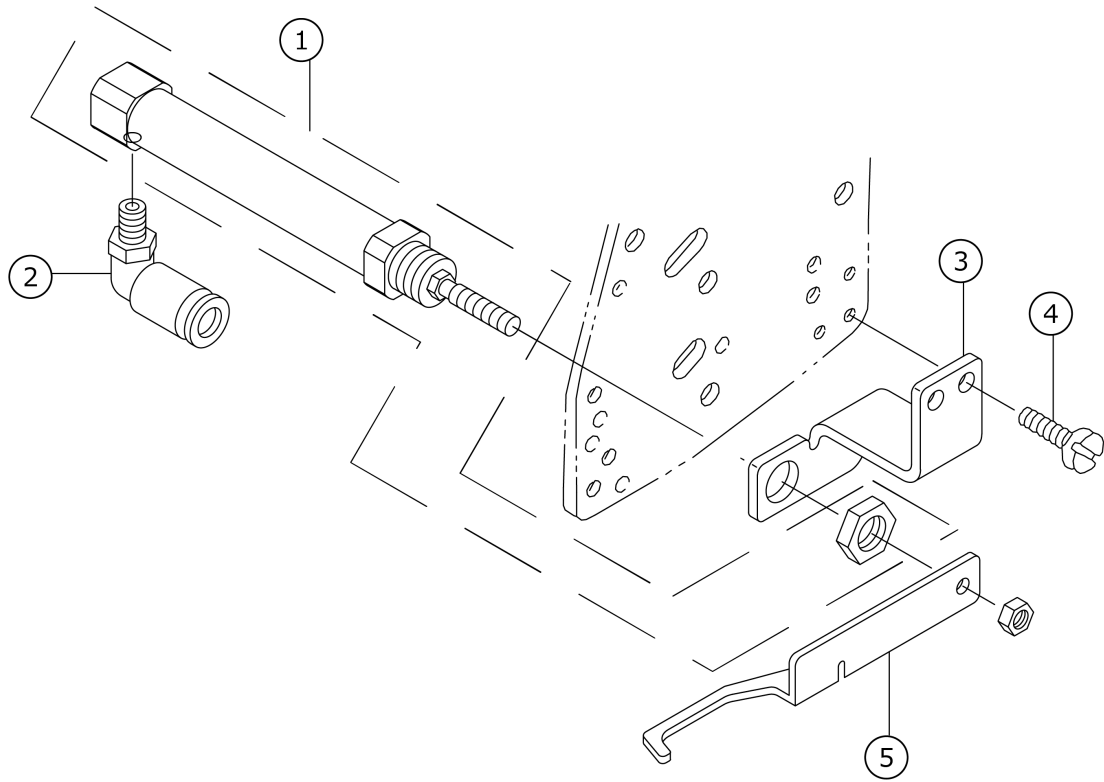
MAIN SHAFT & THREAD TAKE-UP LEVER COMPONENTS



No.	品番	品名	備考	子部品	消耗品	個数
1	16423006	THREAD TAKE-UP LEVER				1.00
2	SS8151550SP	SCREW 15/64-28 L=15				1.00
3	B1907526000	TAKE-UP LEVER THRUST PIN				1.00
4	CQ303000000	OIL WICK				0.02
5	B1906051000	TAKE-UP LEVER PIN				1.00
6	CQ202000000	OIL WICK				0.30
7	B1408526000	NEEDLE BAR CRANK ROD				1.00
8	B1210526000	NEEDLE BAR CRANK PIN				1.00
9	CQ303000000	OIL WICK				0.06
10	B1206051000	COUNTERWEIGHT				1.00
11	SS8681650TP	SCREW 9/32-28 L=16				1.00
12	SS7681750TP	SCREW 9/32-28 L=16.5				1.00
13	SS8680730SP	SCREW 9/32-28 L=7				1.00
14	SS8680540SP	SCREW 9/32-28 L= 4.5				1.00
15	10305159	MAIN SHAFT BUSHING, FRONT				1.00
16	SS8150710SP	SCREW 15/64-28 L=7				2.00
17	16404204	MAIN SHAFT				1.00
18	B1302051000	SPROCKET WHEEL, UPPER				1.00
19	B1214019000	SPROCKET RING				2.00
20	SS8681950SP	SCREW 9/32-28 L=19				1.00
21	SS8681650TP	SCREW 9/32-28 L=16				1.00
22	10307056	HAND WHEEL ASM.				1.00
23	B1203512000	BUSHING, REAR		*		1.00
24	25136409	HAND WHEEL		*		1.00
25	SS8151780SP	SCREW 15/64-28 L=17.0				1.00
26	SS8151550SP	SCREW 15/64-28 L=15				1.00
27	10103406	TIMING BELT				1.00
28	B1303512000	SPROCKET WHEEL, LOWER				1.00
29	25138850	HINGE ASM.,RIGHT				1.00
30	10517209	ROLLER SHAFT A		*		1.00
31	SS8110320SP	SCREW 11/64-40 L= 3.2		*		2.00
32	G8214119000A	HINGE		*		1.00
33	CS0800816SH	THRUST HOLDER D=8 W=8		*		1.00
34	SS8110320SP	SCREW 11/64-40 L= 3.2		*		2.00
35	25138801	HINGE BLOCK		*		1.00
36	25138959	HINGE ASM.,LEFT				1.00
37	10517209	ROLLER SHAFT A		*		1.00
38	SS8110320SP	SCREW 11/64-40 L= 3.2		*		2.00
39	G8214119000A	HINGE		*		1.00
40	CS0800816SH	THRUST HOLDER D=8 W=8		*		1.00
41	SS8110320SP	SCREW 11/64-40 L= 3.2		*		2.00
42	25138801	HINGE BLOCK		*		1.00
43	SS7680870SP	SCREW 9/32 L= 8.0				4.00
44	CQ202000000	OIL WICK				0.03
45	TA0290301M0	RUBBER PLUG				1.00
46	MTJVM006000	V-BELT, 60 INCH				1.00
47	SS6661110SP	SCREW 1/4-40 L=11				2.00
48	GSY010000A0	SY-1 COMPLETION.				1.00
49	10129054	SINCHRONIZER HOLDER STUD ASM.				1.00
50	MTSG1122410	MOTOR 100-120V	FOR 100 TO 120V,1-PHASE			1.00

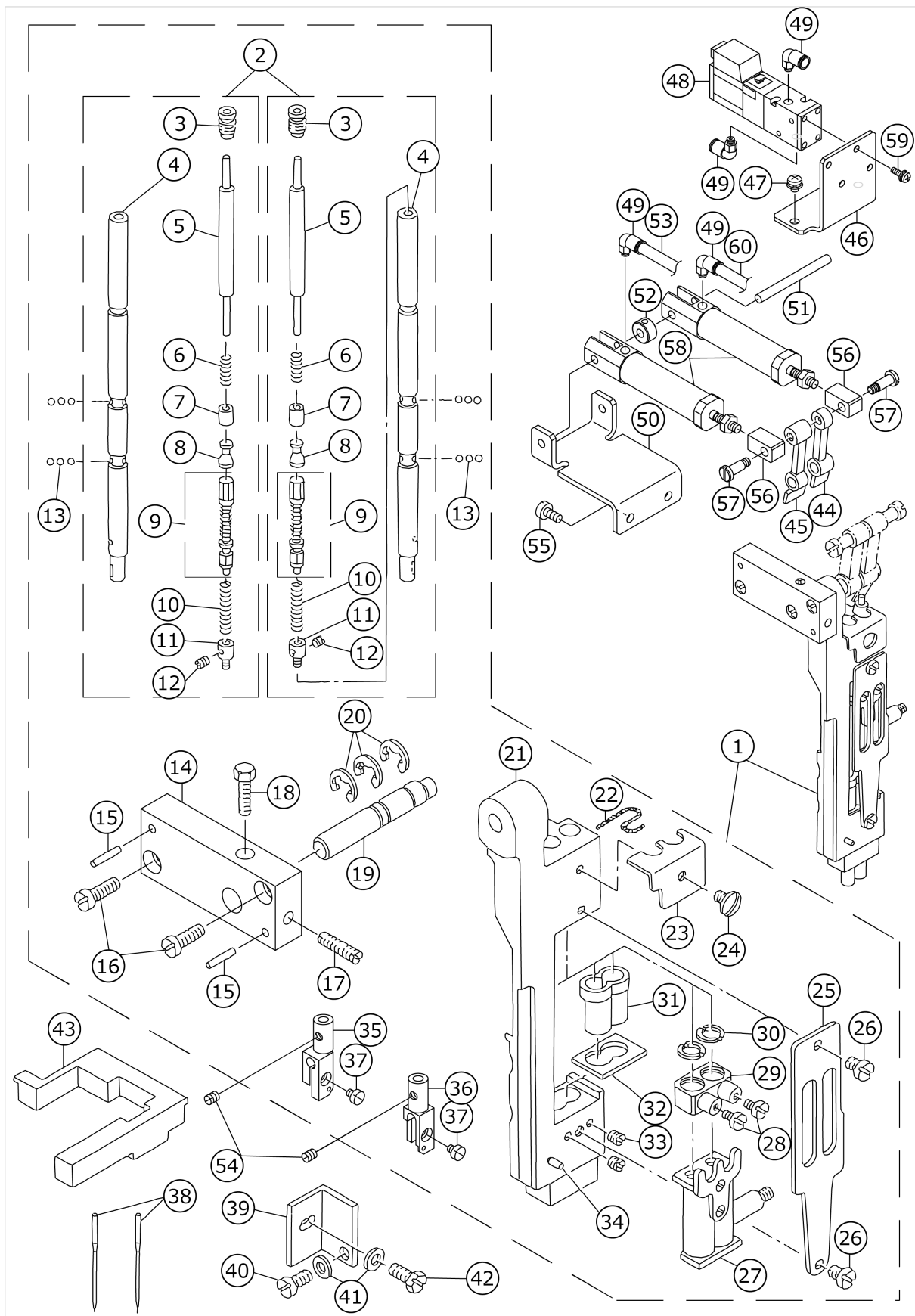
51	MTSG1162410	MOTOR 200-240V	FOR 200 TO 240V,1-PHASE			1.00
52	MTSG3162510	MOTOR 200-240V 3-PHASE	FOR 200 TO 240V,3-PHASE			1.00
53	MTSG3192510	MOTOR 380-440V 3-PHASE	FOR 380 TO 440V,3-PHASE			1.00
54	16934002	V BELT				1.00

WIPER COMPONENTS



No.	品番	品名	備考	子部品	消耗品	個数
1	PA1002506A0	CYINDER				1.00
2	PJ304040506	ELBOW UNION				1.00
3	25136102	WIPER CYLINDER BRACKET				1.00
4	SS7090610SP	SCREW 9/64・40 L=6				2.00
5	25136201	WIPER				1.00

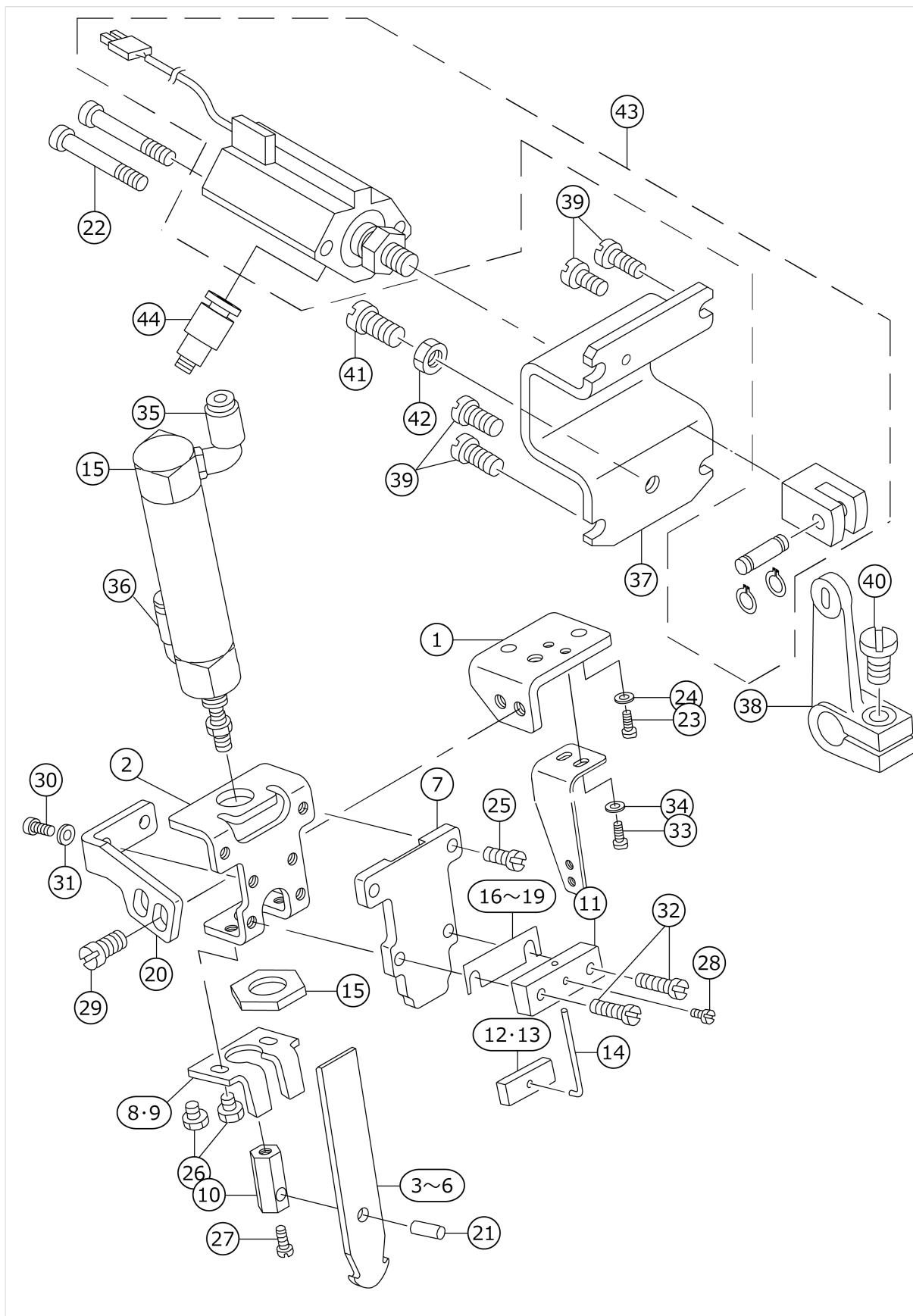
NEEDLE BAR FRAME COMPONENTS



No.	品番	品名	備考	子部品	消耗品	個数
1	25142654	NEEDLE BAR FRAME ASM.				1.00
2	16430951	NEEDLE BAR ASM.		*		2.00
3	B1404526000	PLUG SCREW		*		2.00
4	16430951	NEEDLE BAR ASM.		*		2.00
5	B1405526000	PRESS BAR		*		2.00
6	B1406526000	SPRING		*		2.00
7	B1407526000	PRESS BAR SLEEVE		*		2.00
8	16430803	SLIDE SHAFT		*		2.00
9	B14125260A0	ADJUSTING SLIDE STUD ASM.		*		2.00
10	B1415526000	SPRING		*		2.00
11	G1403117000	ANCHOR		*		2.00
12	B1425526000	SCREW 1/8-44 L=6		*		2.00
13	B1410526000	BALL		*		2.00
14	B1430526000	NEEDLE BAR FRAME SHAFT BASE		*		1.00
15	PT0301800S0	TAPERED PIN 3X18		*		2.00
16	SS7111310SP	SCREW 11/64-40 L=12.8		*		2.00
17	SS8111610SP	SCREW 11/64-40 L=15.5		*		1.00
18	SS9111610SP	SCREW 11/64-40 L=16		*		1.00
19	G1408117000	NEEDLE BAR FRAME SHAFT		*		1.00
20	RE0700000K0	E-RING 7		*		3.00
21	16430506	NEEDLE BAR FRAME B		*		1.00
22	CQ303000000	OIL WICK		*		1.00
23	B1450528000	OIL WICK RETAINER		*		1.00
24	SS5090420SP	SCREW 9/64-40 L=3.5		*		1.00
25	B1423526000	NEEDLE BAR GUIDE PLATE		*		1.00
26	SS6090510SP	SCREW 9/64-40 L=5		*		2.00
27	B14205260A0	NEEDLE BAR BRACKET ASM.		*		1.00
28	SS7090910TP	SCREW 9/64-40 L= 8.5		*		2.00
29	G1405117000	NEEDLE BAR FIXED PIN		*		2.00
30	G1404117000	HALF RING		*		4.00
31	B1510526000A	NEEDLE BAR LOWER BUSHING		*		2.00
32	B145352600A	THRUST PLATE A	SELECTIVE PARTS	*		1.00
33	SS8080310TP	SCREW 1/8-44 L=2.8		*		2.00
34	PS0200082KH	SPRING PIN		*		1.00
35	16431504	NEEDLE CLAMP D (LEFT) 8MM	GAUGE PART	*		2.00
36	16431603	NEEDLE CLAMP D (RIGHT) 8MM	GAUGE PART	*		1.00
37	SS7060310SP	SCREW 3/32-56 L=3		*		2.00
38	MDP170B1600	NEEDLE DPX17 #16				2.00
39	G1407117000	NEEDLE BAR FRAME GUIDE				1.00
40	SS7110740TP	SCREW 11/64-40 L=7				1.00
41	WP0480856SP	WASHER 4.8X8.4X0.8				2.00
42	SS9111010SP	SCREW 11/64-40 L=9.5				1.00
43	16430605	NEEDLE BAR FRAME RUBBER B				1.00
44	G5603117000	ROD A				1.00
45	G5604117000	ROD B				1.00
46	25142100	ELECTROMAGNETIC VALVE BKT				1.00
47	SL4040691SC	SCREW M4 L=6				2.00
48	PV130522000	3-PORT SOLENOID VALVE				2.00
49	PJ304040504	ELBOW UNION				6.00

50	25447301	CYLINDER BRACKET				1.00
51	25447400	CYLINDER FULCRUM ROD				1.00
52	CS051071BSD	THRUST COLLAR ASM. 5MM				1.00
53	BT0400251EC	TUBE HOSE, YELLOW				0.20
54	B1425526000	SCREW 1/8-44 L=6				2.00
55	SS6121010SP	SCREW 3/16-28 L=10				2.00
56	25142308	JOINT				2.00
57	SD0551101TP	HINGE SCREW				2.00
58	PA1602009A0	CYLINDER				2.00
59	SL4031091SC	SCREW M3 X 10				4.00
60	BT0400251EF	VINYL TUBE				0.20

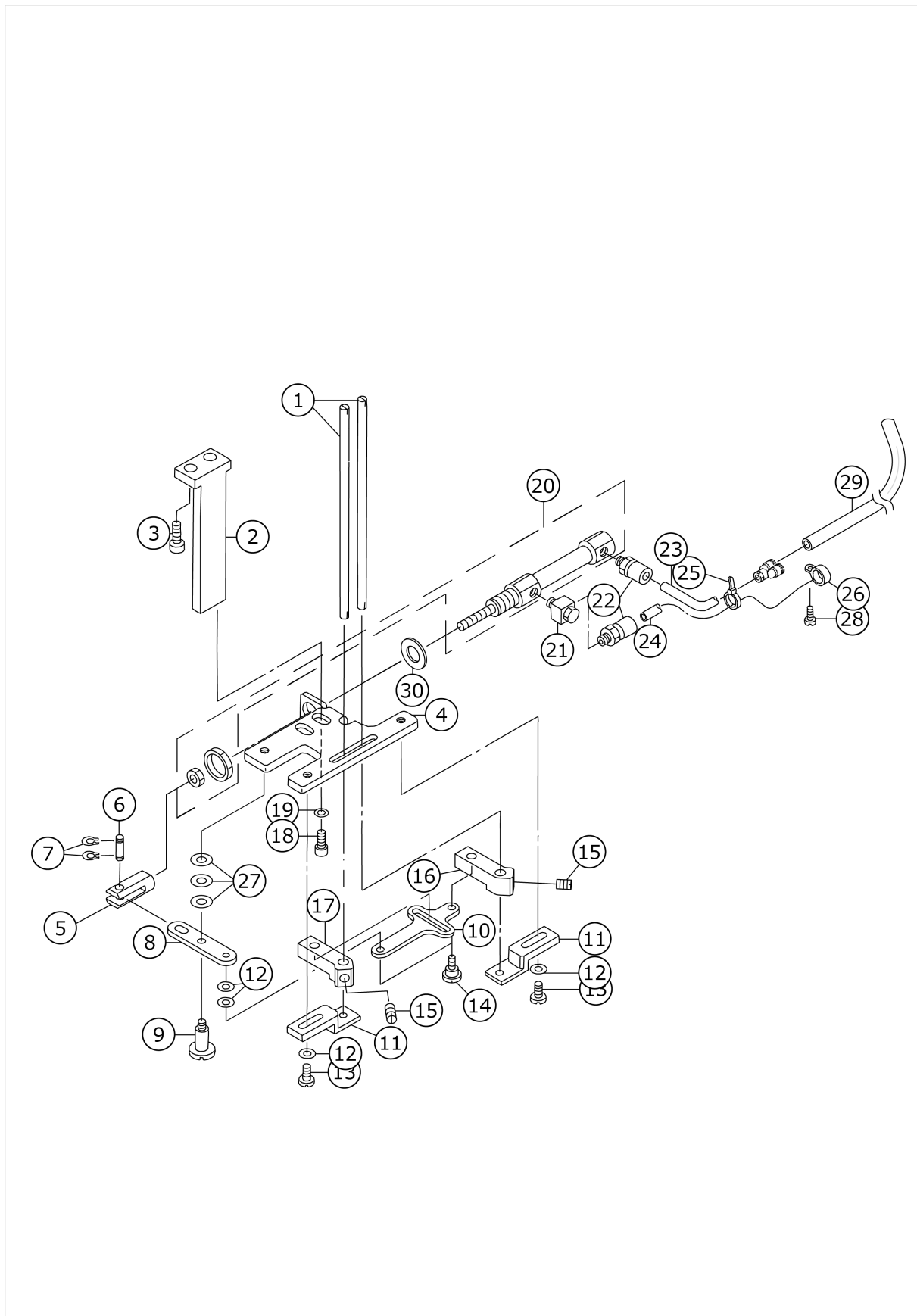
NEEDLE THREAD TRIMMER COMPONENTS



No.	品番	品名	備考	子部品	消耗品	個数
1	25136607	THREAD KNIFE BASE				1.00
2	25136805	NEEDLE THREAD CYLINDER BASE				1.00
3	25137100	NEEDLE THREAD KNIFE F	SELECTIVE PARTS			1.00
4	16409500	NEEDLE THREAD KNIFE A	SELECTIVE PARTS			1.00
5	16410508	NEEDLE THREAD KNIFE B	SELECTIVE PARTS			1.00
6	16411100	UPPER THREAD CUTTING KNIFE E	SELECTIVE PARTS			1.00
7	25136904	NEEDLE THREAD KNIFE GUIDE				1.00
8	16409906	NEEDLE THREAD COUNTER KNIFE	SELECTIVE PARTS			1.00
9	16411308	FIXED KNIFE	SELECTIVE PARTS			1.00
10	25137001	THREAD KNIFE CYLINDER JOINT				1.00
11	16410102	NEEDLE THREAD CLAMP BASE				1.00
12	16410201	NEEDLE THREAD CLAMP PLATE	SELECTIVE PARTS			1.00
13	16411407	CLAMP PLATE A	SELECTIVE PARTS			1.00
14	16410300	NEEDLE THREAD CLAMP SPRING				1.00
15	25140658	CYLINDER ASM.				1.00
16	16410607	SPACER 0.2	GAUGE PART			1.00
17	16410706	SPACER 0.4	GAUGE PART			1.00
18	16410805	SPACER 0.6	GAUGE PART			1.00
19	16410904	SPACER 0.8	GAUGE PART			1.00
20	25136706	CYLINDER BASE BRACKET				1.00
21	B1505804000	HINGE SHAFT				1.00
22	SM6035052TN	SCREW				2.00
23	SS6091022TP	SCREW				2.00
24	WP0371026SD	WASHER 3.7X7X1				2.00
25	SS7090710SP	SCREW 9/64-40 L=6.8				2.00
26	SS9090640SP	SCREW 9/64-40 L=6				2.00
27	SS6080810SP	SCREW 1/8-44 L=8.0				1.00
28	SS6080410SP	SCREW 1/8-44 L=4				1.00
29	SS7110840SP	SCREW 11/64-40 L=7.8				2.00
30	SS6090620SP	SCREW 9/64-40 L=6				2.00
31	WP0371026SD	WASHER 3.7X7X1				2.00
32	SS7091410SP	SCREW 9/64-40 L=13.5				2.00
33	SM6030602TP	SCREW M3X0.5 L=6				2.00
34	WP0320500SC	WASHER M3				2.00
35	PJ304040501	ELBOW UNION 4XM5				1.00
36	PJ304040506	ELBOW UNION				1.00
37	25138306	KNIFE CHANGING CYLINDER BKT				1.00
38	25139601	KNIFE CHANGING LINK A				1.00
39	SS7110910SP	SCREW 11/64-40 L=8.5				4.00
40	SS6121210SP	SCREW 3/16-28 L=12				1.00
41	SS6153040SP	SCREW 15/64-28 L=30				1.00
42	NS6150310SP	NUT 15/64-28				1.00

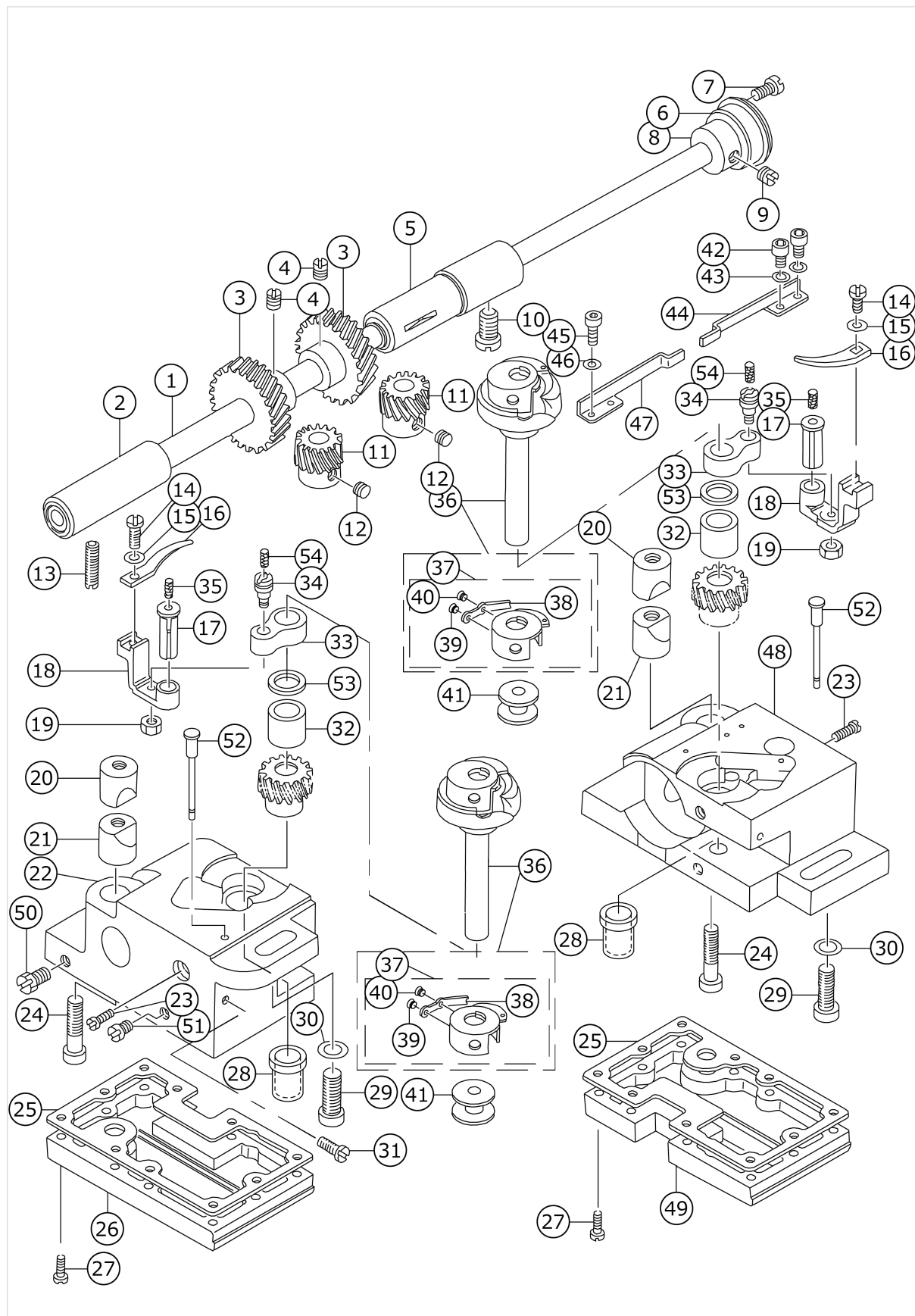
43	25140351	KNIFE CHANGING CYLINDER ASM.				1.00
44	PJ301040502	ELBOW UNION				2.00

BOBBIN THREAD CLIP COMPONENTS



No.	品番	品名	備考	子部品	消耗品	個数
1	25137308	BOBBIN THREAD NIPPER BAR(A)				2.00
2	G5701119000A	UNDER KNIFE MOUNTING BASE				1.00
3	SS6151712TP	SCREW 15/64-28 L=16.5				2.00
4	16413510	UNDER KNIFE FITTING BASE B				1.00
5	25137506	CYLINDER JOINT				1.00
6	B3034450000	LINK PIN				1.00
7	B3035450000	SNAP RING				2.00
8	25137407	KNIFE SUPPORTING PLATE				1.00
9	SD0640602SP	HINGE SCREW D= 6.35 H= 6.0				1.00
10	G5708119000	JOINT CONNECTING PLATE				1.00
11	16413403	KNIFE PRESSER BASE				2.00
12	WP0450000SD	WASHER 4.5X8X0.5				4.00
13	SS7110710SP	SCREW 11/64-40 L=7				2.00
14	SD0450401SP	HINGE SCREW D= 4.5 H= 4				3.00
15	SS8110410TP	SCREW 11/64-40 L= 3.5				2.00
16	25137605	KNIFE LINK ARM,RIGHT				1.00
17	25137704	KNIFE LINK ARM,LEFT				1.00
18	SS6151412TP	SCREW 15/64-28 L=14				2.00
19	WP0621026SP	WASHER 6.2X9.5X1				2.00
20	PA1001527A0	AIR CYLINDER				1.00
21	G5680116000	UNIVERSAL ELBOW				1.00
22	PJ032052501	HOSE NIPPLE				2.00
23	BT0400251EF	VINYL TUBE				0.66
24	BT0400251EC	TUBE HOSE, YELLOW				0.66
25	GES12153000	OIL WICK HOLDER				5.00
26	EA9502B0500	CABLE CLIP				1.00
27	WP0651056SH	WASHER 6.5X11X1				3.00
28	SS7110710SP	SCREW 11/64-40 L=7				1.00
29	BT0400251EC	TUBE HOSE, YELLOW				0.66
30	WP0901603SB	WASHER				1.00

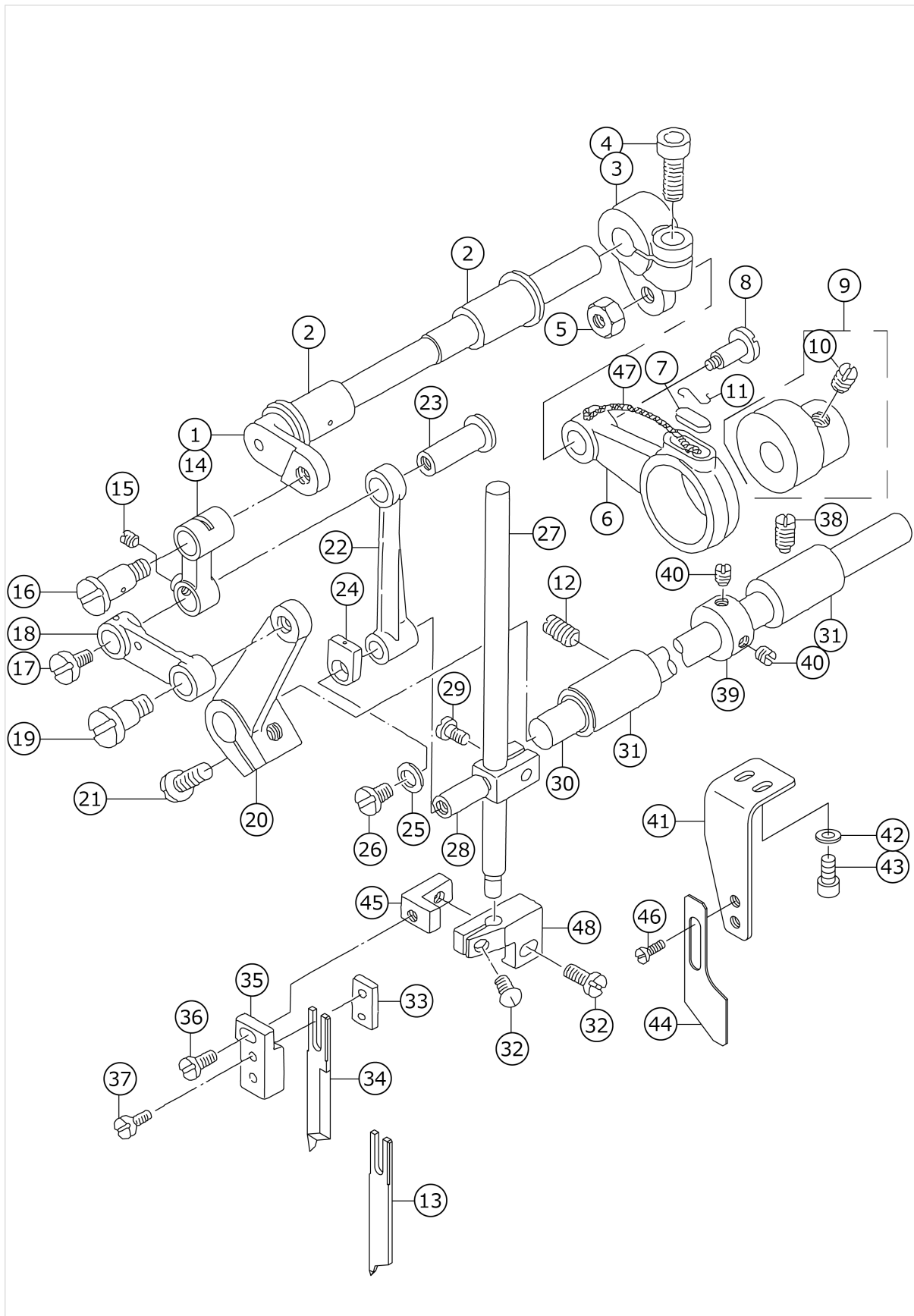
HOOK & HOOK DRIVING SHAFT COMPONENTS



No.	品番	品名	備考	子部品	消耗品	個数
1	25138504	HOOK DRIVING SHAFT				1.00
2	B18025120AB	BUSHING ASM., FRONT				1.00
3	B1816512000	HOOK DRIVING SHAFT, LARGE				2.00
4	SS8660810TP	SCREW 1/4-40 L=8				4.00
5	10112357	BUSHING ASM. INTERMEDIATE				1.00
6	B1813512000	HOOK DRIVING SHAFT BEARING				1.00
7	SS7110840SP	SCREW 11/64-40 L=7.8				1.00
8	B1804512000	THRUST COLLAR				1.00
9	SS8150710SP	SCREW 15/64-28 L=7				2.00
10	SS8151150SP	SCREW 15/64-28 L=10.5				1.00
11	10112001	HOOK SHAFT GEAR, A	SELECTIVE PARTS			1.00
12	SS8660530TP	SCREW 1/4-40 L= 4.5				6.00
13	SS8152030SP	SCREW 15/64-28 L=20				1.00
14	SS6090810SP	SCREW 9/64-40 L= 7.5				2.00
15	WP0371016SD	WASHER 3.7X8X1				2.00
16	16420705	BOBBIN CASE OPENING LEVER				2.00
17	B1823051000	OPENING LEVER CRANK PIN				2.00
18	B1822051000	OPENING LEVER CRANK				2.00
19	NS6110430SP	NUT 11/64-40				2.00
20	10109908	SADDLE INSTALLING BLOCK, UPPER				2.00
21	10112407	SADDLE INSTALLING BLOCK, LOWER				2.00
22	16421513	HOOK SHAFT SADDLE,LEFT				1.00
23	SS6111610SP	SCREW 11/64-40 L=16				2.00
24	SS6153012TP	SCREW 15/64-28				2.00
25	G1861119000	GASKET				2.00
26	G1860119AA0	HOOK SADDLE COVER ASM., LEFT				1.00
27	SS6091210TP	SCREW 9/64-40 L=12				20.00
28	22613400	HOOK DRIVING SHAFT BUSHING				2.00
29	SM6082002SP	SCREW M8 L=20				2.00
30	WP0850002SP	WASHER 8.5X18X1.6				2.00
31	SS7110510SP	SCREW 11/64-40 L=5				1.00
32	25138405	HOOK SHAFT UPPER BUSHING				2.00
33	B1820563000	BOBBIN CASE OPENING LEVER LINK				2.00
34	B1821051000	CRANK SCREW STUD				2.00
35	CQ202000000	OIL WICK				0.02
36	16421760	HORIZONTAL ROTATING HOOK ASM.				2.00
37	16422065	BOBBIN CASE		*		2.00
38	G183111600B	TENSION SPRING		*		2.00
39	10547800	SCREW		*		2.00
40	10547909	SCREW		*		2.00
41	16428153	BOBBIN ASM.				2.00
42	SM6040802SP	SCREW M4X0.7 L=8				2.00
43	WP0450000SD	WASHER 4.5X8X0.5				2.00
44	16421109	NIPPER SPRING, RIGHT				1.00
45	SM6040802SP	SCREW M4X0.7 L=8				2.00
46	WP0450000SD	WASHER 4.5X8X0.5				2.00
47	16422206	NIPPER SPRING, LEFT				1.00
48	16422404	OIL COVER,LEFT				1.00
49	G1860119BA0	HOOK SADDLE COVER ASM., RIGHT				1.00

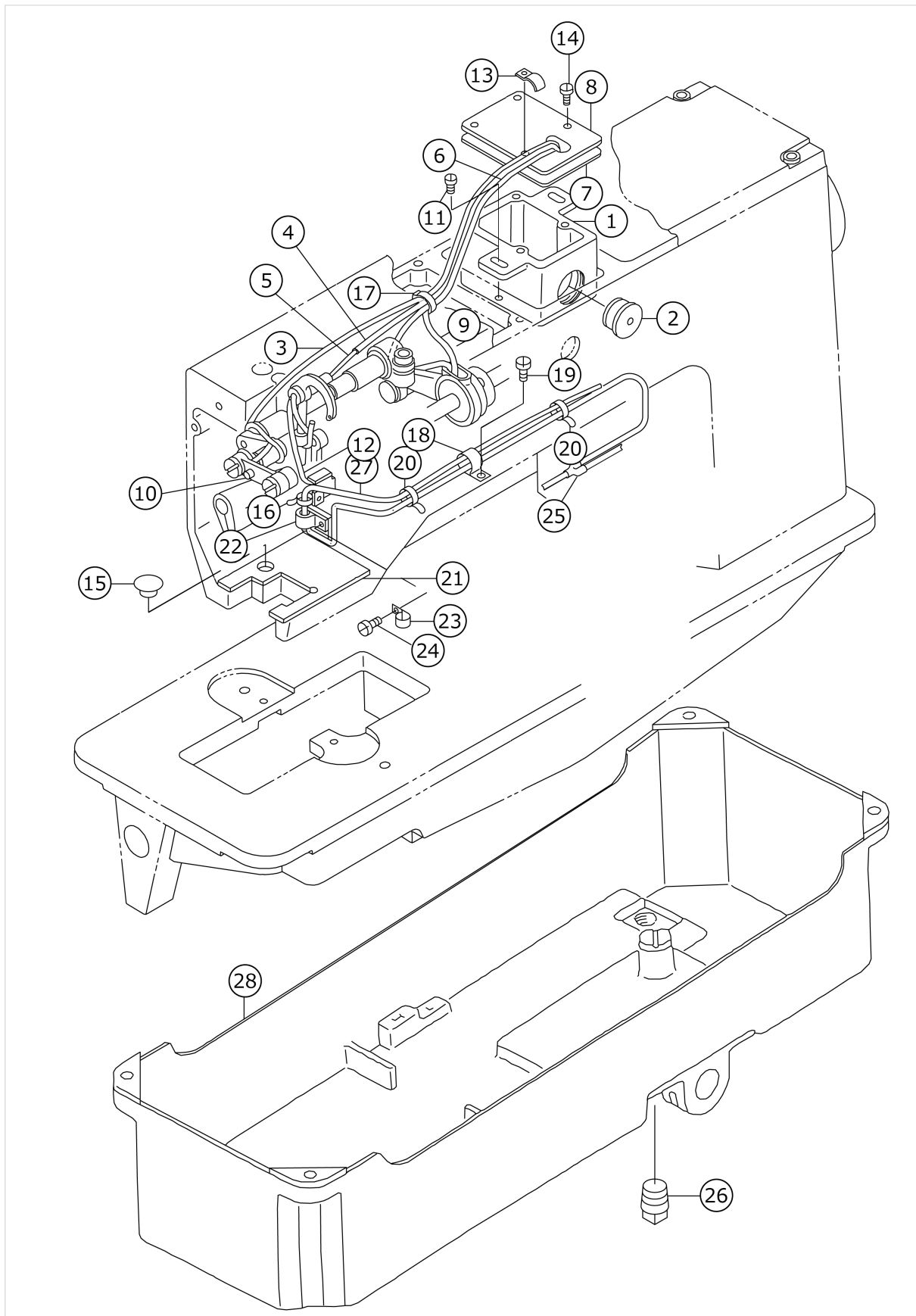
50	G1860119BA0	HOOK SADDLE COVER ASM., RIGHT				1.00
51	SS9660720SP	SCREW 1/4-40 L=7				1.00
52	16428401	HOOK OIL GAUGE				2.00
53	10109700	THRUST WASHER, A	SELECTIVE PARTS			2.00
54	CQ202000000	OIL WICK				0.01

UPPER KNIFE COMPONENTS



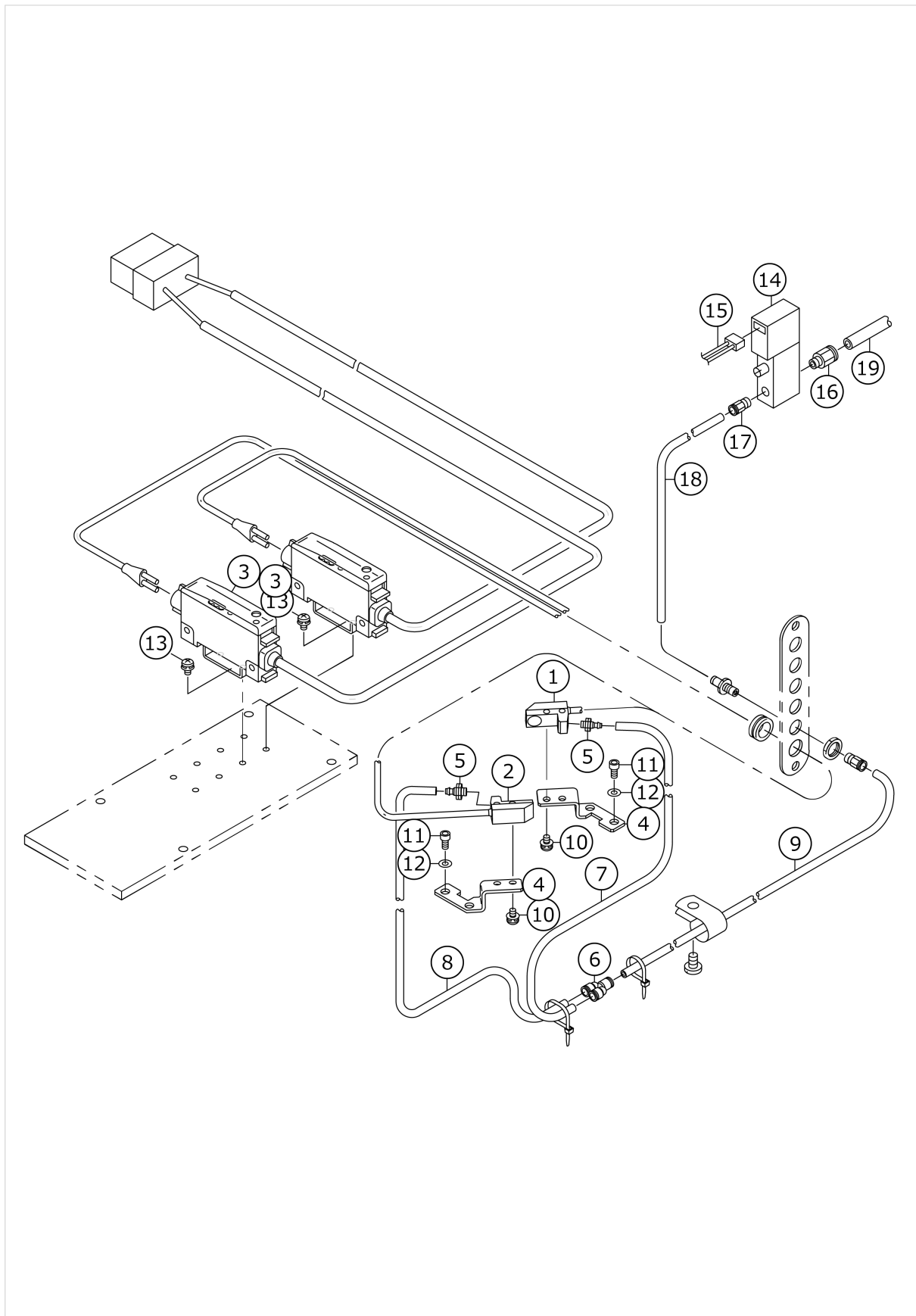
No.	品番	品名	備考	子部品	消耗品	個数
1	25138009	KNIFE DRIVING SHAFT				1.00
2	10313906	BUSHING				2.00
3	25137803	KNIFE DRIVING ARM				1.00
4	SM6061602TP	SCREW M6 L=16				1.00
5	NS6680410SP	NUT 9/32-28				1.00
6	25137902	KNIFE DRIVING ROD				1.00
7	B1702012000	OIL FELT				1.00
8	SD1021251SP	HINGE SCREW D=10.20 H=12.5				1.00
9	D1450055BA0	TOP FEED CAM ASM.				1.00
10	SS8660340SP	SCREW 1/4-40 L= 2.5		*		2.00
11	B1213012000	FELT RETAINER				1.00
12	SS8150920SP	SET-SCREW				1.00
13	25446808	UPPER KNIFE H , RIGHT				1.00
14	16417412	UPPER KNIFE LINK A				1.00
15	SS8110520TP	SCREW 11/64-40 L= 4.5				1.00
16	SD0791331SP	HINGE SCREW D= 7.94 H=13.3				1.00
17	SS5110710SP	SCREW 11/64-40 L=7				1.00
18	16417719	UPPER KNIFE LINK B				1.00
19	16415911	HINGE SCREW A				1.00
20	16417800	UPPER KNIFE LINK D				1.00
21	SS7151120SP	SCREW 15/64-28 L=11				1.00
22	16417313	UPPER KNIFE LINK C				1.00
23	16415218	LINK PIN				1.00
24	B1467563000	UPPER FEED BAR GUIDE				1.00
25	WP0480856SP	WASHER 4.8X8.4X0.8				1.00
26	SS5110810SP	SCREW 11/64-40 L=8				1.00
27	16416000	KNIFE BAR				1.00
28	16415507	KNIFE BAR CLAMP				1.00
29	SS6090910TP	SCREW 9/64-40 L=9				1.00
30	16415002	KNIFE CHANGING SHAFT				1.00
31	16415101	BUSHING				2.00
32	SS5110810SP	SCREW 11/64-40 L=8				2.00
33	16415804	KNIFE MOUNTING BASE D				1.00
34	25443805	UPPER KNIFE H , LEFT				1.00
35	16415705	KNIFE MOUNTING BASE C				1.00
36	SS7110910SP	SCREW 11/64-40 L=8.5				1.00
37	SS6080810SP	SCREW 1/8-44 L= 8.0				1.00
38	SS8151150SP	SCREW 15/64-28 L=10.5				1.00
39	CS1111019SH	THRUST COLLAR D=11.11 W=10				1.00
40	SS8660410SP	SCREW 1/4-40 L= 4.2				2.00
41	25137209	KNIFE COVER FITTING PLATE				1.00
42	WP0320500SC	WASHER M3				2.00
43	SM6030602SP	SCREW M3X0.5 L=6				2.00
44	25140708	KNIFE COVER				1.00
45	16418303	UPPER KNIFE INSTALLATION BASE				1.00
46	SM4030401SC	SCREW M3X0.5 L=4				2.00
47	CQ303000000	OIL WICK				0.06
48	16418204	KNIFE MOUNTING BASE A, RIGHT				1.00

LUBRICATION COMPONENTS



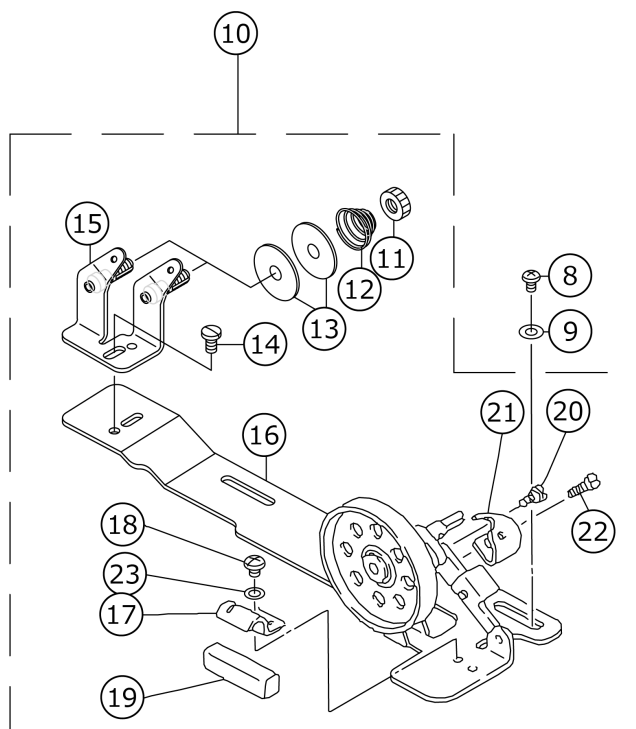
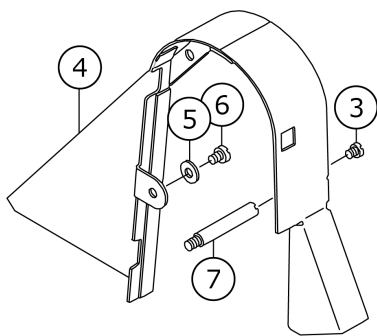
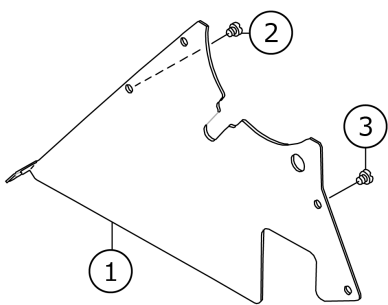
No.	品番	品名	備考	子部品	消耗品	個数
1	16425902	OIL TANK				1.00
2	16427007	OIL GAUGE				1.00
3	BT0400251EC	TUBE HOSE, YELLOW				0.21
4	CQ200000000	OIL WICK				0.40
5	BT0400251EC	TUBE HOSE, YELLOW				0.15
6	BT0400251EC	TUBE HOSE, YELLOW				0.07
7	16426009	OIL TANK GASKET				1.00
8	25140104	OIL TANK COVER				1.00
9	CQ200000000	OIL WICK				0.15
10	CQ200000000	OIL WICK				1.00
11	SS7110840SP	SCREW 11/64-40 L=7.8				2.00
12	CQ200000000	OIL WICK				0.20
13	D2611555B00A	CABLE HOLDER				1.00
14	SS6090630SP	SCREW 9/64-40 L=6				4.00
15	TA1250705R0	RUBBER PLUG				1.00
16	EA9500B0100	CABLE BAND				2.00
17	EA9500B0100	CABLE BAND				1.00
18	HX00150000F	CABLE CLIP				1.00
19	SS7090710SP	SCREW 9/64-40 L= 6.8				1.00
20	EA9500B0200	CABLE BAND 150				2.00
21	25139452	OIL RETURN FELT ASM.				1.00
22	HX00150000G	CABLE CLIP				1.00
23	HX00150000A	CABLE CLAMP				1.00
24	SS7110910SP	SCREW 11/64-40 L=8.5				1.00
25	PJ308040002	QUICK COUPLING				1.00
26	PJ025300001	PLUG				1.00
27	25139155	OIL RETURN TUBE ASM.				1.00
28	16426850	OIL RESERVOIR ASM.				1.00

BOBBIN THREAD REMAINING AMOUNT DETECTING DEVICE



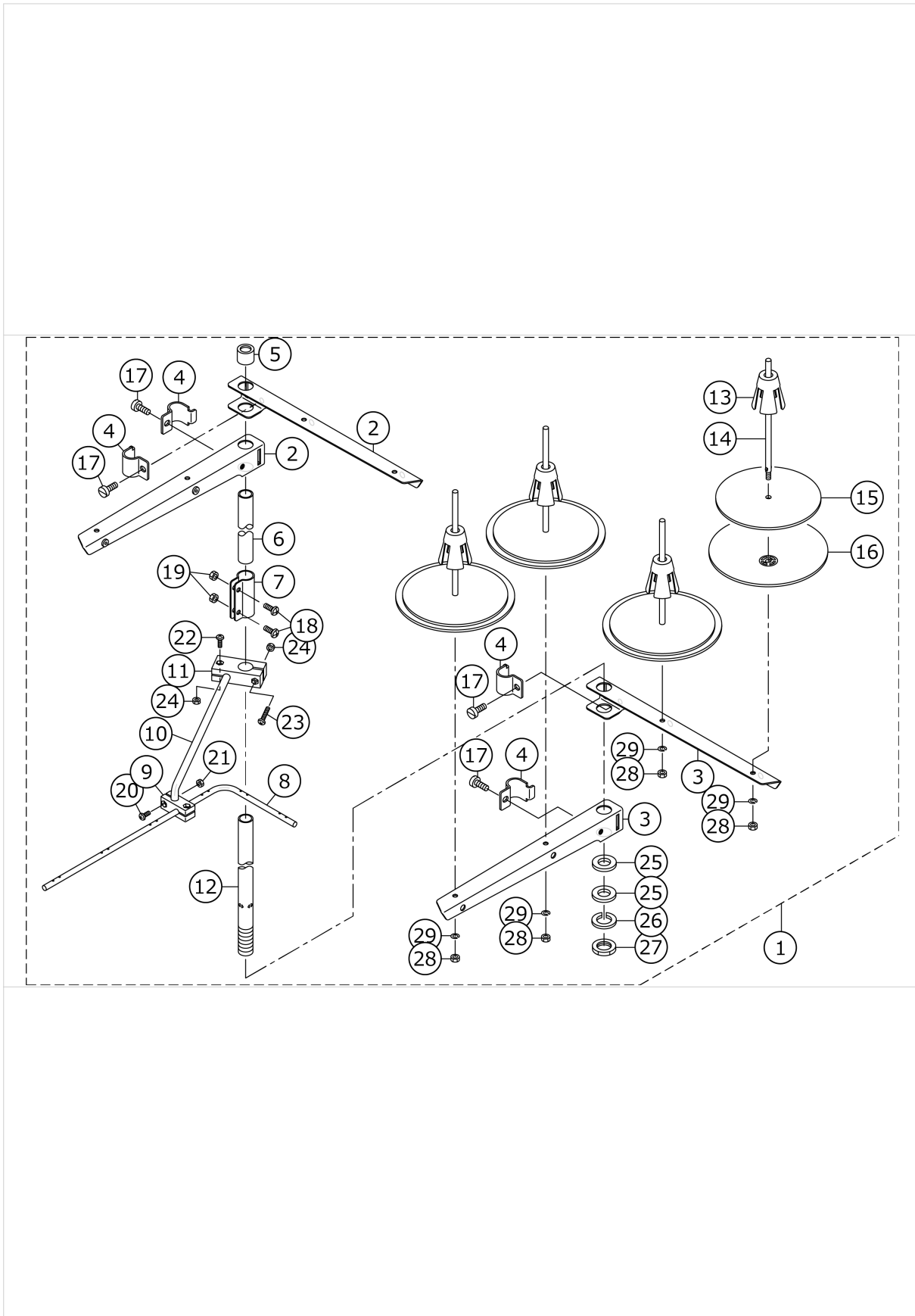
No.	品番	品名	備考	子部品	消耗品	個数
1	25139908	DETECTING FIBER,RIGHT				1.00
2	25140005	DETECTING FIBER,LEFT				1.00
3	25140252	DETECTING AMPLIFER ASM.				1.00
4	16428302	FIBER BKT				2.00
5	PJ032039001	CONNECTOR				2.00
6	PJ308040002	QUICK COUPLING				1.00
7	BT0400251EB	URETHANE HOSE, BLACK				0.28
8	BT0400251EB	URETHANE HOSE, BLACK				0.51
9	BT0400251EB	URETHANE HOSE, BLACK				0.30
10	SL4030691SC	SCREW M3X6				4.00
11	SM6030602TP	SCREW M3X0.5 L=6				4.00
12	WP0320501SC	WASHER M3				4.00
13	SL4030631SC	SCREW M3X6				4.00
14	PV150509000	5-WAY SOLENOID VALVE				1.00
15	25255050	AIR CABLE ASM.				1.00
16	PJ301060503	HALF UNION				1.00
17	PJ301040502	HALF UNION 4XM5				1.00
18	BT0400251EB	URETHANE HOSE, BLACK				2.50
19	BT0600400EC	TUBE HOSE, BLUE				1.50

BELT COVER & BOBBIN WINDER UNIT



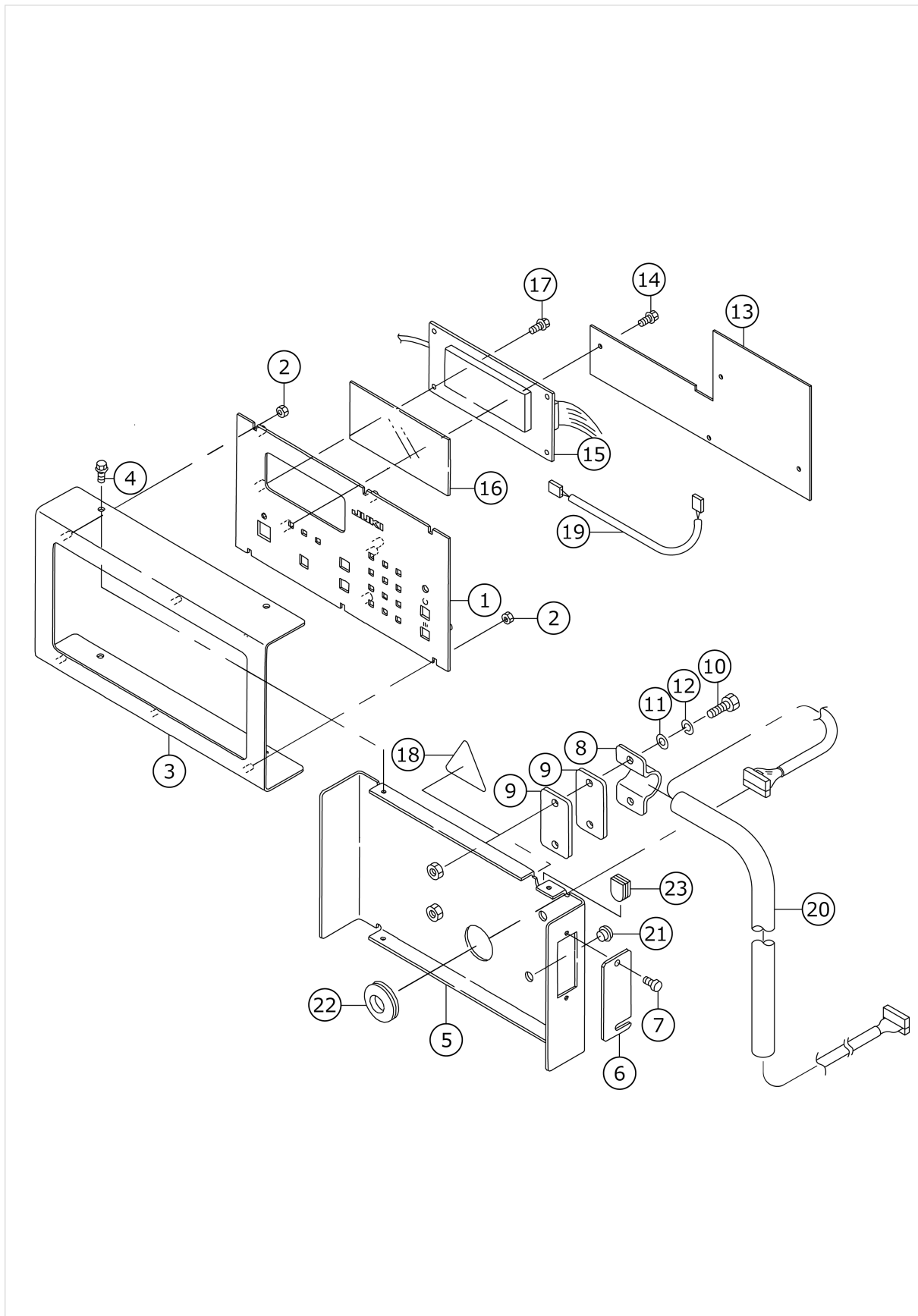
No.	品番	品名	備考	子部品	消耗品	個数
1	10419307	BELT COVER PLATE				1.00
2	SS7110710SP	SCREW 11/64-40 L=7				1.00
3	SS7110510SP	SCREW 11/64-40 L=5				5.00
4	10161503	BELT COVER				1.00
5	WP0621016SD	WASHER 6.2X13X1				1.00
6	SS7150740SP	SCREW 15/64-28 L=7				1.00
7	10039105	BELT COVER SUPPORT STUD				1.00
8	SM4050801SC	SCREW M5X0.8 L=8				2.00
9	WP0531001SC	WASHER				2.00
10	22837553	BOBBIN DEVICE				1.00
11	B3125012000	THREAD TENSION NUT		*		2.00
12	B3129012B00	THREAD TENSION SPRING		*		2.00
13	B3126012000	THREAD TENSION DISK		*		4.00
14	SS7110840SP	SCREW 11/64-40 L=7.8		*		4.00
15	22621056	TENSION BAR BASE		*		2.00
16	11077500	BOBBIN BASE		*		1.00
17	11078102	PRESSER PLATE		*		1.00
18	SS4110515SP	SCREW 11/64-40 L=5		*		1.00
19	B3211555000	RUBBER BRAKE		*		1.00
20	SD0490261SP	HINGE SCREW D=4.9 H=2.6		*		1.00
21	22837504	BOBBIN PRESSER		*		1.00
22	SS7081310SP	SCREW 1/8-44 L=12.5		*		1.00
23	WP0480856SP	WASHER 4.8X8.4X0.8		*		1.00

THREAD STAND COMPONENTS



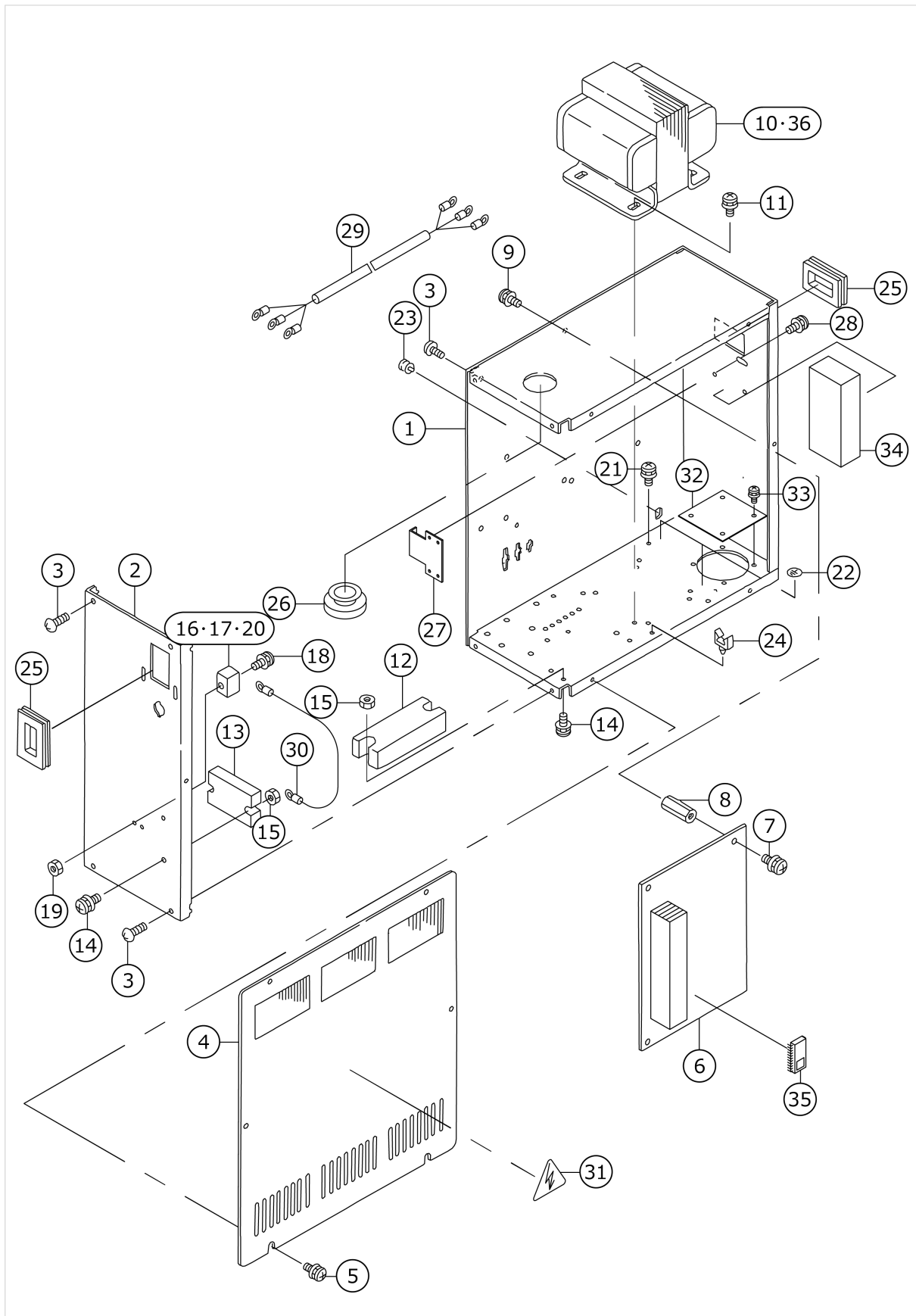
No.	品番	品名	備考	子部品	消耗品	個数
1	13167556	THREAD STANDING DEVICE ASM.				1.00
2	22930556	SPOOL REST ARM ASM.		*		2.00
3	22930507	SPOOL REST ARM		*		2.00
4	22930705	THREAD GUIDE ARM JOINT		*		4.00
5	22931406	THREAD STANDING ROD RUBBER CAP		*		1.00
6	22930408	THREAD STANDING ROD, UPPER		*		1.00
7	22931307	THREAD STANDING ROD JOINT		*		1.00
8	13167903	THREAD STANDING THREAD GUIDE		*		1.00
9	13168000	THREAD STANDING GUIDE BASE		*		1.00
10	13168109	THREAD STANDING GUIDE ARM		*		1.00
11	13168208	THREAD STANDING GUIDE ARM BASE		*		1.00
12	22930309	THREAD STANDING ROD, LOWER		*		1.00
13	22931109	SPOOL RETAINER		*		4.00
14	22931000	SPOOL PIN		*		4.00
15	22930903	SPOOL REST CUSHION		*		4.00
16	22930804	SPOOL REST		*		4.00
17	SM6061610SC	SCREW M6 L=16		*		4.00
18	SM4051405SE	SCREW M5 L=14		*		2.00
19	NM6050001SE	NUT M5		*		2.00
20	SM4041001SC	SCREW M4X0.7 L=10		*		2.00
21	NM6040002SE	NUT M4X0.7		*		2.00
22	SM4041201SC	SCREW M4 L=12		*		1.00
23	SM4042001SC	SCREW M4 X 20		*		1.00
24	NM6040002SE	NUT M4X0.7		*		2.00
25	WP1612616SE	WASHER 16X30X2.6		*		2.00
26	WS1643202KR	SPRING WASHER		*		1.00
27	NM6160511SE	NUT M16X1.5		*		1.00
28	NM6050001SE	NUT M5		*		4.00
29	WS0510002KN	SPRING WASHER		*		4.00

OPERATION BOX COMPONENTS



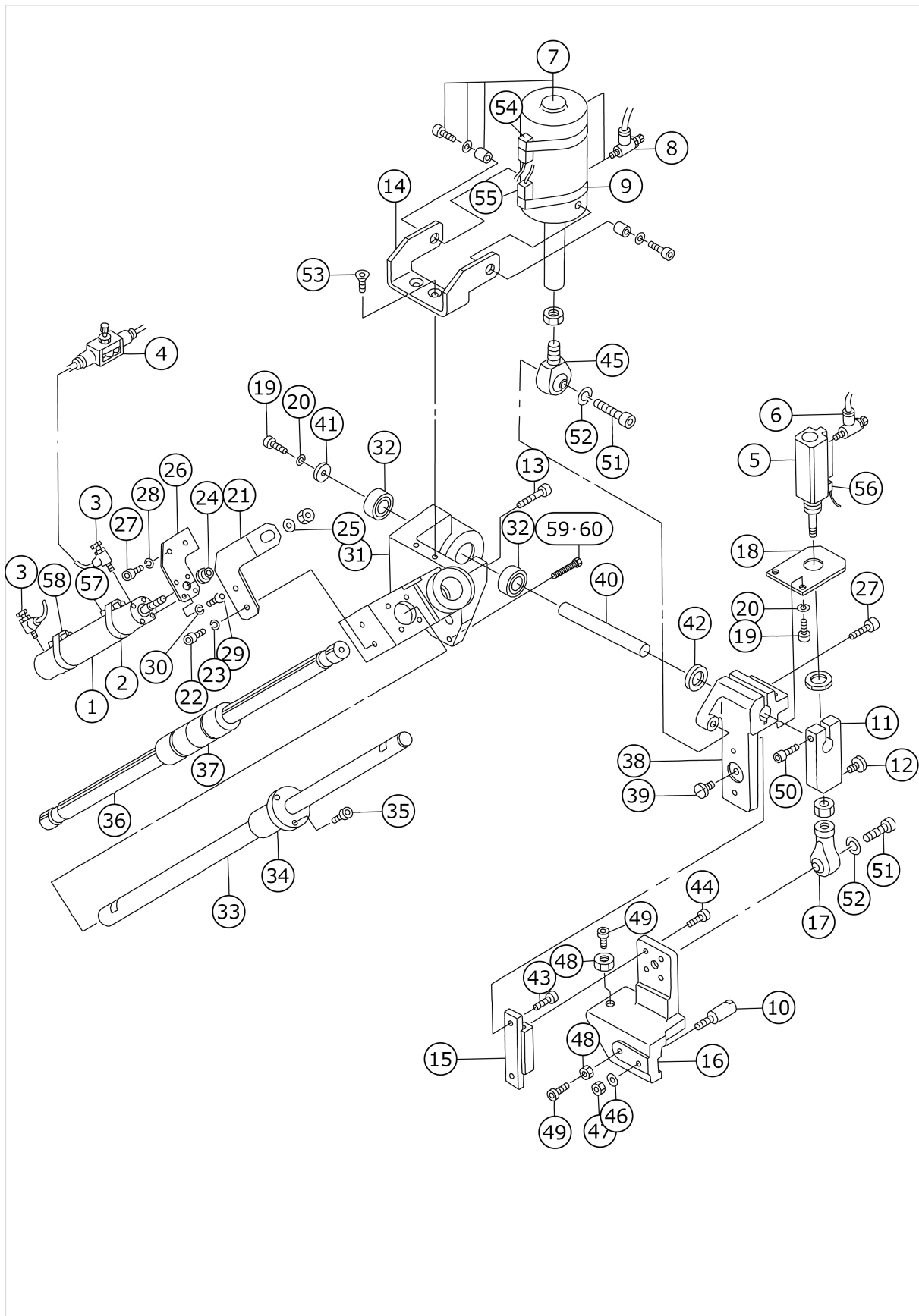
No.	品番	品名	備考	子部品	消耗品	個数
1	G1011192000	OPERATION PANEL				1.00
2	NM6030001SC	NUT M3				6.00
3	G1012192000	FITTING PLATE				1.00
4	SL4030891SC	SCREW M3X8				4.00
5	G1013192000	REAR PLATE				1.00
6	G1014192000	SWITCH COVER				1.00
7	G6010003000	KNOB SCREW				2.00
8	G1015192000	CLAMP				1.00
9	G1016192000	CLAMP BOTTOM PLATE				2.00
10	SM6062002TN	SCREW M6 L=20				2.00
11	WP0641601SC	WASHER				2.00
12	WS0610002KN	SPRING WASHER 6.1X12.2X1.5				2.00
13	G86021950A0	PANEL BASE A ASM.				1.00
14	SL4030681SC	SCREW M3 L=6				4.00
15	G85251920A0	LCD BASE ASM.				1.00
16	G1018192000	PLATE				1.00
17	SL4030681SC	SCREW M3 L=6				4.00
18	G85331920A0	CABLE ASM.				1.00
19	G85321920A0	PANEL BASE FG CABLE ASM.				1.00
20	G85221950A0	PANEL CABLE ASM.				1.00
21	TA0800504R0	PLUG D=8 L=4.5				2.00
22	HX00221000E	BUSH				1.00
23	M1001060000	PLUG				1.00
24	CM300100001	LABEL				1.00

TRANSMISSION BOX COMPONENTS



No.	品番	品名	備考	子部品	消耗品	個数
1	G1001192000	CONTROL BOX FRAME BODY				1.00
2	G1002192000	CONTROL BOX PANEL				1.00
3	SM0040601SC	SCREW M4X0.7 L=6				7.00
4	G1003192000	CONTROL BOX COVER				1.00
5	SL4041091SC	SCREW M4 L=10				6.00
6	G86011960A0	CPU BASE ASM.				1.00
7	SL4030891SC	SCREW M3X8				4.00
8	HX000790000	SPACER				4.00
9	SL4030891SC	SCREW M3X8				4.00
10	G85101960A0	POWER SOURCE TRANSFORMER ASM.	SELECTIVE PARTS			1.00
11	SL4051091SC	SCREW M5X0.8 L=10				4.00
12	HK026650080	TERMINAL BASE 8P				1.00
13	HK026650020	TERMINAL BASE 2P				1.00
14	SL4041291SC	SCREW M4 L=12				4.00
15	NM6040001SC	NUT M4				4.00
16	HF005111000	FUSE HOLDER				1.00
17	HF00511100B	FUSE HOLDER COVER				1.00
18	SL4031481SC	SCREW M3 X 14				1.00
19	NM6030001SC	NUT M3				1.00
20	E9629252000	FUSE 5A				1.00
21	SL4040891SC	SCREW M4 L=8				3.00
22	E9567319000	EARTH MARK				3.00
23	HX004100000	BUSH				1.00
24	HX00222000A	CABLE CLAMP				2.00
25	HX004070000	BUSH				2.00
26	HX00221000B	GROMMET				1.00
27	17845009	CORD FITTING PLATE				1.00
28	SL4041091SC	SCREW M4 L=10				2.00
29	G85121920A0	POWER SWITCH CABLE ASM.				1.00
30	G85111950A0	5V RELAY CABLE ASM.				1.00
31	CM300100001	LABEL				1.00
32	G1001195000	FAN HOLE COVER PLATE				1.00
33	SL4040891SC	SCREW M4 L=8				2.00
34	M86025110A0	P.C BOARD ASM.				1.00
35	HL015930008	IC				1.00
36	G85101960AA	POWER TRANSFORMER A ASM.	SELECTIVE PARTS			1.00

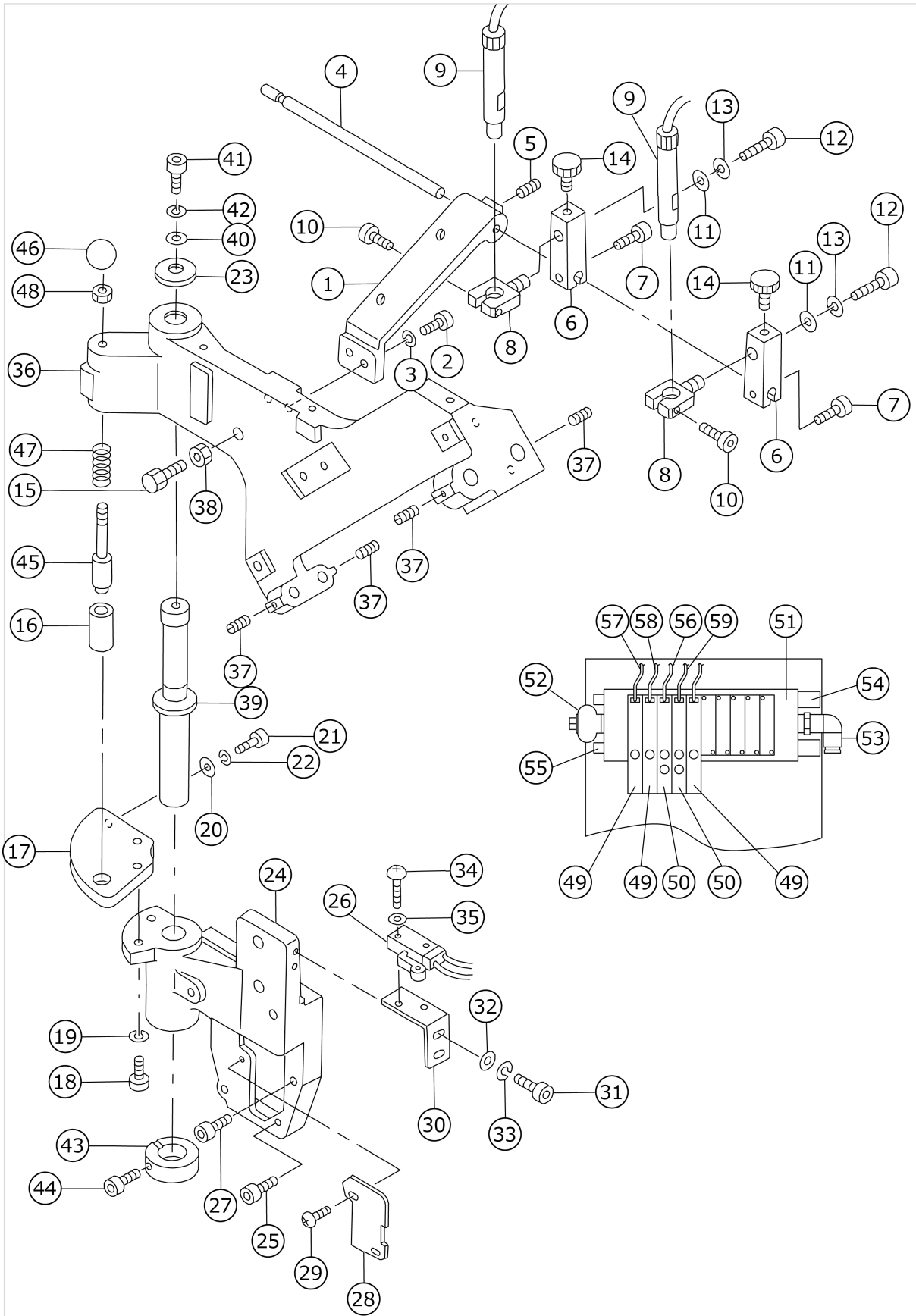
WELT PATCH SUPPLY COMPONENTS (1) (OPTION)



No.	品番	品名	備考	子部品	消耗品	個数
1	PA2513502A0	AIR CYLINDER				1.00
2	PX500053000	BAND				2.00
3	PC015107000	SPEED CONTROLLER				2.00
4	PC012406000	SPEED CONTROLLER				1.00
5	PA1501510A0	PIN CYLINDER				1.00
6	PC010507000	SPEED CONTROLLER				2.00
7	18587709	CYLINDER				1.00
8	PC010508000	SPEED CONTROLLER				2.00
9	25319906	BAND				2.00
10	16654907	PIVOT PIN				1.00
11	18555706	STOPPER				1.00
12	SS6151210SP	SCREW 15/64-28 L=12				1.00
13	16654204	POSITIONING PIN				1.00
14	18555904	SHAFT RECEIVING BASE				1.00
15	16655003	LIMIT GUIDE				1.00
16	18559302	LIFTING PLATE				1.00
17	16960205	ROD END				1.00
18	18556100	CYLINDER BRACKET				1.00
19	SM6051202TP	SCREW M5X0.8 L=12				3.00
20	WS0510002KN	SPRING WASHER				3.00
21	18558205	CONNECTING PLATE				1.00
22	SM6051552TP	SCREW M5 L=15				2.00
23	WS0510002KN	SPRING WASHER				2.00
24	16655508	COLLAR				1.00
25	WP1052001SC	WASHER 10,5X21X2				1.00
26	16655607	CYLINDER BRACKET (2)				1.00
27	SM6052002TP	SCREW M5 L=20				3.00
28	WS0510002KN	SPRING WASHER				2.00
29	SM6041202TP	SCREW M4X0.7 L=12				4.00
30	WS0410002KN	SPRING WASHER				4.00
31	18558106	BEARING CASE				1.00
32	18585208	BEARING				2.00
33	16653503	LINEAR SHAFT				1.00
34	16725400	LINEAR BUSHING				1.00
35	SM8051002TP	SCREW M5 L=10				2.00
36	16653602	BALL SPLINE				1.00
37	16721201	SPLINE NUT				2.00
38	18558007	SWING BASE				1.00
39	SS7120760SP	SCREW 3/16-28 L= 7.0				1.00
40	18556209	FULCRUM SHAFT				1.00
41	16654006	BEARING PRESSER				1.00
42	18555805	COLLAR				1.00
43	SM6041202TP	SCREW M4X0.7 L=12				2.00
44	SM6030802TP	SCREW M3X0.5 L=8				4.00
45	18589408	RODEND				1.00
46	WP1052001SC	WASHER 10,5X21X2				1.00
47	16655508	COLLAR				1.00
48	NM6050001SC	NUT M5				2.00
49	SM6053002TP	SCREW M5X0.8 L=30				2.00
50	SM6062002TP	SCREW M6 L=20				1.00

51	SM6051552TP	SCREW M5 L=15			1.00
52	WS0510002KN	SPRING WASHER			1.00
53	SM1051001SF	SCREW M5 L=10			1.00
54	25323650	CABLE ASM.			1.00
55	25323759	CABLE ASM.			1.00
56	25323858	CABLE ASM.			1.00
57	25322959	SENSOR CABLE ASM.			1.00
58	25322157	CABLE ASM.			1.00
59	16655805	POSITIONING PIN B	FOR WELT PATCH SAPPLY(RIGHT TYPE)		1.00
60	16657108	POSITIONING PIN	FOR WELT PATCH SAPPLY(LEFT T YPE)		1.00

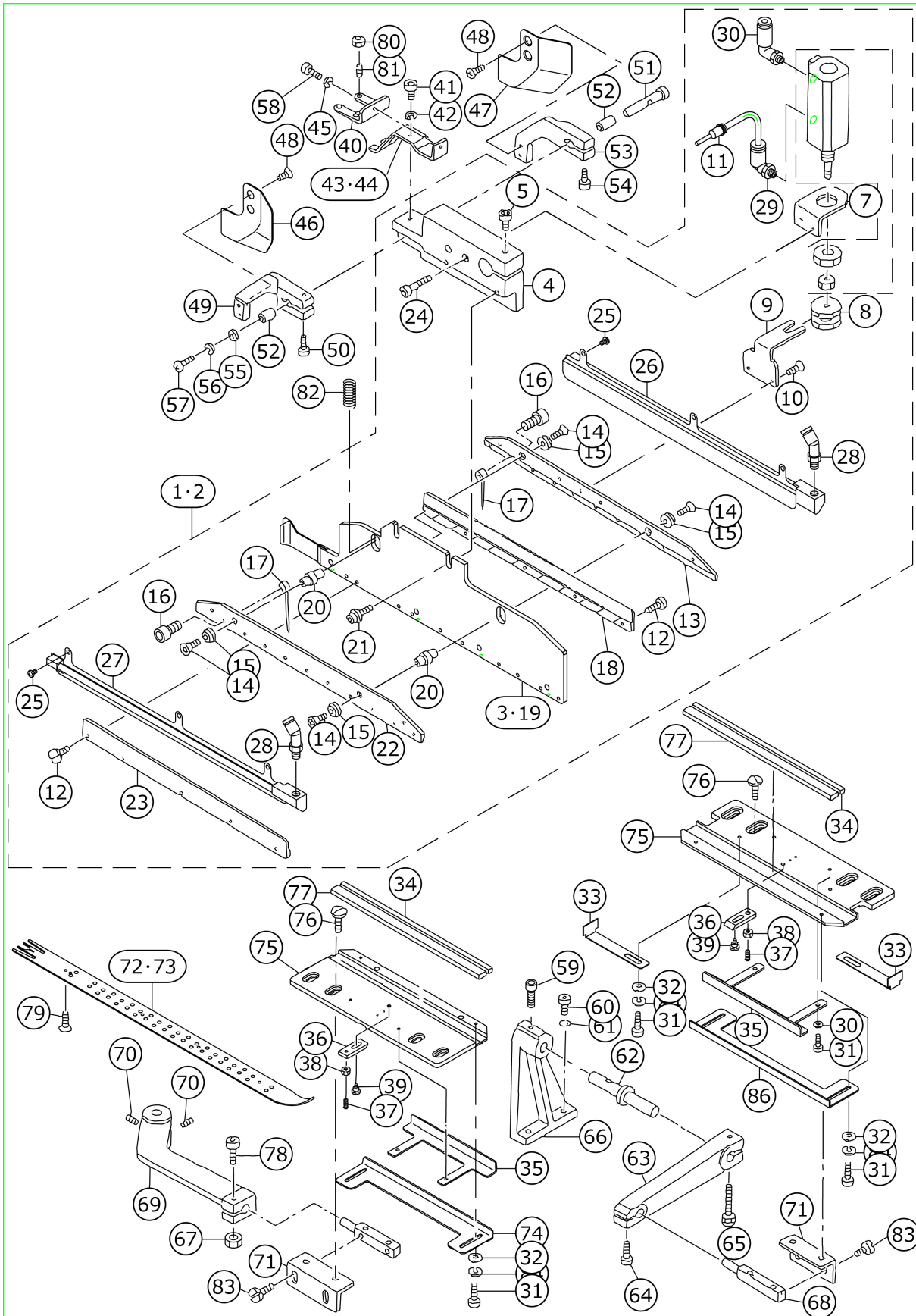
WELT PATCH SUPPLY COMPONENTS (2) (OPTION)



No.	品番	品名	備考	子部品	消耗品	個数
1	16655904	LIGHT INSTALLING ARM				1.00
2	SM6052002TP	SCREW M5 L=20				2.00
3	WS0510002KN	SPRING WASHER				2.00
4	18584706	MARKER SHAFT (RIGHT)				1.00
5	SM8040502TP	SCREW M4X0.7 L=5				1.00
6	16656100	LIGHT BRACKET (1)				2.00
7	SM6051602TP	SCREW M5X0.8 L=16				2.00
8	16656209	LIGHT BRACKET (2)				2.00
9	25325754	CROSS MARKING LIGHT ASM.				2.00
10	SM6051602TP	SCREW M5X0.8 L=16				2.00
11	16724403	WASHER				2.00
12	SM6051202TP	SCREW M5X0.8 L=12				2.00
13	WS0510002KN	SPRING WASHER				2.00
14	G5338116000	CLAMP BOLT				2.00
15	16698409	STOPPER BOLT				1.00
16	16653107	GUIDE COLLAR				1.00
17	16653206	POSITIONING PLATE				1.00
18	SM6062002TP	SCREW M6 L=20				2.00
19	WS0610002KN	SPRING WASHER 6.1X12.2X1.5				2.00
20	16724403	WASHER				1.00
21	SM6051202TP	SCREW M5X0.8 L=12				1.00
22	WS0510002KN	SPRING WASHER				1.00
23	16653305	THRUST WASHER				1.00
24	16652406	BINDER BRACKET				1.00
25	SM6052002TP	SCREW M5 L=20				3.00
26	G85162310A0	BINDER CABLE ASM.				1.00
27	16652505	POSITIONING PIN				1.00
28	18551002	BINDER BRACKET COVER				1.00
29	SM0040601SC	SCREW M4X0.7 L=6				2.00
30	16652703	SENSOR BRACKET				1.00
31	SM6041002TP	SCREW M4 L=10				2.00
32	WP0430800SC	WASHER M4				2.00
33	WS0410002KN	SPRING WASHER				2.00
34	SM4031201SN	SCREW M3 X 12				2.00
35	WP0320500SC	WASHER M3				2.00
36	16652802	BINDER SLIDE BASE				1.00
37	SM8051402TP	SCREW M5 L=14				4.00
38	NM6060001SC	NUT M6				1.00
39	16652901	BINDER SHAFT				1.00
40	16724502	WASHER				1.00
41	SM6081542CP	SCREW M8X1.25 L=15				1.00
42	WS0820002KN	SPRING WASHER M8				1.00
43	16724007	SLIT COLLAR				1.00
44	SM6062502TP	SCREW M6 L=25				1.00
45	16653008	STOPPER PIN				1.00
46	16722902	KNOB				1.00
47	16723801	SPRING				1.00
48	NM6060001SC	NUT M6				1.00
49	PV130202200	3-WAY SOLENOID VALVE				3.00
50	PV150206000	5-PORT CUT-OVER SOLENOID VALVE				2.00

51	PV035148000	MANI HOLD				1.00
52	PJ309065101	UNIVERSAL EIBOW				1.00
53	PJ304065101	ELBOW UNION 6XPT1/8				1.00
54	PX055104000	SILENCER (PT1/8)				2.00
55	PJ025100001	1/8 PLUG				2.00
56	25359159	CABLE ASM.				1.00
57	25359258	CABLE ASM.				1.00
58	25359357	CABLE ASM.				1.00
59	25359456	CABLE ASM.				1.00

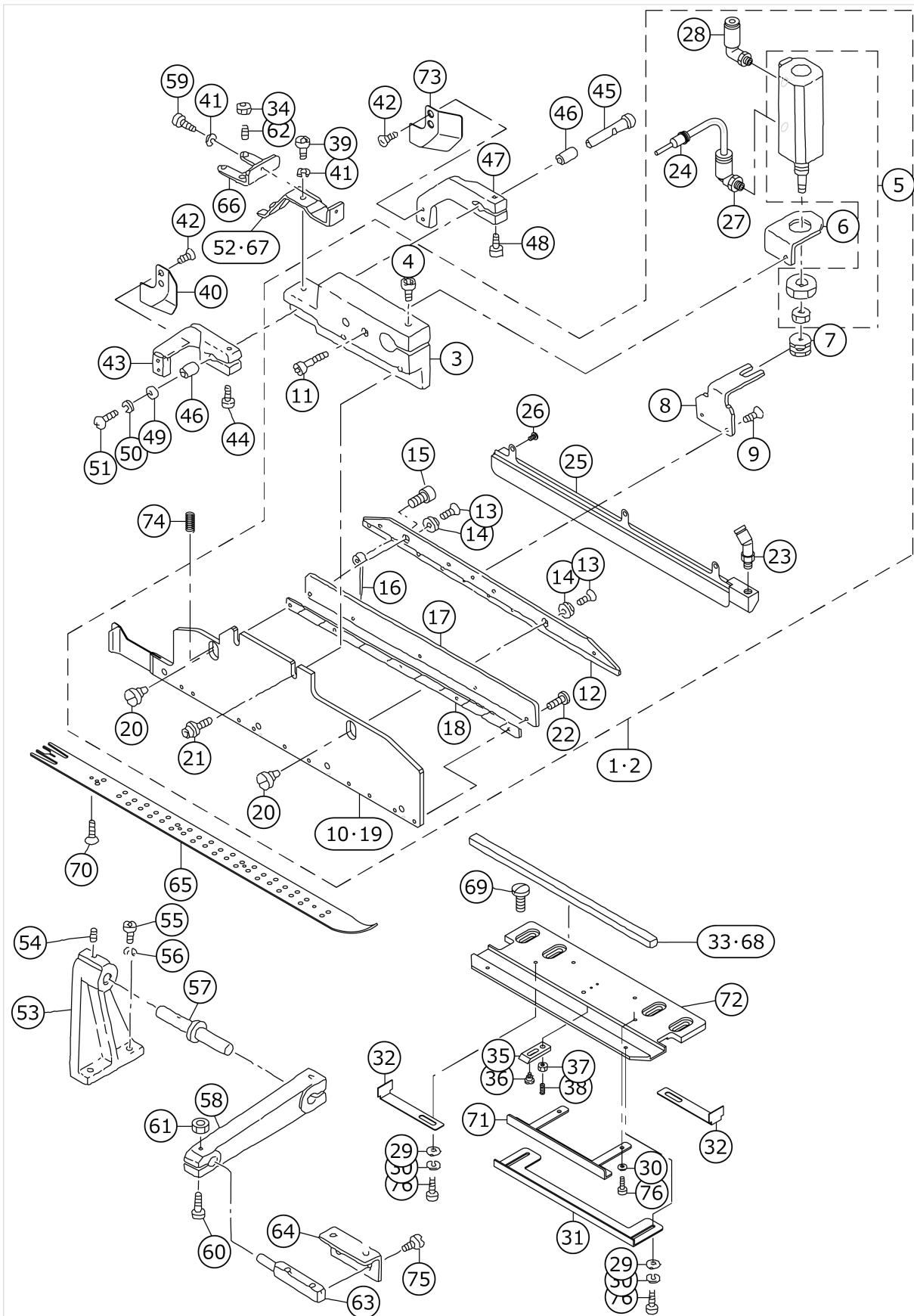
WELT PATCH SUPPLY COMPONENTS (3) (FOR DOUBLE WELT) (OPTION)



No.	品番	品名	備考	子部品	消耗品	個数
1	25369562	DOUBLE WELT BINDER UNIT, LEFT				1.00
2	25369661	DOUBLE WELT BINDER UNIT, RIGHT				1.00
3	16670309	BINDER PLATE		*		1.00
4	16671406	BINDER INSTALLATION BASE		*		1.00
5	SM6062502TP	SCREW M6 L=25		*		1.00
6	PA1500503A0	PIN CYLINDER		*		1.00
7	16671604	CYLINDER BRACKET B		*		1.00
8	16655201	CYLINDER CONNECTOR		*		1.00
9	16671505	CYLINDER BRACKET A		*		1.00
10	SM1041001SC	SCREW M4X0.7 L=10		*		2.00
11	PJ020000001	PLUG		*		1.00
12	SS5060410SP	SCREW 3/32-56 L=3.5		*		10.00
13	16670713	NEEDLE		*		1.00
14	SM1030601SC	SCREW M3 L=6		*		4.00
15	16671109	CAP		*		4.00
16	SM6020452TP	HEXAGONAL HOLE BOLT		*		20.00
17	16671208	NEEDLE		*		20.00
18	16670507	NEEDLE GUIDE, RIGHT		*		1.00
19	16701906	SPACER		*		1.00
20	16671000	SPACER PIN		*		2.00
21	G5377139000	SCREW M4 L=8		*		2.00
22	16670614	NEEDLE PLATE		*		1.00
23	16670408	NEEDLE GUIDE, LEFT		*		1.00
24	SM6042002TP	SCREW M4X0.7 L=20		*		1.00
25	SS5060410SP	SCREW 3/32-56 L=3.5		*		6.00
26	18565259	NEEDLE COVER WITH PIPE, RIGHT		*		1.00
27	18565150	NEEDLE COVER WITH PIPE, LEFT		*		1.00
28	PJ309040501	ELBOW UNION		*		2.00
29	PJ304040504	ELBOW UNION		*		1.00
30	PJ240004300	ELBOW UNION		*		1.00
31	SM6030602TP	SCREW M3X0.5 L=6				6.00
32	WP0320500SC	WASHER M3				6.00
33	18337501	STOPPER (C)				2.00
34	16674103	RUBBER				1.00
35	16705600	WELT PATCH STOPPER (B)				1.00
36	16705709	CHANGE PLATE				1.00
37	16545105	BALL PLUNGER				4.00
38	NM6050001SC	NUT M5				1.00
39	SD0450401SP	HINGE SCREW D= 4.5 H= 4				1.00
40	16672107	STOPPER BASE				1.00
41	SM6041002TP	SCREW M4 L=10				1.00
42	WS0410002KN	SPRING WASHER				1.00
43	16672206	WORKPIECE GUIDE SPRING A	FOR 8,10,12,14MM			1.00
44	16672305	WORKPIECE GUIDE SPRING B	FOR 16,18,20MM			1.00
45	WS0410002KN	SPRING WASHER				1.00
46	25375205	CLOTH GUIDE A ,LEFT				1.00
47	25375403	WORKPIECE GUIDE B ,RIGHT				1.00
48	SS1060610SP	SCREW 3/32-56 L=5.5				4.00
49	16672016	CLOTH GUIDE ARM (LEFT)				1.00

50	SM6031202TP	SCREW M3X0.5 L=12				1.00
51	16671703	GUIDE PIN				1.00
52	16671802	ARM BUSHING				2.00
53	16671919	CLOTH GUIDE ARM (RIGHT)				1.00
54	SM6031202TP	SCREW M3X0.5 L=12				1.00
55	G5329116000	WASHER D=8				1.00
56	WS0310002KN	SPRING WASHER M3				1.00
57	SM4030601SN	SCREW M3 X 6				1.00
58	SM6040802TR	SCREW M4X0.7 L=8				1.00
59	SM6051602TP	SCREW M5X0.8 L=16				1.00
60	SM6052002TP	SCREW M5 L=20				2.00
61	WS0510002KN	SPRING WASHER				2.00
62	16656605	PIVOT SHAFT				1.00
63	16656704	ARM				1.00
64	SM6052502TP	SCREW M5X0.8 L=25				1.00
65	16655805	POSITIONING PIN B				1.00
66	16656506	BASE				1.00
67	16725608	NUT				1.00
68	16656803	BRACKET				2.00
69	16657009	ARM				1.00
70	SM8050812TP	SCREW M5X8				2.00
71	16705808	BRACKET				2.00
72	25313800	WELT PATCH BASE PLATE	FOR 8,10,12,14MM			1.00
73	25313909	WELT PATCH BASE PLATE	FOR 8,10,12,14MM			1.00
74	16705501	WELT PATCH STOPPER (A)				2.00
75	18337402	WELT PATCH HOLDING PLATE				2.00
76	SS6111140SP	SCREW 11/64-40 L=11				4.00
77	16673014	NEEDLE HOLDER RUBBER				2.00
78	16657108	POSITIONING PIN				1.00
79	G5333119000	SCREW M2 L=4	FOR 8,10,12,14MM			1.00
80	NM6040001SC	NUT M4				4.00
81	SM8041552TP	SCREW M4 L=15				4.00
82	25377409	RETURN SPRING				2.00
83	SS6110810TP	SCREW 11/64-40 L=8				4.00
84	WS0310002KN	SPRING WASHER M3				6.00

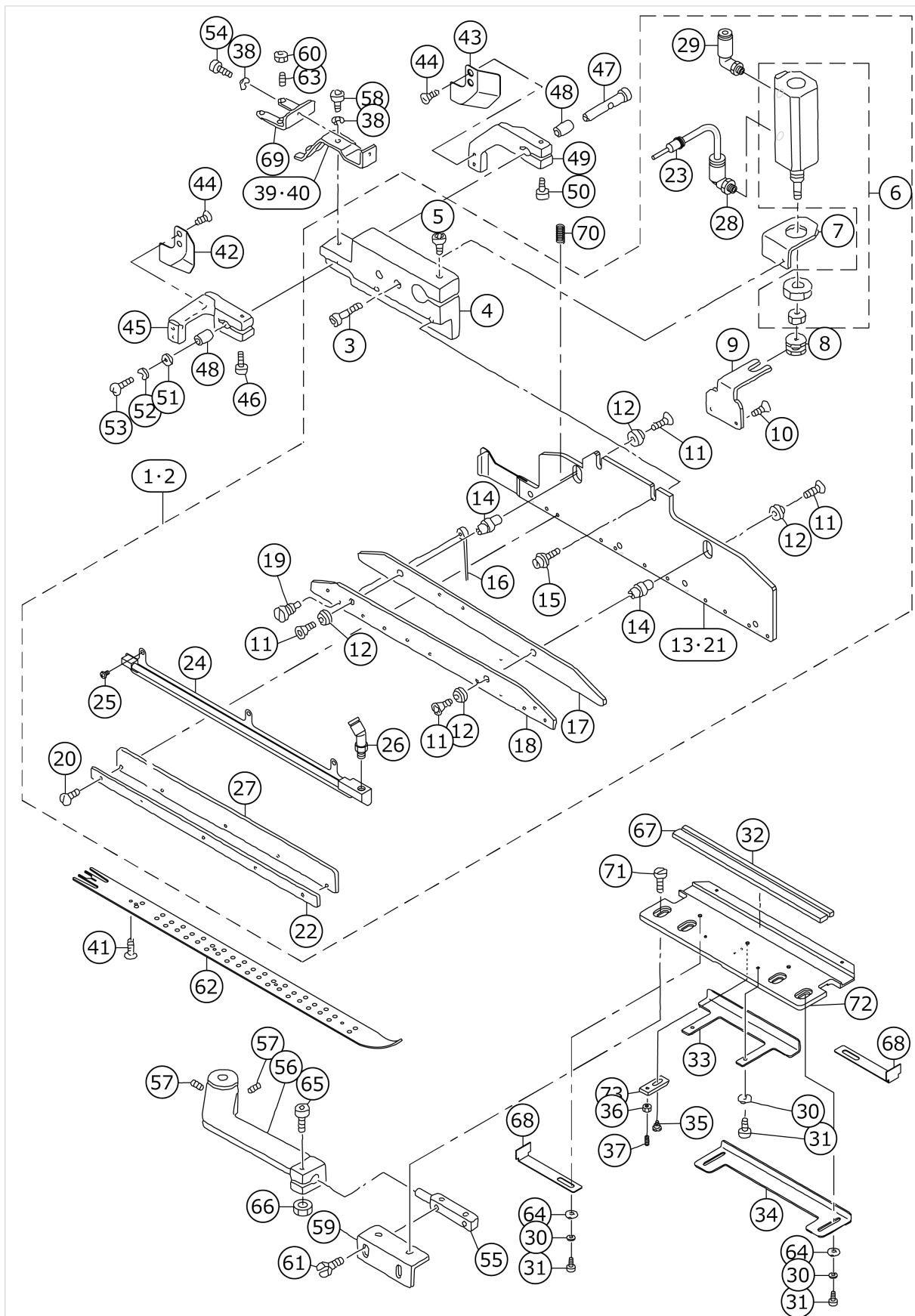
WELT PATCH SUPPLY COMPONENTS (4) (FOR SINGLE WELT RIGHT) (OPTION)



No.	品番	品名	備考	子部品	消耗品	個数
1	25369760	BINDER UNIT, LEFT				1.00
2	25369869	BINDER UNIT, RIGHT				1.00
3	16671406	BINDER INSTALLATION BASE		*		1.00
4	SM6062502TP	SCREW M6 L=25		*		1.00
5	PA1500503A0	PIN CYLINDER		*		1.00
6	16671604	CYLINDER BRACKET B		*		1.00
7	16655201	CYLINDER CONNECTOR		*		1.00
8	16671505	CYLINDER BRACKET A		*		1.00
9	SM1041001SC	SCREW M4X0.7 L=10		*		2.00
10	16670309	BINDER PLATE		*		1.00
11	SM6042002TP	SCREW M4X0.7 L=20		*		2.00
12	16673410	NEEDLE PLATE		*		1.00
13	SM1030601SC	SCREW M3 L=6		*		2.00
14	16671109	CAP		*		2.00
15	SM6020452TP	HEXAGONAL HOLE BOLT		*		20.00
16	16671208	NEEDLE		*		20.00
17	16673600	GUIDE COVER		*		1.00
18	16673303	NEEDLE GUIDE		*		1.00
19	16701906	SPACER		*		1.00
20	16673709	SPACER PIN		*		2.00
21	G5377139000	SCREW M4 L=8		*		2.00
22	SS7060610SP	SCREW 3/32-56 L= 5.5		*		5.00
23	PJ309040501	ELBOW UNION		*		1.00
24	PJ020000001	PLUG		*		1.00
25	18565457	NEEDLE COVER ASM.		*		1.00
26	SS5060410SP	SCREW 3/32-56 L=3.5		*		3.00
27	PJ304040504	ELBOW UNION		*		1.00
28	PJ240004300	ELBOW UNION		*		1.00
29	WP0320500SC	WASHER M3				2.00
30	WS0310002KN	SPRING WASHER M3				2.00
31	16705600	WELT PATCH STOPPER (B)				1.00
32	18337501	STOPPER (C)				2.00
33	16673014	NEEDLE HOLDER RUBBER				1.00
34	NM6040001SC	NUT M4				4.00
35	16705709	CHANGE PLATE				1.00
36	16545105	BALL PLUNGER				1.00
37	NM6050001SC	NUT M5				1.00
38	SD0450401SP	HINGE SCREW D= 4.5 H= 4				1.00
39	SM6041002TP	SCREW M4 L=10				1.00
40	25375205	CLOTH GUIDE A ,LEFT				1.00
41	WS0410002KN	SPRING WASHER				1.00
42	SS1060610SP	SCREW 3/32-56 L=5.5				4.00
43	16672016	CLOTH GUIDE ARM (LEFT)				1.00
44	SM6041002TP	SCREW M4 L=10				1.00
45	16671703	GUIDE PIN				1.00
46	16671802	ARM BUSHING				1.00
47	16671919	CLOTH GUIDE ARM (RIGHT)				1.00
48	SM6041002TP	SCREW M4 L=10				1.00
49	G5329116000	WASHER D=8				1.00
50	WS0310002KN	SPRING WASHER M3				1.00

51	SM4030601SN	SCREW M3 X 6				1.00
52	16672206	WORKPIECE GUIDE SPRING A	FOR 8,10,12,14MM			1.00
53	16656506	BASE				1.00
54	SM8051002TP	SCREW M5 L=10				1.00
55	SM6052002TP	SCREW M5 L=20				2.00
56	WS0510002KN	SPRING WASHER				2.00
57	16656605	PIVOT SHAFT				1.00
58	16656704	ARM				1.00
59	SM6040802TP	SCREW M4X0.7 L=8				4.00
60	16655805	POSITIONING PIN B				1.00
61	16725608	NUT				1.00
62	SM8041552TP	SCREW M4 L=15				4.00
63	16656803	BRACKET				1.00
64	16705808	BRACKET				1.00
65	25315904	WELT PATCH BASE PLATE	FOR 8,10,12,14MM			1.00
66	16672107	STOPPER BASE				1.00
67	16672305	WORKPIECE GUIDE SPRING B	FOR 16,18,20MM			1.00
68	16674103	RUBBER				1.00
69	SS6111140SP	SCREW 11/64-40 L=11				2.00
70	G5333119000	SCREW M2 L=4				4.00
71	16705501	WELT PATCH STOPPER (A)				1.00
72	18337402	WELT PATCH HOLDING PLATE				1.00
73	25375304	WORKPIECE GUIDE A ,RIGHT				1.00
74	25377409	RETURN SPRING				1.00
75	SS6110810TP	SCREW 11/64-40 L=8				2.00
76	SM6030602TP	SCREW M3X0.5 L=6				2.00

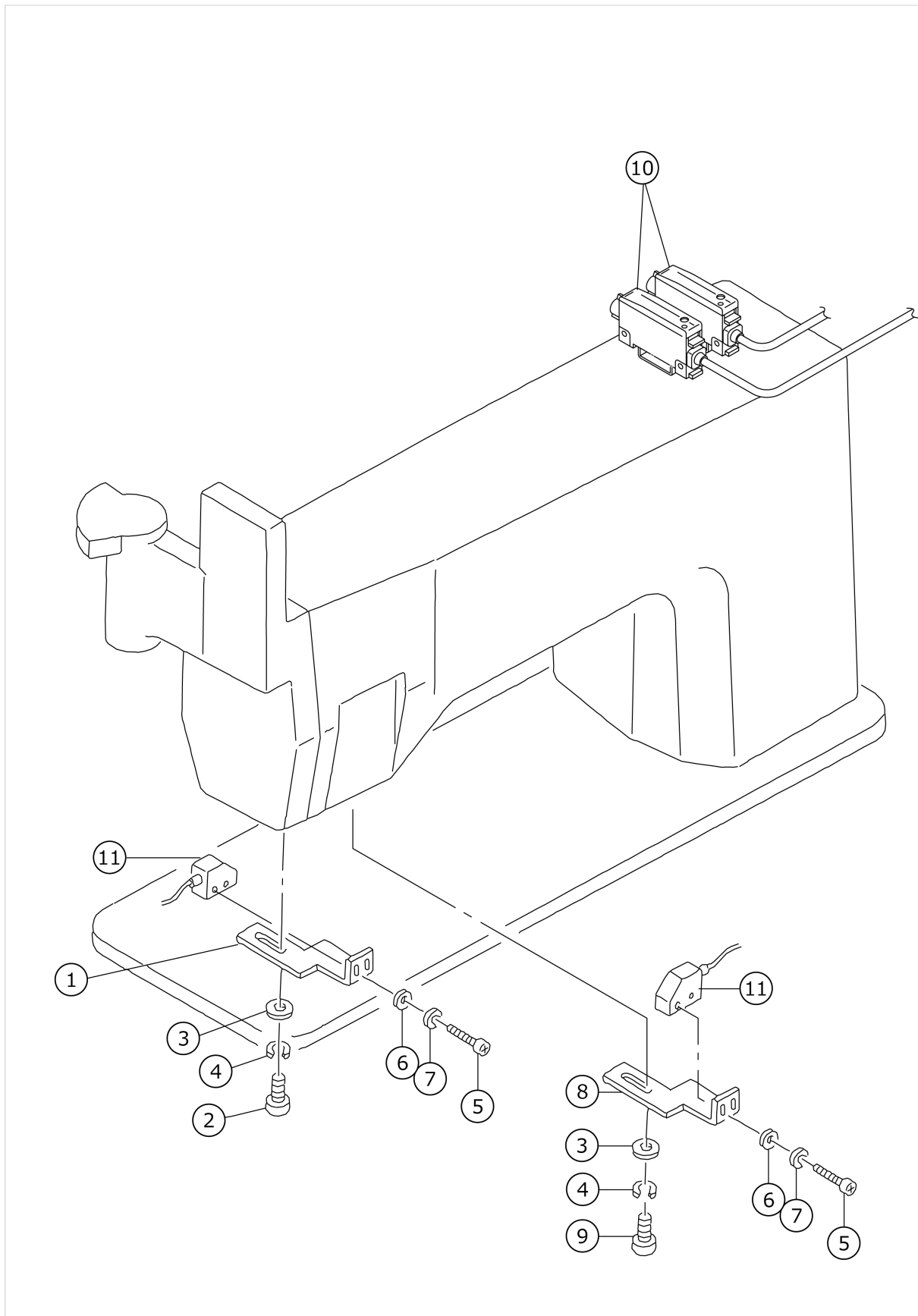
WELT PATCH SUPPLY COMPONENTS (5) (FOR SINGLE WELT LEFT) (OPTION)



No.	品番	品名	備考	子部品	消耗品	個数
1	25369968	BINDER UNIT, LEFT				1.00
2	25370065	LEFT SINGLE WELT BINDER UNIT				1.00
3	SM6042002TP	SCREW M4X0.7 L=20		*		2.00
4	16671406	BINDER INSTALLATION BASE		*		1.00
5	SM6062502TP	SCREW M6 L=25		*		1.00
6	PA1500503A0	PIN CYLINDER		*		1.00
7	16671604	CYLINDER BRACKET B		*		1.00
8	16655201	CYLINDER CONNECTOR		*		1.00
9	16671505	CYLINDER BRACKET A		*		1.00
10	SM1041001SC	SCREW M4X0.7 L=10		*		2.00
11	SM1030601SC	SCREW M3 L=6		*		4.00
12	16671109	CAP		*		4.00
13	16670309	BINDER PLATE		*		1.00
14	16671000	SPACER PIN		*		2.00
15	G5377139000	SCREW M4 L=8		*		2.00
16	16671208	NEEDLE		*		20.00
17	16674400	NEEDLE GUIDE SPACER		*		1.00
18	16674210	NEEDLE PLATE		*		1.00
19	SM6020452TP	HEXAGONAL HOLE BOLT		*		20.00
20	SS7060610SP	SCREW 3/32-56 L= 5.5		*		5.00
21	16701906	SPACER		*		1.00
22	16673303	NEEDLE GUIDE		*		1.00
23	PJ020000001	PLUG		*		1.00
24	18565358	NEEDLE COVER ASM., LEFT		*		1.00
25	SS5060410SP	SCREW 3/32-56 L=3.5		*		3.00
26	PJ309040501	ELBOW UNION		*		1.00
27	16673600	GUIDE COVER		*		1.00
28	PJ304040504	ELBOW UNION		*		1.00
29	PJ240004300	ELBOW UNION		*		1.00
30	WS0310002KN	SPRING WASHER M3				2.00
31	SM6030602TP	SCREW M3X0.5 L=6				2.00
32	16674103	RUBBER				2.00
33	16705501	WELT PATCH STOPPER (A)				1.00
34	18337501	STOPPER (C)				4.00
35	16545105	BALL PLUNGER				1.00
36	NM6050001SC	NUT M5				1.00
37	SD0450401SP	HINGE SCREW D= 4.5 H= 4				1.00
38	WS0410002KN	SPRING WASHER				1.00
39	16672206	WORKPIECE GUIDE SPRING A	FOR 8,10,12,14MM			1.00
40	16672305	WORKPIECE GUIDE SPRING B	FOR 16,18,20MM			1.00
41	G5333119000	SCREW M2 L=4				1.00
42	25375205	CLOTH GUIDE A ,LEFT				1.00
43	25375304	WORKPIECE GUIDE A ,RIGHT				1.00
44	SS1060610SP	SCREW 3/32-56 L=5.5				4.00
45	16672016	CLOTH GUIDE ARM (LEFT)				1.00
46	SM6031202TP	SCREW M3X0.5 L=12				1.00
47	16671703	GUIDE PIN				1.00
48	16671802	ARM BUSHING				2.00
49	16671919	CLOTH GUIDE ARM (RIGHT)				1.00

50	SM6031202TP	SCREW M3X0.5 L=12				1.00
51	G5329116000	WASHER D=8				1.00
52	WS0310002KN	SPRING WASHER M3				1.00
53	SM4030601SN	SCREW M3 X 6				1.00
54	SM6040802TR	SCREW M4X0.7 L=8				1.00
55	16656803	BRACKET				1.00
56	16657009	ARM				1.00
57	SM6061602TP	SCREW M6 L=16				2.00
58	SM6041002TP	SCREW M4 L=10				1.00
59	16705808	BRACKET				1.00
60	NM6040001SC	NUT M4				1.00
61	SS6110810TP	SCREW 11/64-40 L=8				2.00
62	25315201	WELT PATCH BASE PLATE	FOR 8,10,12,14MM			1.00
63	SM8041552TP	SCREW M4 L=15				4.00
64	WP0320500SC	WASHER M3				1.00
65	16657108	POSITIONING PIN				1.00
66	16725608	NUT				1.00
67	16674103	RUBBER				1.00
68	18337501	STOPPER (C)				2.00
69	16672107	STOPPER BASE				1.00
70	25377409	RETURN SPRING				2.00
71	SS6111140SP	SCREW 11/64-40 L=11				2.00
72	18337402	WELT PATCH HOLDING PLATE				1.00
73	16705709	CHANGE PLATE				1.00

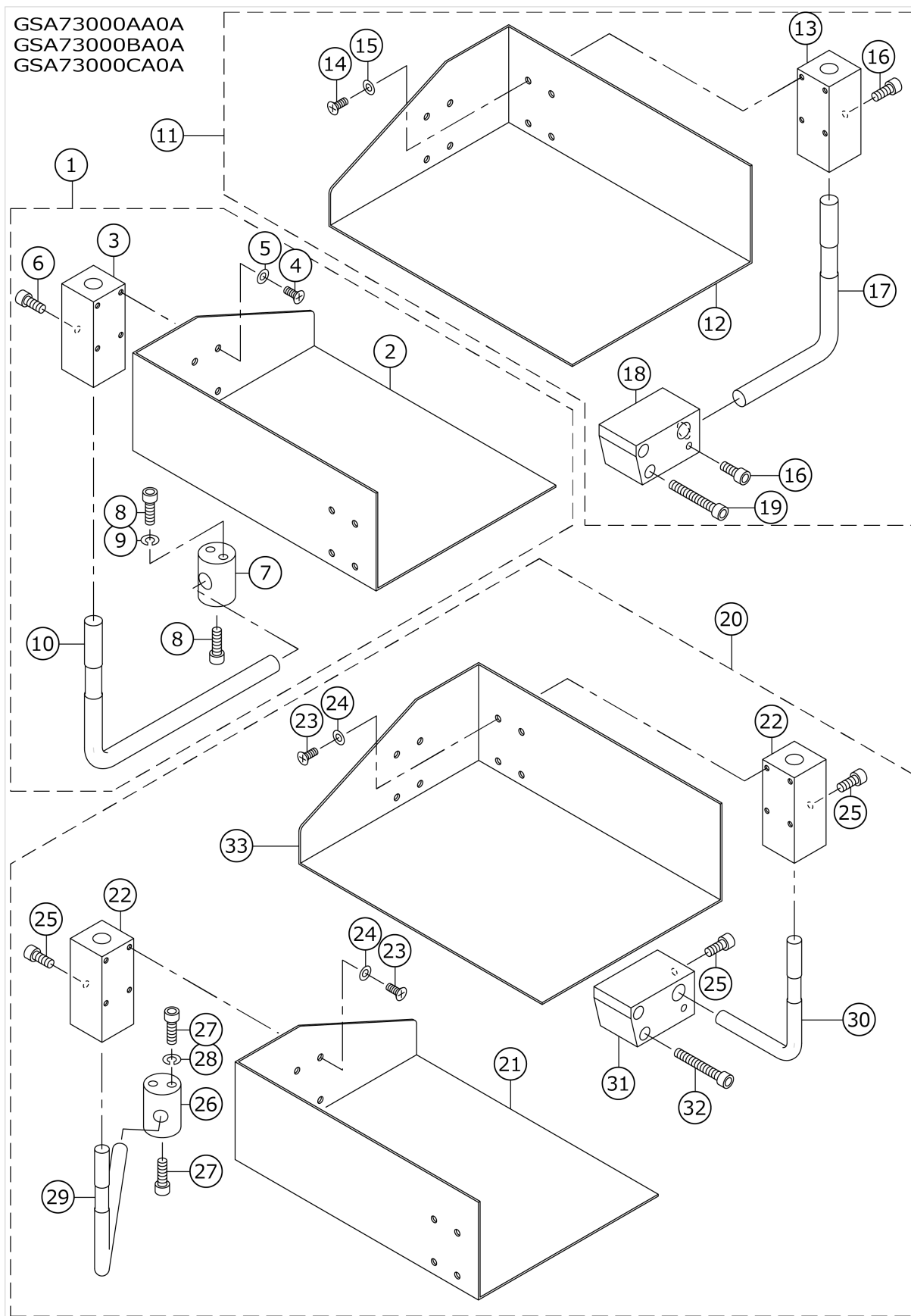
WELT PATCH SUPPLY COMPONENTS (6) (OPTION)



No.	品番	品名	備考	子部品	消耗品	個数
1	18551507	SENSOR BRACKET (1) LEFT				1.00
2	SM6040802TP	SCREW M4X0.7 L=8				2.00
3	WP0430800SC	WASHER M4				4.00
4	WS0410002KN	SPRING WASHER				4.00
5	SM3031000SC	SCREW M3X0.5 L=10				4.00
6	WP0320500SC	WASHER M3				4.00
7	WS0310002KN	SPRING WASHER M3				4.00
8	18551606	SENSOR BRACKET (1) RIGHT				1.00
9	SS6091022TP	SCREW				2.00
10	25323155	CABLE ASM.				2.00
11	25326000	FLAP FIBER UNIT				2.00

SA-73N:AUXILIARY PLASING BASE (OPTION)

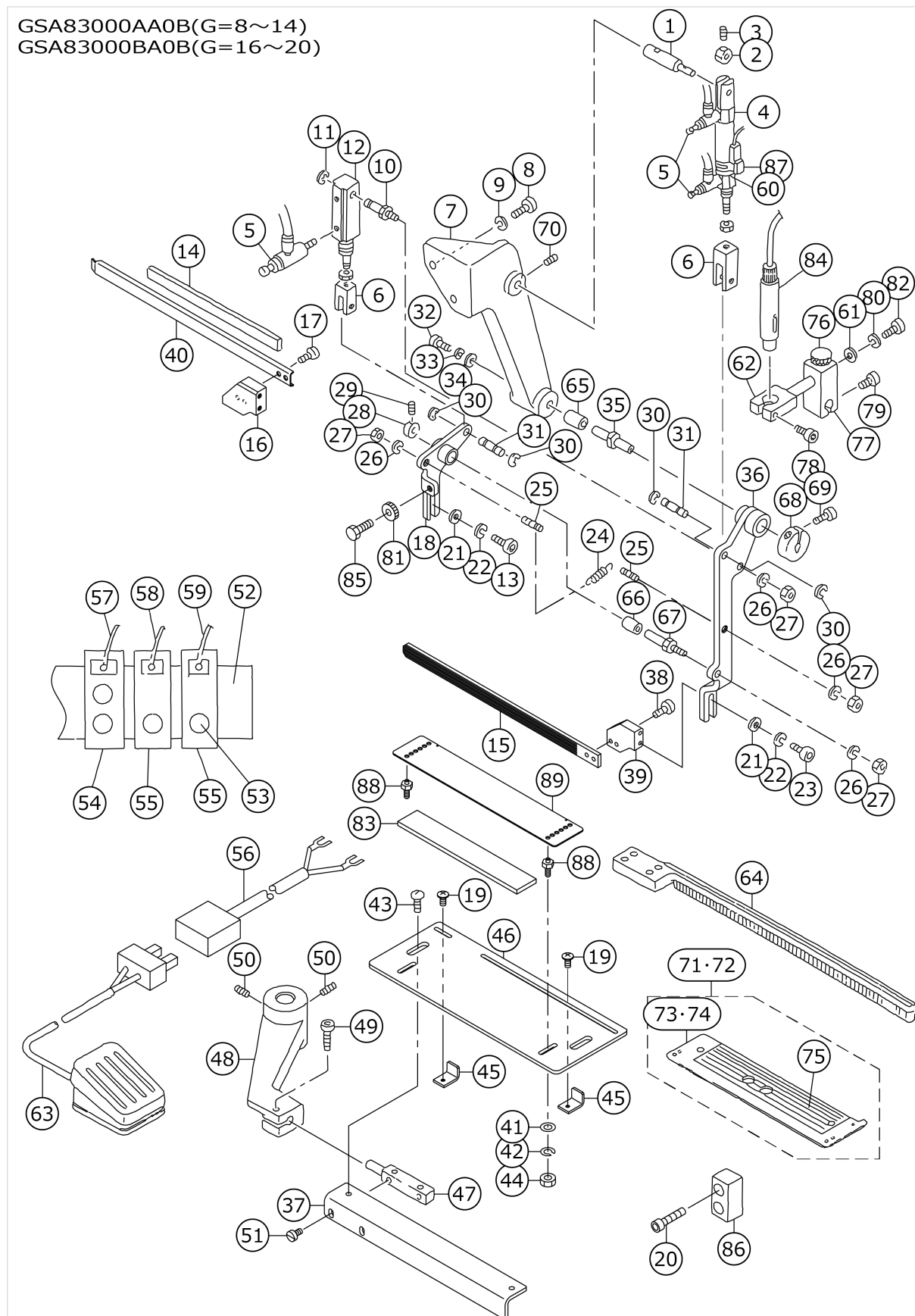
GSA73000AA0A
GSA73000BA0A
GSA73000CA0A



No.	品番	品名	備考	子部品	消耗品	個数
1	GSA73000AA0	AUXILIARY PLACING BASE ASM.(L)				1.00
2	25375601	AUXILIARY PLACING BASE (L)		*		1.00
3	18583807	PLACING BASE METAL		*		1.00
4	SM1041001SC	SCREW M4X0.7 L=10		*		4.00
5	18588202	WASHER		*		4.00
6	SM6051202TP	SCREW M5X0.8 L=12		*		1.00
7	16804700	POCKET CLOTH BRACKET		*		1.00
8	SM6051602TP	SCREW M5X0.8 L=16		*		2.00
9	WS0510002KN	SPRING WASHER		*		2.00
10	16804908	POCKET BAG HOLDING L ROD		*		1.00
11	GSA73000BA0	AUXILIARY PLACING BASE ASM.(R)				1.00
12	25375700	AUXILIARY PLACING BASE ASM.(R)		*		1.00
13	18583807	PLACING BASE METAL		*		1.00
14	SM1041001SC	SCREW M4X0.7 L=10		*		4.00
15	18588202	WASHER		*		4.00
16	SM6051202TP	SCREW M5X0.8 L=12		*		1.00
17	18583906	L ROD		*		1.00
18	18584003	BRACKET		*		1.00
19	SM6053502TP	BOLT		*		2.00
20	GSA73000CA0	AUXILIARY PLACING BASE ASM.(D)				1.00
21	25375601	AUXILIARY PLACING BASE (L)		*		1.00
22	18583807	PLACING BASE METAL		*		2.00
23	SM1041001SC	SCREW M4X0.7 L=10		*		8.00
24	18588202	WASHER		*		8.00
25	SM6051202TP	SCREW M5X0.8 L=12		*		2.00
26	16804700	POCKET CLOTH BRACKET		*		1.00
27	SM6051602TP	SCREW M5X0.8 L=16		*		2.00
28	WS0510002KN	SPRING WASHER		*		2.00
29	16804908	POCKET BAG HOLDING L ROD		*		1.00
30	18583906	L ROD		*		1.00
31	18584003	BRACKET		*		1.00
32	SM6053502TP	BOLT		*		2.00
33	25375700	AUXILIARY PLACING BASE ASM.(R)		*		1.00

SA-83N:AUTOMATIC FLAP FEEDING UNIT (LEFT) (OPTION)

GSA83000AA0B(G=8~14)
 GSA83000BA0B(G=16~20)

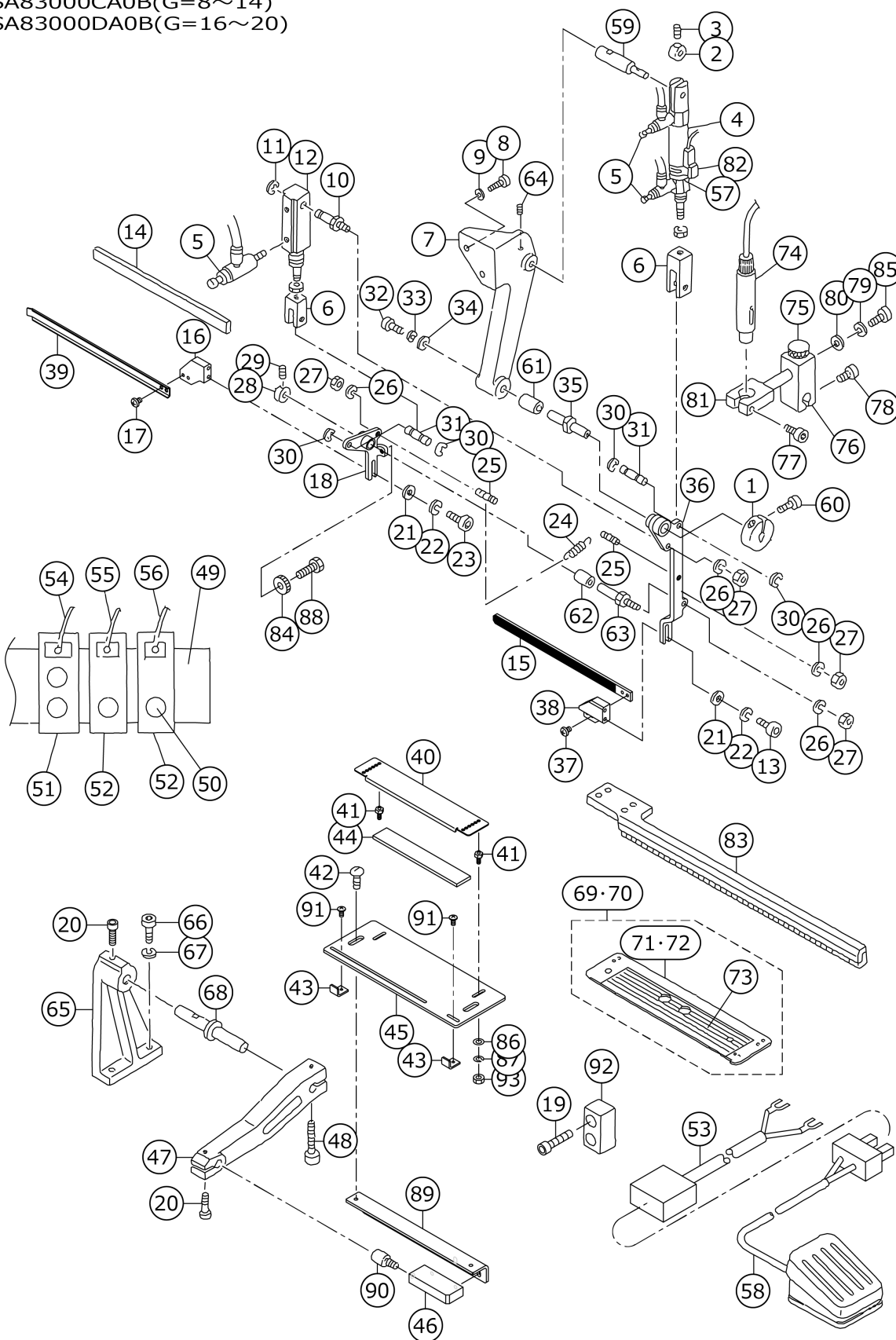


No.	品番	品名	備考	子部品	消耗品	個数
1	16658601	CYLINDER PIN A				1.00
2	16658700	COLLAR B				1.00
3	SM8040602TP	SCREW M4X0.7 L=6				1.00
4	PA1603501A0	AIR CYLINDER				1.00
5	PC010508000	SPEED CONTROLLER				4.00
6	16658809	KNUCKLE JOINT				1.00
7	16657207	PIVOT BRACKET, LEFT				1.00
8	SM6062502TP	SCREW M6 L=25				2.00
9	WS0610002KN	SPRING WASHER 6.1X12.2X1.5				2.00
10	16659005	CYLINDER PIN B				1.00
11	RC0560711KP	RETAINING RING				1.00
12	16728602	FLAP CLAMP CYLINDER				1.00
13	SM6041202TP	SCREW M4X0.7 L=12				2.00
14	16658007	CLAMP SPONGE				1.00
15	25401100	FLAP CLAMP (B)				1.00
16	25377904	CLAMP FITTING BASE BKT (B)				1.00
17	SS4090515SP	SCREW 9/64-40 L=5				2.00
18	25377706	CLAMP ARM (B)				1.00
19	SM0030601SC	SCREW M3X0.5 L=6				2.00
20	SM6041802TP	SCREW M4 L=18				2.00
21	WP0430800SC	WASHER M4				4.00
22	WS0410002KN	SPRING WASHER				4.00
23	SM6041002TP	SCREW M4 L=10				2.00
24	16659203	SPRING				1.00
25	16659104	ANCHOR				2.00
26	WS0610002KN	SPRING WASHER 6.1X12.2X1.5				4.00
27	NM6060001SC	NUT M6				4.00
28	16658502	COLLAR A				1.00
29	SM8040602TP	SCREW M4X0.7 L=6				1.00
30	RC0560711KP	RETAINING RING				4.00
31	16658908	PIN				2.00
32	SM6041202TP	SCREW M4X0.7 L=12				1.00
33	WS0410002KN	SPRING WASHER				1.00
34	16724700	WASHER				1.00
35	16658205	PIVOT PIN A				1.00
36	25377607	CLAMP ARM (B)				1.00
37	25374000	BRACKET ,LEFT				1.00
38	SS4090815SP	SCREW 9/64-40 L=8				2.00
39	25377805	CLAMP FITTING BKT (A)				1.00
40	25401001	FLAP CLAMP (A)				1.00
41	WP0430800SC	WASHER M4				2.00
42	WS0410002KN	SPRING WASHER				2.00
43	SS5110710SP	SCREW 11/64-40 L=7				2.00
44	NM6040001SC	NUT M4				2.00
45	25374505	FLAP STOPPER				2.00
46	25374109	FLAP SET PLATE				1.00
47	16656803	BRACKET				1.00
48	16659302	FLAP SET ARM, LEFT				1.00
49	SM6052002TP	SCREW M5 L=20				1.00
50	SM8061202TP	SCREW M6 L=12				2.00

51	SS6110810TP	SCREW 11/64-40 L=8				2.00
52	18586909	MANIHOLD BASE				1.00
53	PJ304040505	ELBOW				1.00
54	PV150206000	5-PORT CUT-OVER SOLENOID VALVE				1.00
55	PV130202200	3-WAY SOLENOID VALVE				2.00
56	25324955	CABLE ASM.				1.00
57	25359753	CABLE ASM.				1.00
58	25359654	CABLE ASM.				1.00
59	25359555	CABLE ASM.				1.00
60	PX5000480A0	SWITCH FITTING METAL				1.00
61	16724403	WASHER				1.00
62	16806903	BRACKET (3)				1.00
63	25323957	CABLE ASM.				1.00
64	16697302	FLAP PRESSER, LEFT				1.00
65	16657504	BUSHING A				1.00
66	16657603	FULCRUM SHAFT BUSH B				1.00
67	16658403	FULCRUM PIN B				1.00
68	16613903	SPLIT COLLAR				1.00
69	SS7111120SP	SCREW 11/64-40 L=10.5				1.00
70	SM8051002TP	SCREW M5 L=10				1.00
71	25375858	FLAP BASE ASM. ,LEFT	FOR 8,10,12,14MM			1.00
72	25375957	FLAP BASE ASM. ,LEFT	FOR 16,18,20MM			1.00
73	25375809	FLAP BASE ,LEFT	FOR 8,10,12,14MM	*		1.00
74	25375908	FLAP BASE ,LEFT	FOR 16,18,20MM	*		1.00
75	25299108	SCALE SEAL		*		1.00
76	G5338116000	CLAMP BOLT				1.00
77	16656100	LIGHT BRACKET (1)				1.00
78	SM6052502TP	SCREW M5X0.8 L=25				1.00
79	SM6051602TP	SCREW M5X0.8 L=16				1.00
80	WS0510002KN	SPRING WASHER				1.00
81	18589101	KNURLING KNOB				1.00
82	SM6051202TP	SCREW M5X0.8 L=12				2.00
83	25374406	MAGNET RUBBER				1.00
84	25035957	LIGHT ASM.				1.00
85	18565101	STOPPER BOLT				1.00
86	16697401	SPACER				1.00
87	25324054	CABLE ASM.				1.00
88	25374208	SCALE FITTING PIN				2.00
89	25374307	FLAP SCALE				1.00

SA-83N:AUTOMATIC FLAP FEEDING UNIT (RIGHT) (OPTION)

GSA83000CA0B(G=8~14)
 GSA83000DA0B(G=16~20)

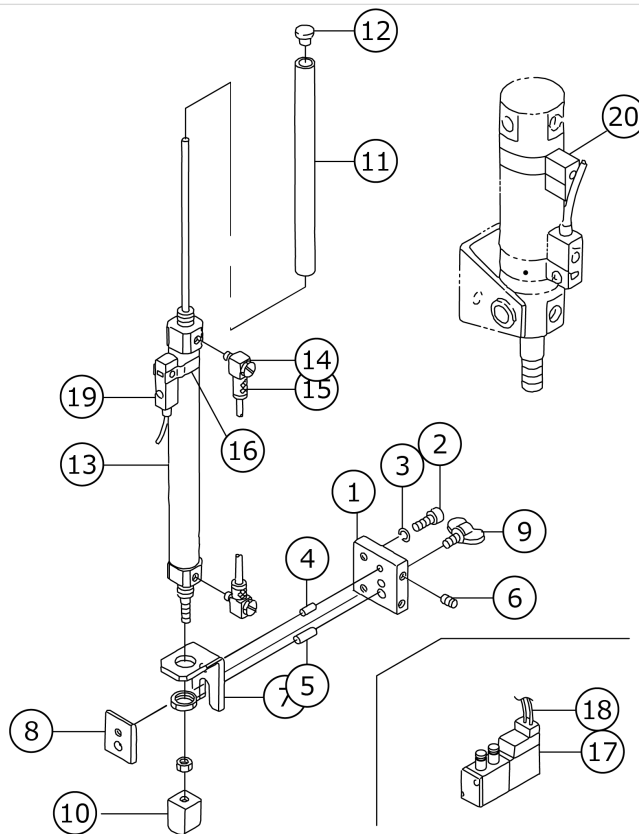


No.	品番	品名	備考	子部品	消耗品	個数
1	16613903	SPLIT COLLAR				1.00
2	16658700	COLLAR B				1.00
3	SM8040602TP	SCREW M4X0.7 L=6				1.00
4	PA1603501A0	AIR CYLINDER				1.00
5	PC010508000	SPEED CONTROLLER				4.00
6	16658809	KNUCKLE JOINT				2.00
7	16659708	FULCRUM BRACKET, RIGHT				1.00
8	SM6062502TP	SCREW M6 L=25				2.00
9	WS0610002KN	SPRING WASHER 6.1X12.2X1.5				2.00
10	16659005	CYLINDER PIN B				1.00
11	RC0560711KP	RETAINING RING				1.00
12	16728602	FLAP CLAMP CYLINDER				1.00
13	SM6041002TP	SCREW M4 L=10				2.00
14	16658007	CLAMP SPONGE				1.00
15	25401100	FLAP CLAMP (B)				1.00
16	25401506	CLAMP FITTING BRACKET (D)				1.00
17	SS4090515SP	SCREW 9/64-40 L=5				2.00
18	25401308	CLAMP ARM (D)				1.00
19	SM6042002TP	SCREW M4X0.7 L=20				2.00
20	SM6051602TP	SCREW M5X0.8 L=16				2.00
21	WP0430800SC	WASHER M4				4.00
22	WS0410002KN	SPRING WASHER				4.00
23	SM6041202TP	SCREW M4X0.7 L=12				2.00
24	16659203	SPRING				1.00
25	16659104	ANCHOR				2.00
26	WS0610002KN	SPRING WASHER 6.1X12.2X1.5				4.00
27	NM6060001SC	NUT M6				4.00
28	16658502	COLLAR A				1.00
29	SM8040602TP	SCREW M4X0.7 L=6				1.00
30	RC0560711KP	RETAINING RING				4.00
31	16658908	PIN				2.00
32	SM6041202TP	SCREW M4X0.7 L=12				1.00
33	WS0410002KN	SPRING WASHER				1.00
34	16724700	WASHER				1.00
35	16658205	PIVOT PIN A				1.00
36	25401209	CLAMP ARM (C)				1.00
37	SS4090815SP	SCREW 9/64-40 L=8				2.00
38	25401407	CLAMP FITTING BKT (C)				1.00
39	25401001	FLAP CLAMP (A)				1.00
40	25374307	FLAP SCALE				1.00
41	25374208	SCALE FITTING PIN				1.00
42	SS5110710SP	SCREW 11/64-40 L=7				2.00
43	25374505	FLAP STOPPER				2.00
44	25374406	MAGNET RUBBER				1.00
45	25374109	FLAP SET PLATE				1.00
46	25374703	FITTING BRACKET ,RIGHT				1.00
47	16660003	FLAP SET ARM, LEFT				1.00
48	SM6052502TP	SCREW M5X0.8 L=25				1.00
49	18586909	MANIHOLD BASE				1.00
50	PJ304040505	ELBOW				1.00

51	PV150206000	5-PORT CUT-OVER SOLENOID VALVE				1.00
52	PV130202200	3-WAY SOLENOID VALVE				2.00
53	25324955	CABLE ASM.				1.00
54	25359753	CABLE ASM.				1.00
55	25359654	CABLE ASM.				1.00
56	25359555	CABLE ASM.				1.00
57	PX5000480A0	SWITCH FITTING METAL				1.00
58	25323957	CABLE ASM.				1.00
59	16658601	CYLINDER PIN A				1.00
60	SS7111120SP	SCREW 11/64-40 L=10.5				1.00
61	16657504	BUSHING A				1.00
62	16657603	FULCRUM SHAFT BUSH B				1.00
63	16658403	FULCRUM PIN B				1.00
64	SM8051002TP	SCREW M5 L=10				1.00
65	16656506	BASE				1.00
66	SM6052002TP	SCREW M5 L=20				2.00
67	WS0510002KN	SPRING WASHER				2.00
68	16656605	PIVOT SHAFT				1.00
69	25376054	FLAP BASE ,RIGHT	FOR 8,10,12,14MM			1.00
70	25376153	FLAP BASE ,RIGHT	FOR 16,18,20MM			1.00
71	25376005	FLAP BASE ,RIGHT	FOR 8,10,12,14MM	*		1.00
72	25376104	FLAP BASE ,RIGHT	FOR 16,18,20MM	*		1.00
73	25299108	SCALE SEAL		*		1.00
74	25325754	CROSS MARKING LIGHT ASM.				1.00
75	G5338116000	CLAMP BOLT				1.00
76	16656100	LIGHT BRACKET (1)				1.00
77	SM6052502TP	SCREW M5X0.8 L=25				1.00
78	SM6051602TP	SCREW M5X0.8 L=16				1.00
79	WS0510002KN	SPRING WASHER				1.00
80	16724403	WASHER				1.00
81	16806903	BRACKET (3)				1.00
82	25324054	CABLE ASM.				1.00
83	16697203	FLAP PRESSER B, RIGHT				1.00
84	18589101	KNURLING KNOB				1.00
85	SM6051202TP	SCREW M5X0.8 L=12				1.00
86	WP0430800SC	WASHER M4				2.00
87	WS0410002KN	SPRING WASHER				2.00
88	18565101	STOPPER BOLT				1.00
89	25374802	FITTING BKT ,RIGHT				1.00
90	16660102	PIN				1.00
91	SM0030601SC	SCREW M3X0.5 L=6				2.00
92	16697401	SPACER				1.00
93	NM6040001SC	NUT M4				2.00

SA-84:DARTS EXTEND UNIT (OPTION)

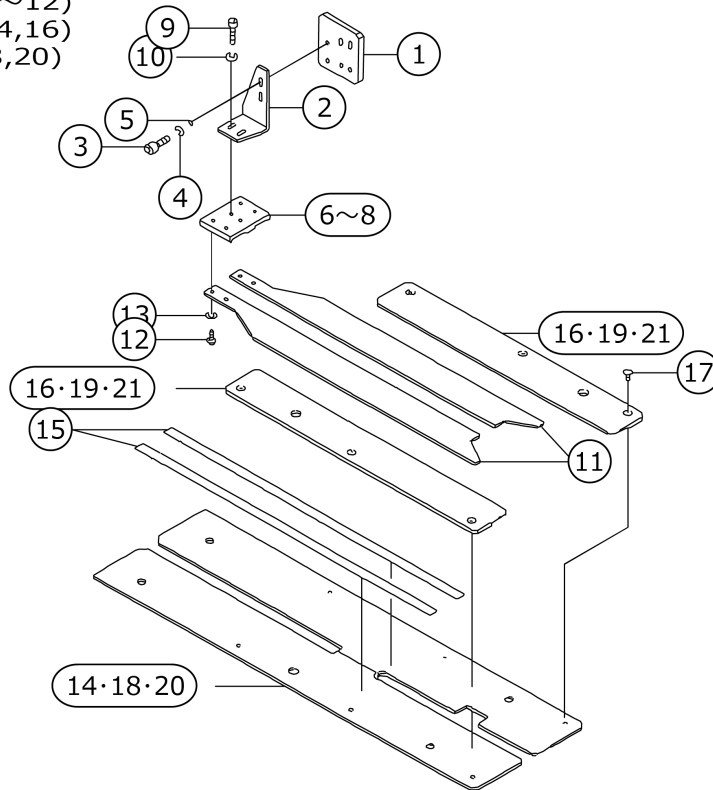
GSA840000A0A



No.	品番	品名	備考	子部品	消耗品	個数
1	25297706	CYLINDER BRACKET (A)				1.00
2	SM6061552TP	SCREW M6 L=15				2.00
3	WS0610002KN	SPRING WASHER 6.1X12.2X1.5				2.00
4	PH0400082C0	PIN				1.00
5	PH0600123C0	PIN				1.00
6	SM8031002TP	SCREW				2.00
7	25297805	CYLINDER BRACKET (B)				1.00
8	25297904	PRESSER PLATE				1.00
9	G2503110000	SCREW				1.00
10	25298001	CYLINDER EDGE				1.00
11	25298902	ROD PIPE				1.00
12	TA0800504R0	PLUG D=8 L=4.5				1.00
13	25321001	CYLINDER				1.00
14	PJ042050002	ELBOW				1.00
15	16935504	ELEMENT NIPPLE				2.00
16	PX5000480A0	SWITCH FITTING METAL				1.00
17	PV150206000	5-PORT CUT-OVER SOLENOID VALVE				1.00
18	25358458	CABLE ASM.				1.00
19	25322850	CABLE ASM.				1.00
20	25322959	SENSOR CABLE ASM.				1.00

SA-85N:PAVING PLATE UNIT (OPTION)

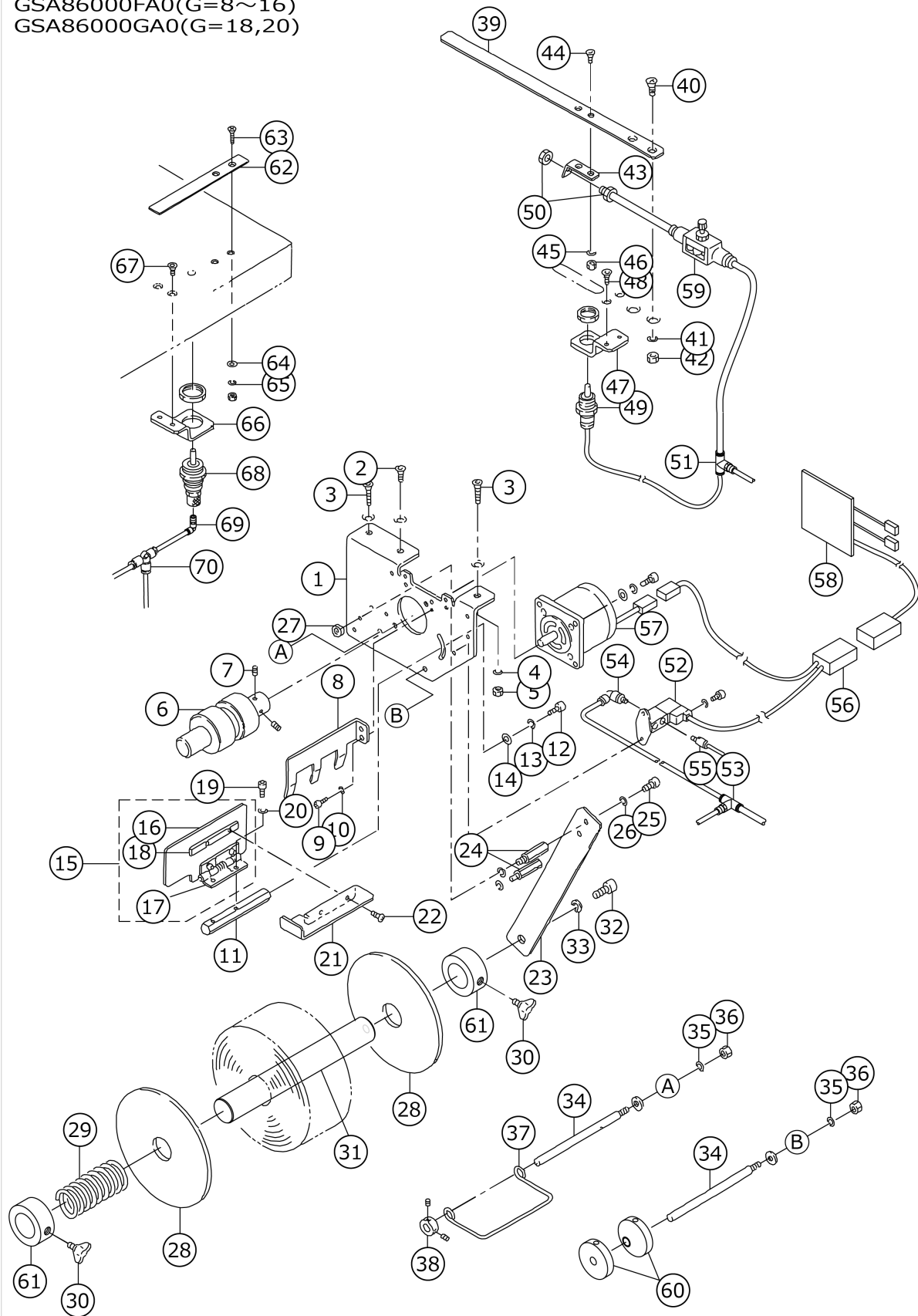
GSA85000GA0B(G=8~12)
GSA85000HA0B(G=14,16)
GSA85000IA0B(G=18,20)



No.	品番	品名	備考	子部品	消耗品	個数
1	25305905	PLATE BASE FITTING BRACKET (1)				1.00
2	25306002	PLATE BASE FITTING BRACKET (2)				1.00
3	SM6051002TP	SCREW M5X0.8 L=10				2.00
4	WS0510002KN	SPRING WASHER				2.00
5	WP0531001SC	WASHER				2.00
6	16703506	PAVING PLATE BASE A				1.00
7	16703605	PAVING PLATE BASE B				1.00
8	16703704	PLATE BASE				1.00
9	SM6051552TP	SCREW M5 L=15				2.00
10	WS0510002KN	SPRING WASHER				2.00
11	16917007	PAVING PLATE				2.00
12	SS5090610SP	SCREW 9/64-40 L=6				4.00
13	WS0441040KP	SPRING WASHER 4.4X7.4X1				4.00
14	25337213	SEWING TABLE (6)	FOR 8,10,12MM			1.00
15	18585109	TAPE				1.00
16	25335001	PLATE GUIDE (6)	FOR 8 ~ 16MM			2.00
17	SS5090210SP	SCREW 9/64-40 L=2				6.00
18	25337312	SEWING TABLE (6)	FOR 18,20MM			1.00
19	25335100	PLATE GUIDE (6)	FOR 18,20MM			2.00
20	25375007	SEWING TABLE	FOR 14,16MM			1.00
21	25377508	PAVING PLATE GUIDE	FOR 14,16MM			2.00

SA-86N:AUTOMATIC INTER LING FEEDING DEVICE (1) (OPTION)

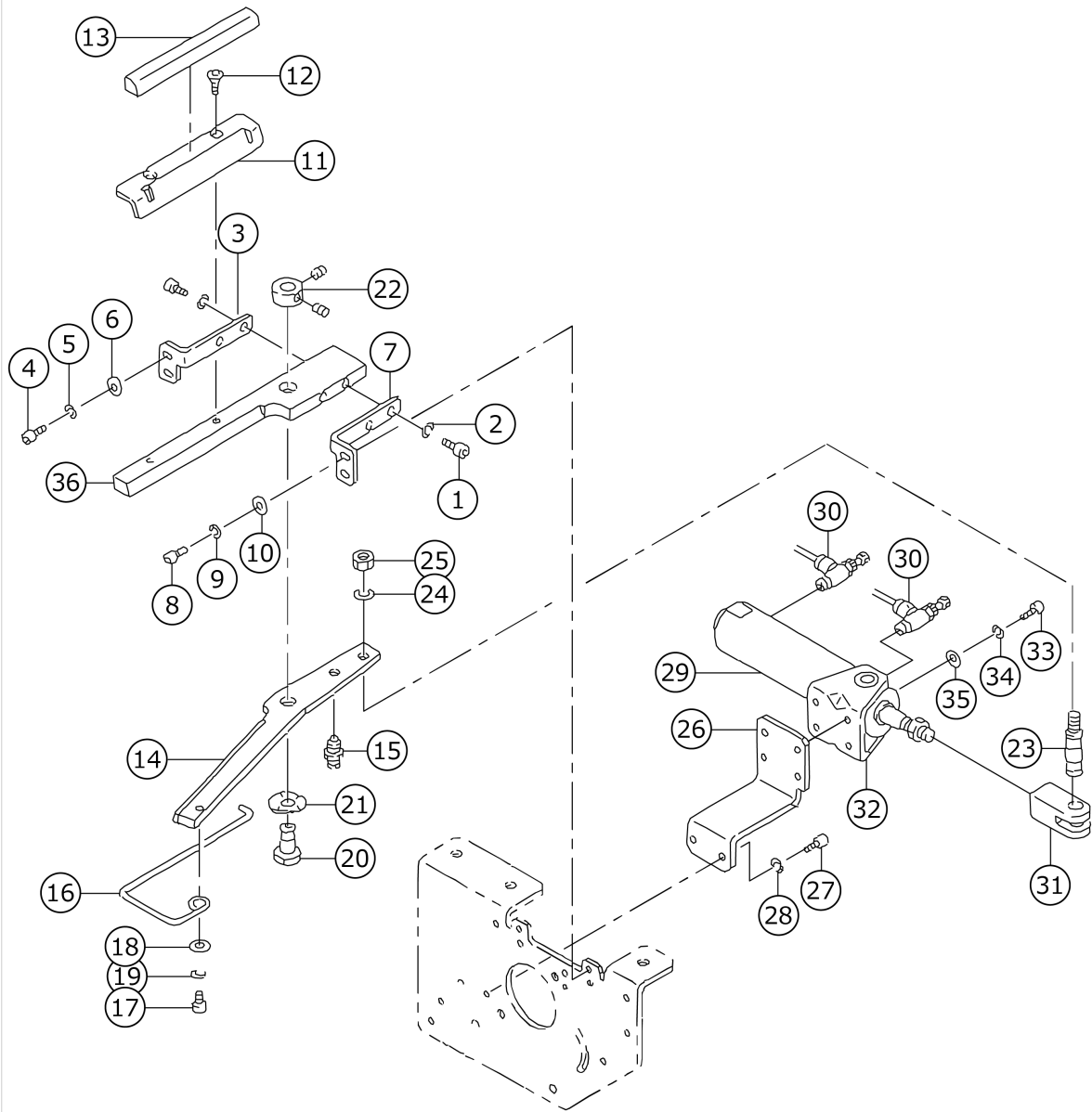
GSA86000FA0(G=8~16)
GSA86000GA0(G=18,20)



No.	品番	品名	備考	子部品	消耗品	個数
1	25307109	BASE				1.00
2	17799305	SCREW				1.00
3	16717209	SCREW				2.00
4	WS0510002KN	SPRING WASHER				2.00
5	NM6050001SC	NUT M5				2.00
6	25309006	ROLLER				1.00
7	SM8030802TP	SCREW M3X0.5 L=8				2.00
8	25309105	GUIDE C				1.00
9	SM6040602TP	SCREW M4 L=6				2.00
10	WS0410002KN	SPRING WASHER				2.00
11	25307208	STAD				1.00
12	SM6051002TP	SCREW M5X0.8 L=10				1.00
13	WS0510002KN	SPRING WASHER				1.00
14	WP0531001SC	WASHER				1.00
15	25307455	GUIDE ASM. (B)				1.00
16	25307406	GUIDE (B)		*		1.00
17	25307307	HING		*		1.00
18	25307505	FITTING PLATE		*		1.00
19	SM6030802TP	SCREW M3X0.5 L=8				2.00
20	WS0310002KN	SPRING WASHER M3				2.00
21	25307604	COVER				1.00
22	SM0030450SN	SCREW M3 L=4				2.00
23	25309808	FITTING PLATE				1.00
24	HX00339000A	SPACER L=25				2.00
25	SM6040802TP	SCREW M4X0.7 L=8				2.00
26	WS0410002KN	SPRING WASHER				4.00
27	NM6040001SC	NUT M4				2.00
28	16605404	SIDE PLATE				2.00
29	25309600	RETURN SPRING				1.00
30	GTR02014000	WING SCREW				2.00
31	25377003	ROLL SHAFT				1.00
32	SM6081552TP	SCREW M8 L=15				1.00
33	WS0820002KN	SPRING WASHER M8				1.00
34	25309402	SHAFT				2.00
35	WS0510002KN	SPRING WASHER				2.00
36	NM6050001SC	NUT M5				2.00
37	25309204	PADDING				1.00
38	CS0800816SH	THRUST HOLDER D=8 W=8				1.00
39	25308909	PADDING PRESSER				1.00
40	25150103	BOLT				2.00
41	WS0410002KN	SPRING WASHER				2.00
42	NM6040001SC	NUT M4				2.00
43	25308800	BRACKET				1.00
44	25149808	BOLT				2.00
45	WS0310002KN	SPRING WASHER M3				2.00
46	NM6030001SC	NUT M3				2.00
47	25308701	PIN CYLINDER BRACKET				1.00
48	25150509	SCREW				2.00
49	PA1000506A0	CYLINDER				1.00
50	PJ032039001	CONNECTOR				1.00

51	PJ305040001	TEE UNION				1.00
52	PV140501000	SOLENOID VALVE				1.00
53	PJ305060001	TEE UNION				1.00
54	PJ304060502	ELBOW UNION 6XM5				1.00
55	PJ304040504	ELBOW UNION				2.00
56	25359852	CABLE ASM.				1.00
57	25324856	MOTOR ASM.				1.00
58	G86031950B0	BASE A ASM.				1.00
59	PC012406000	SPEED CONTROLLER				1.00
60	25375106	GUIDE COLLAR				2.00
61	25377102	SET COLLAR				2.00
62	16676009	WORKPIECE CLAMP				1.00
63	SM1041001SC	SCREW M4X0.7 L=10				2.00
64	WP0430801SC	WASHER 4.3X9X0.8				2.00
65	WS0410002KN	SPRING WASHER				2.00
66	25328501	BAG CYLINDER BKT(2)				1.00
67	25150509	SCREW				2.00
68	PA1500502A0	PIN CYLINDER				1.00
69	PJ304040504	ELBOW UNION				1.00
70	PJ305040001	TEE UNION				1.00

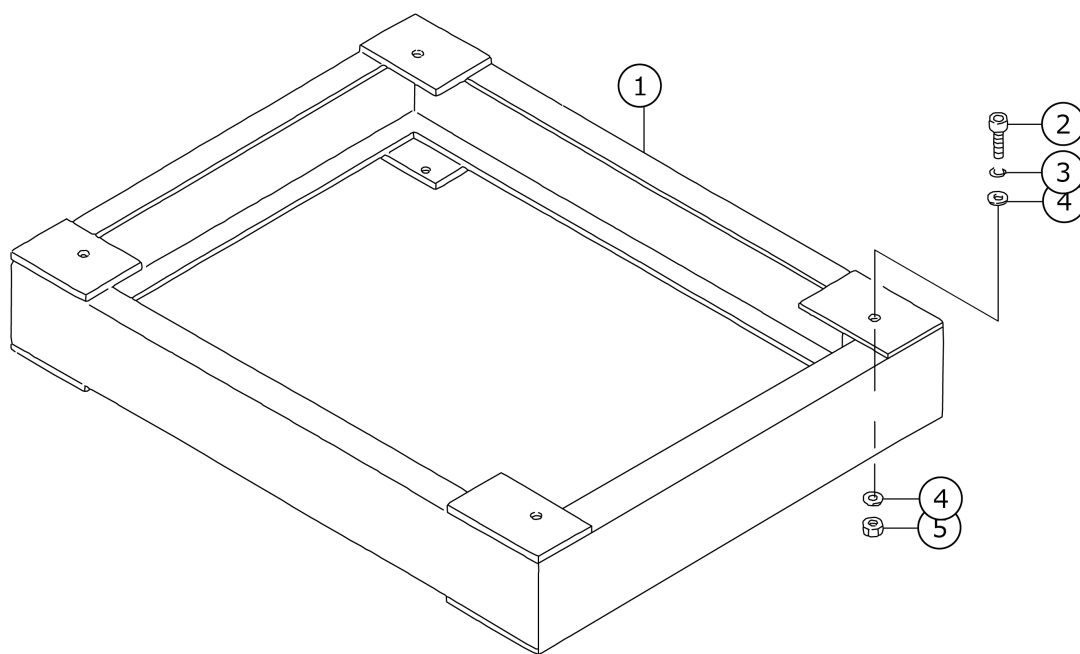
SA-86N:AUTOMATIC INTER LING FEEDING DEVICE (2) (OPTION)



No.	品番	品名	備考	子部品	消耗品	個数
1	SM6041002TP	SCREW M4 L=10				2.00
2	WS0410002KN	SPRING WASHER				2.00
3	25307901	FITTING STRIP BRACKET (L)				1.00
4	SM6040802TP	SCREW M4X0.7 L=8				2.00
5	WS0410002KN	SPRING WASHER				2.00
6	WP0430801SC	WASHER 4.3X9X0.8				2.00
7	25308008	FITTING STRIP BRACKET (R)				1.00
8	SM6040802TP	SCREW M4X0.7 L=8				2.00
9	WS0410002KN	SPRING WASHER				2.00
10	WP0430801SC	WASHER 4.3X9X0.8				2.00
11	25307703	GUIDE A				1.00
12	25149808	BOLT				2.00
13	25316902	GUIDE D				1.00
14	25308404	STRIP				1.00
15	25321209	BOLL PLUNGER				1.00
16	25307802	RETURN GUIDE				1.00
17	SM6040802TP	SCREW M4X0.7 L=8				1.00
18	WP0430801SC	WASHER 4.3X9X0.8				1.00
19	WS0410002KN	SPRING WASHER				1.00
20	25308206	PIVOT PIN				1.00
21	WZ0850302K0	WAVED WASHER 8.5X12.5X0.3				1.00
22	CS0800816SH	THRUST HOLDER D=8 W=8				1.00
23	25308107	PIN				1.00
24	WS0610002KN	SPRING WASHER 6.1X12.2X1.5				1.00
25	NM6060001SC	NUT M6				1.00
26	25309907	CYLINDER BRACKET				1.00
27	SM6040802TP	SCREW M4X0.7 L=8				2.00
28	WS0410002KN	SPRING WASHER				2.00
29	PA2001504A0	AIR CYLINDER				1.00
30	PC015116000	SPEED CONTROLLER				2.00
31	PA900062000	JOINT				1.00
32	PA900041000	CYLINDER BRACKET				1.00
33	SM6041002TP	SCREW M4 L=10				4.00
34	WS0410002KN	SPRING WASHER				4.00
35	WP0430801SC	WASHER 4.3X9X0.8				4.00
36	25308305	STRIP				1.00

SA-88:STAND FOR STANDING WORK (OPTION)

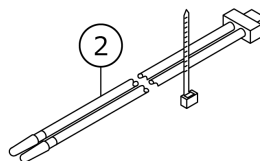
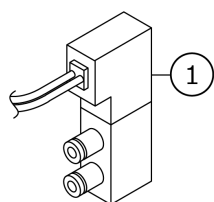
GSA880000AA0



No.	品番	品名	備考	子部品	消耗品	個数
1	25335209	WORKING STAND				1.00
2	SM6102002TP	SCREW M10 L=20				4.00
3	WS1020002KN	SPRING WASHER M10				4.00
4	WP1052001SC	WASHER 10,5X21X2				8.00
5	NM6100001SC	NUT M10X1.5				4.00

SA-89:SMALL WELTING UNIT (OPTION)

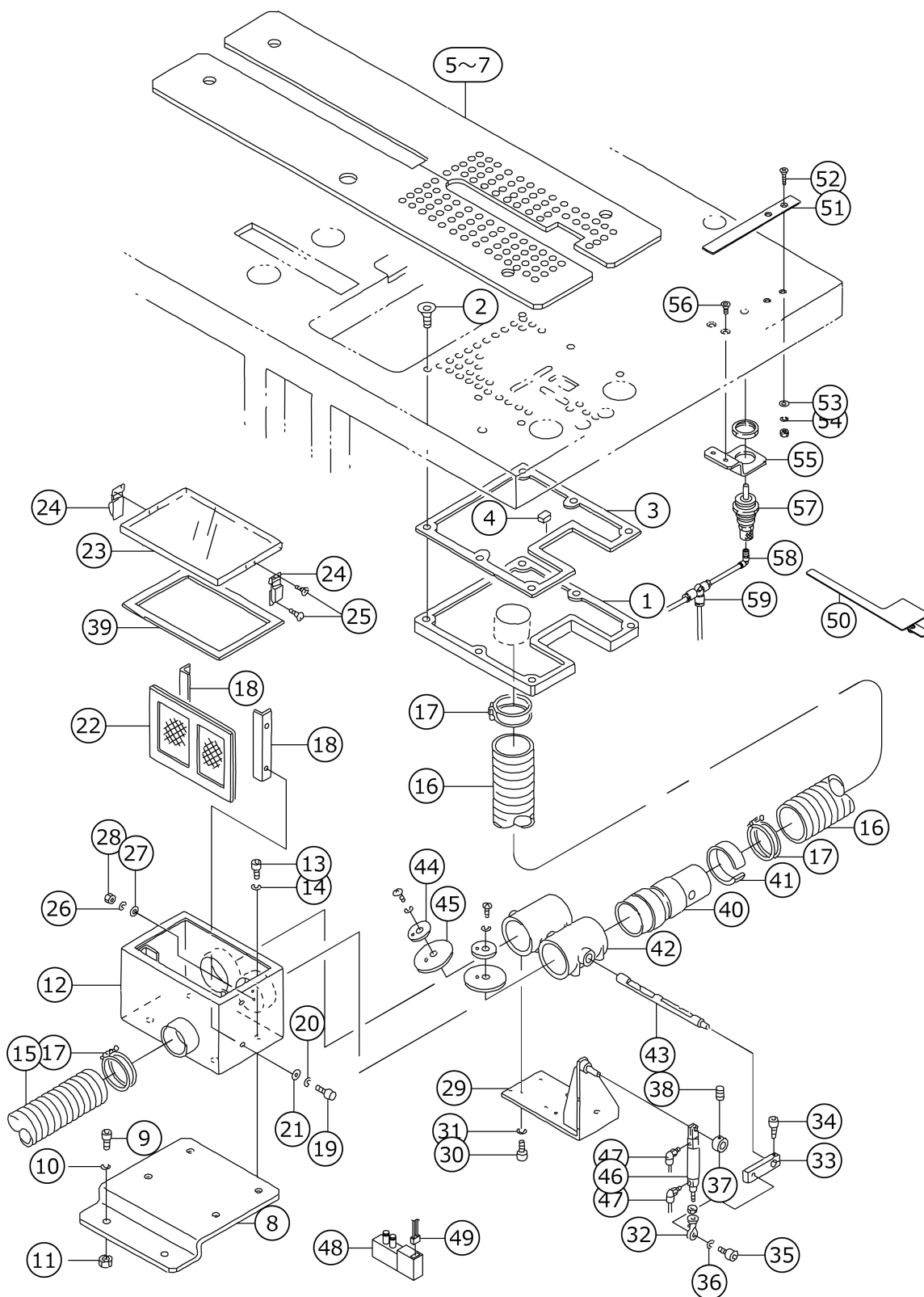
GSA890000A0A



No.	品番	品名	備考	子部品	消耗品	個数
1	PV150206000	5-PORT CUT-OVER SOLENOID VALVE				1.00
2	25358557	CABLE				1.00

SA-90N:SUCTION UNIT (OPTION)

GSA9000JA0(G=8~12)
GSA9000KA0(G=14,16)
GSA9000LA0(G=18,20)

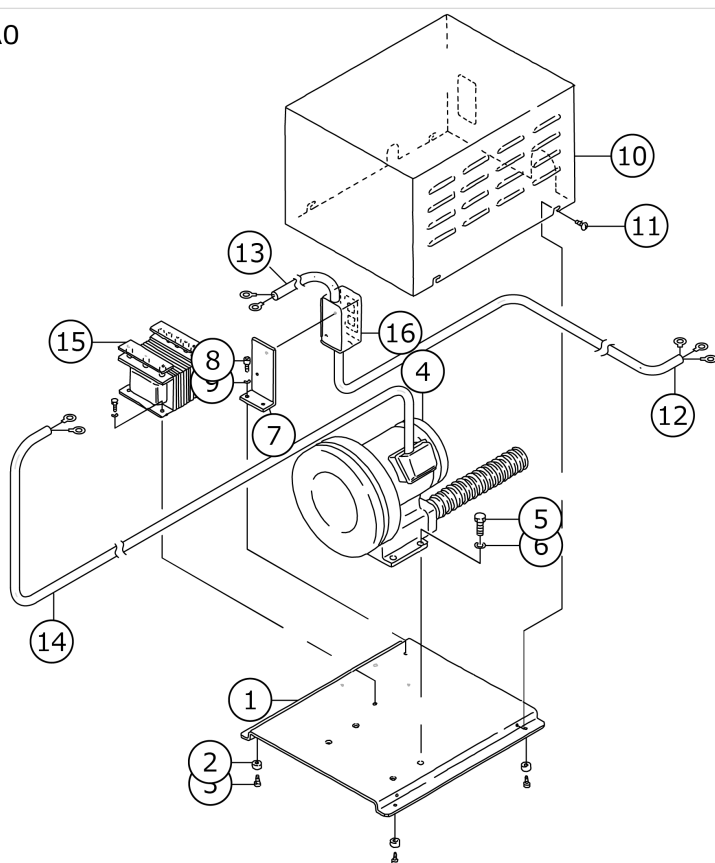


No.	品番	品名	備考	子部品	消耗品	個数
1	25329707	SUCTION BOX				1.00
2	17799305	SCREW				6.00
3	25329806	PACKING (A)				1.00
4	25329905	PACKING (B)				1.00
5	25337411	SEWING TABLE (6) FOR VACUUM	SELECTIVE PARTS			1.00
6	25337510	TABLE (6) FOR VACUUM	SELECTIVE PARTS			1.00
7	25337619	SEWING TABLE (6) FOR VACUUM	SELECTIVE PARTS			1.00
8	25330408	DUCT FITTING BASE				1.00
9	SM6061552TP	SCREW M6 L=15				2.00
10	WS0610002KN	SPRING WASHER 6.1X12.2X1.5				2.00
11	NM6060001SC	NUT M6				2.00
12	18580605	WIRE NETTING BOX				1.00
13	SM6061202TP	SCREW M6 L=12				4.00
14	WS0610002KN	SPRING WASHER 6.1X12.2X1.5				4.00
15	25320003	DUCT HOSE				1.00
16	18588608	DUCT HOSE				1.00
17	18588806	HOSE BAND				4.00
18	18580902	WIRE NETTING SUPPORT				2.00
19	SM6040802TP	SCREW M4X0.7 L=8				4.00
20	WS0410002KN	SPRING WASHER				4.00
21	WP0430800SC	WASHER M4				4.00
22	18580803	WIRE NETTING				1.00
23	18580704	COVER				1.00
24	18588905	PUNCH HINGE				2.00
25	SM1030801SC	SCREW M3 L=8				8.00
26	WS0310002KN	SPRING WASHER M3				8.00
27	WP0320500SC	WASHER M3				8.00
28	NM6030001SC	NUT M3				8.00
29	18581009	CYLINDER BRACKET				1.00
30	SM6051202TP	SCREW M5X0.8 L=12				8.00
31	WS0510002KN	SPRING WASHER				8.00
32	16960205	ROD END				1.00
33	18581108	LEVER				1.00
34	SM6061602TP	SCREW M6 L=16				1.00
35	SM6051602TP	SCREW M5X0.8 L=16				1.00
36	WS0510002KN	SPRING WASHER				1.00
37	18581306	COLLAR				1.00
38	SM8030502TP	SCREW M3 L=5				2.00
39	18563908	SHEET				1.00
40	25330002	JOINT				1.00
41	18581900	ADJUSTABLE RING				1.00
42	G5001236000	DAMPER				2.00
43	G5002236000	DAMPER SHAFT				1.00
44	G5003236000	SUPPORT PLATE				2.00
45	G5004236000	DAMPER VALVE				2.00
46	PA1604002A0	AIR CYLINDER				1.00
47	PJ304040504	ELBOW UNION				2.00

48	PV150206000	5-PORT CUT-OVER SOLENOID VALVE				1.00
49	25358458	CABLE ASM.				1.00
50	16914103	HAIR CLOTH PRESSER	SELECTIVE PARTS			1.00
51	16676009	WORKPIECE CLAMP	SELECTIVE PARTS			1.00
52	SM1041001SC	SCREW M4X0.7 L=10	SELECTIVE PARTS			2.00
53	WP0430801SC	WASHER 4.3X9X0.8	SELECTIVE PARTS			2.00
54	WS0410002KN	SPRING WASHER	SELECTIVE PARTS			2.00
55	25328501	BAG CYLINDER BKT(2)	SELECTIVE PARTS			1.00
56	25150509	SCREW	SELECTIVE PARTS			2.00
57	PA1500502A0	PIN CYLINDER	SELECTIVE PARTS			1.00
58	PJ304040504	ELBOW UNION	SELECTIVE PARTS			1.00
59	PJ305040001	TEE UNION	SELECTIVE PARTS			1.00

SA-91:SUCTION MOTOR UNIT (OPTION)

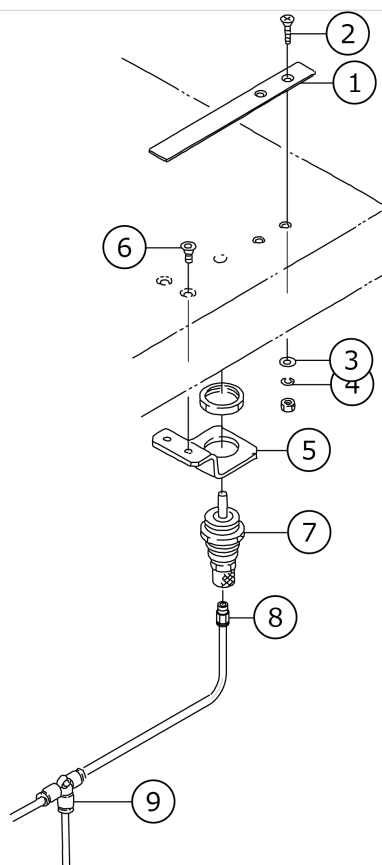
GSA910000A0



No.	品番	品名	備考	子部品	消耗品	個数
1	25330507	BASE				1.00
2	18588509	RUBBER				4.00
3	SM6040602TP	SCREW M4 L=6				4.00
4	18588400	BLOWER				1.00
5	SM9122503SB	SCREW M12 L=25				4.00
6	WS1220002KN	SPRING WASHER				4.00
7	18564005	POWER PUPPLY BRACKET				1.00
8	SM6061602TP	SCREW M6 L=16				2.00
9	WS0610002KN	SPRING WASHER 6.1X12.2X1.5				2.00
10	25330606	COVER				1.00
11	SM0040801SC	SCREW				4.00
12	25040957	POWER SOURCE CABLE ASM.				1.00
13	25041054	CABLE ASM.				1.00
14	25041153	CABLE ASM.				1.00
15	25041401	TRANSFORMER				1.00
16	25041500	PUSH BUTTON SWITCH				1.00

SA-92:POCKET BAG CLAMP UNIT (OPTION)

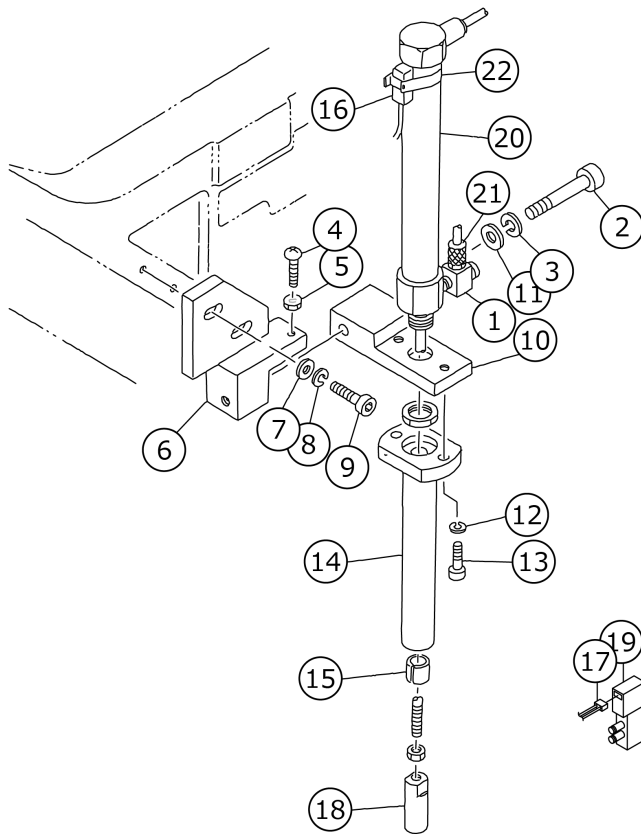
GSA920000A0



No.	品番	品名	備考	子部品	消耗品	個数
1	16676009	WORKPIECE CLAMP				1.00
2	SM1041001SC	SCREW M4X0.7 L=10				2.00
3	WP0430801SC	WASHER 4.3X9X0.8				2.00
4	WS0410002KN	SPRING WASHER				2.00
5	25328501	BAG CYLINDER BKT(2)				1.00
6	25150509	SCREW				2.00
7	PA1500502A0	PIN CYLINDER				1.00
8	16935504	ELEMENT NIPPLE				1.00
9	PJ305040001	TEE UNION				1.00

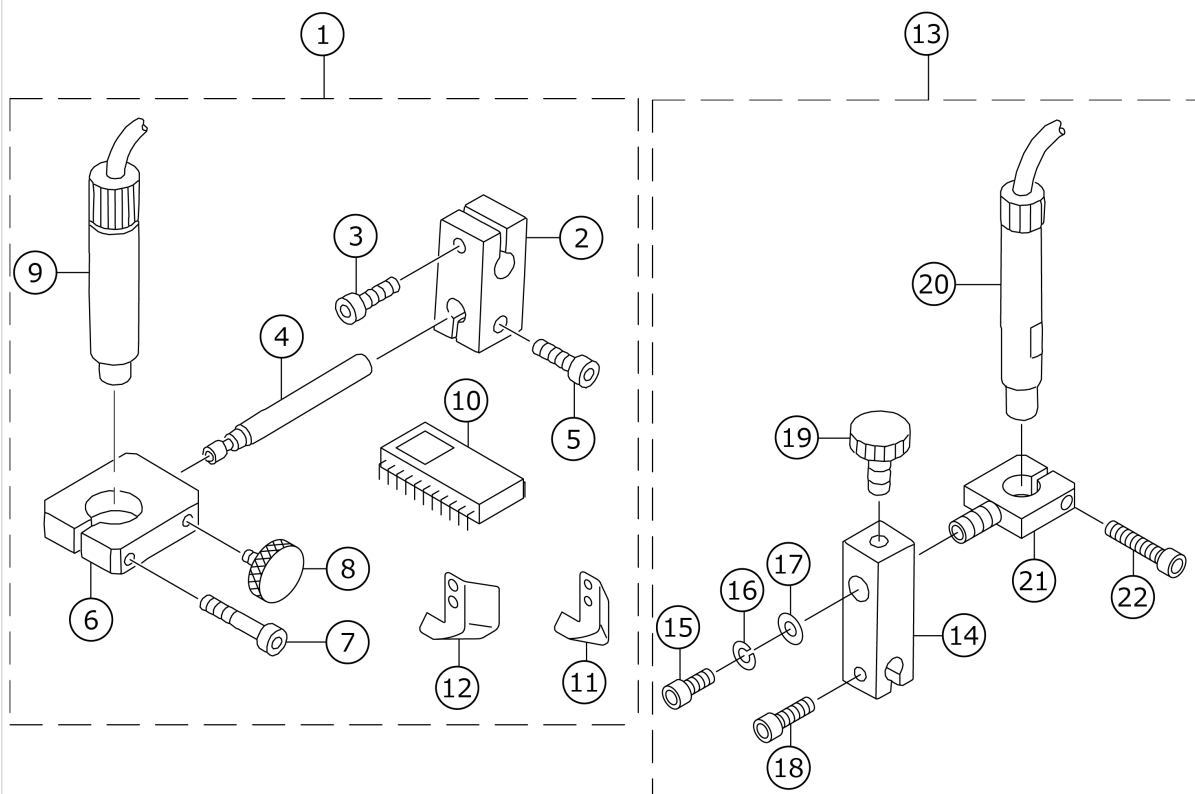
SA-93:DARTS EXTEND UNIT (OPTION)

GSA930000A0A



No.	品番	品名	備考	子部品	消耗品	個数
1	PJ042050002	ELBOW				2.00
2	SM6063502TP	SCREW M6 L=35				1.00
3	WS0610002KN	SPRING WASHER 6.1X12.2X1.5				1.00
4	SM3041551SP	SCREW M4X0.7 L=15				1.00
5	NM6040001SC	NUT M4				1.00
6	16700403	CYLINDER BASE				1.00
7	WP0531000SC	WASHER 5.3X10X1				2.00
8	WS0510002KN	SPRING WASHER				2.00
9	SM6051552TP	SCREW M5 L=15				2.00
10	16700502	CYLINDER BKT				1.00
11	WP0531000SC	WASHER 5.3X10X1				1.00
12	WS0410002KN	SPRING WASHER				2.00
13	SM6041202TP	SCREW M4X0.7 L=12				2.00
14	16700601	CYLINDER SHAFT HOLDER				1.00
15	16700809	METAL				1.00
16	25322850	CABLE ASM.				1.00
17	25358458	CABLE ASM.				1.00
18	16700700	CILNDER EDGE				1.00
19	PV150206000	5-PORT CUT-OVER SOLENOID VALVE				1.00
20	PA1613501A0	AIR CYLINDER				1.00
21	16935504	ELEMENT NIPPLE				2.00
22	PX5000480A0	SWITCH FITTING METAL				1.00

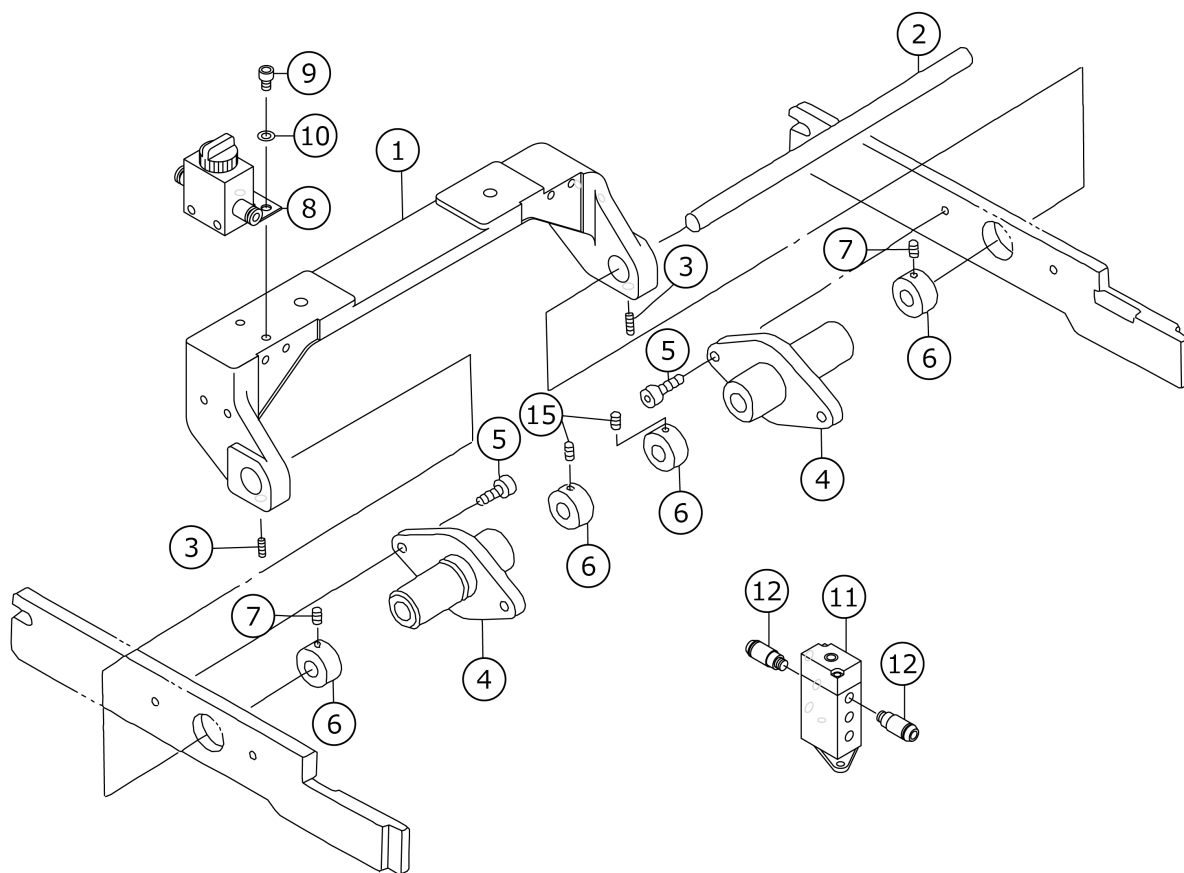
SA-94: CENTER STANDARD UNIT (OPTION)



No.	品番	品名	備考	子部品	消耗品	個数
1	GSA94000CA0	CENTER STANDARD UNIT	FOR STANDARD BINDER			1.00
2	16912701	LIGHT BRACKET (1)		*		1.00
3	SM6051552TP	SCREW M5 L=15		*		1.00
4	16912800	REGULATION SHAFT		*		1.00
5	SM6051552TP	SCREW M5 L=15		*		1.00
6	16912909	LIGHT BRACKET (2)		*		1.00
7	SM6052502TP	SCREW M5X0.8 L=25		*		1.00
8	G5338116000	CLAMP BOLT		*		1.00
9	25325655	CROSS MARKING LIGHT ASM.		*		1.00
10	HL015930036	IC		*		1.00
11	16672503	WORKPIECE GUIDE, LEFT		*		1.00
12	16672602	WORKPIECE GUIDE, RIGHT		*		1.00
13	GSA94000DA0	CENTER STANDARD UNIT	FOR WELT PATCH SUPPLY TYPE			1.00
14	16656100	LIGHT BRACKET (1)		*		1.00
15	SM6051202TP	SCREW M5X0.8 L=12		*		1.00
16	WS0510002KN	SPRING WASHER		*		1.00
17	16724403	WASHER		*		1.00
18	SM6051602TP	SCREW M5X0.8 L=16		*		1.00
19	G5338116000	CLAMP BOLT		*		1.00
20	25325754	CROSS MARKING LIGHT ASM.		*		1.00
21	16806903	BRACKET (3)		*		1.00
22	SM6052502TP	SCREW M5X0.8 L=25		*		1.00

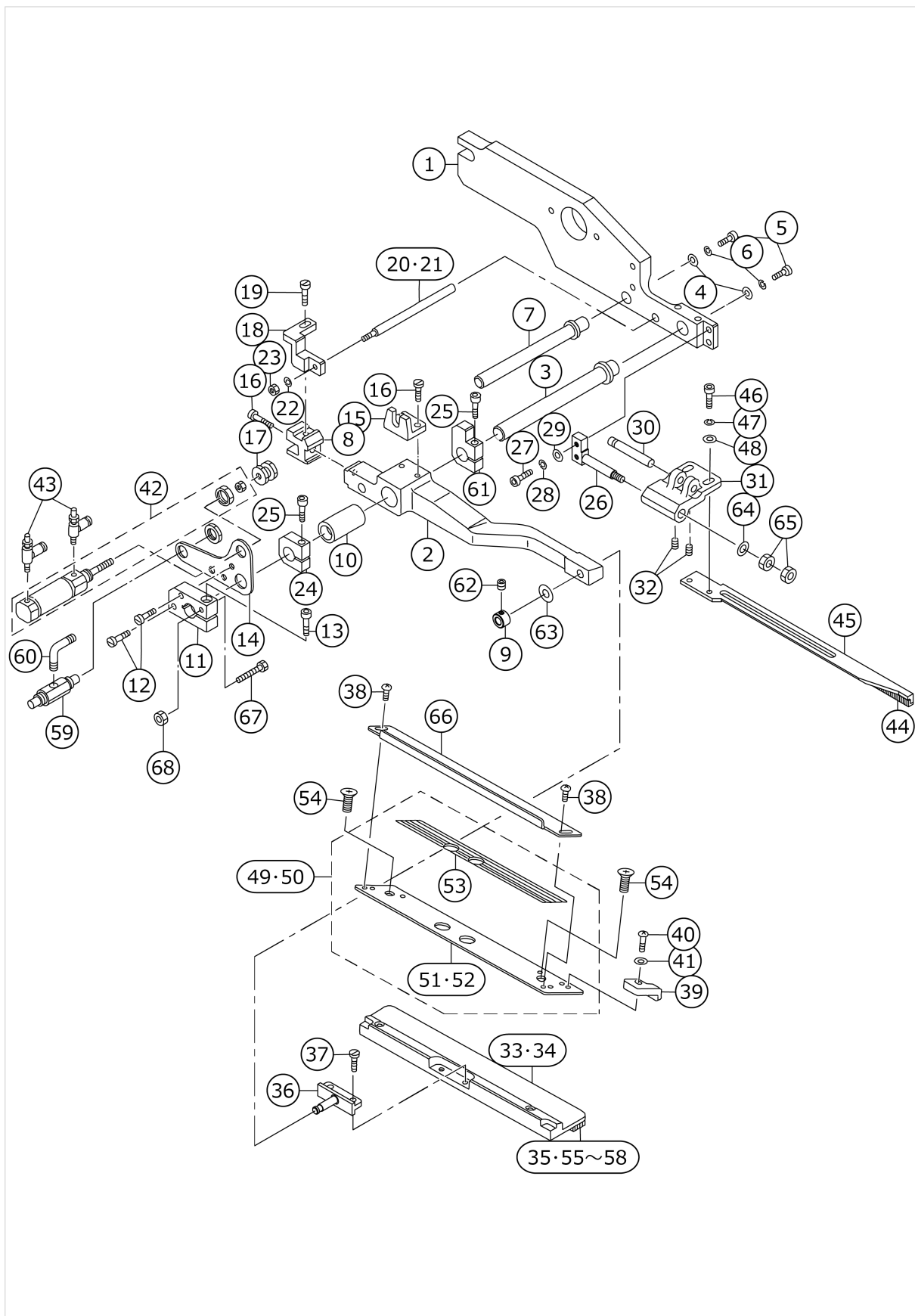
SA-97N:SINGLE & DOUBLE CHANGE UNIT (1) (FOR LEFT) (OPTION)

GSA97000GA0A(G=8~14)
GSA97000HA0A(G=16~20)



No.	品番	品名	備考	子部品	消耗品	個数
1	25299405	FULCRUM BASE				1.00
2	16907701	SHAFT				1.00
3	SM8050602TP	SCREW M5 L=6				2.00
4	18550806	FULCRUM BOSS				2.00
5	SM6051802TP	SCREW M5 L=18				4.00
6	16908105	COLLAR				4.00
7	SM8050602TP	SCREW M5 L=6				4.00
8	PV010012000	VALVE				1.00
9	SM6040602TP	SCREW M4 L=6				2.00
10	WS0410002KN	SPRING WASHER				2.00
11	PV1505310A0	AIR OPERATE VALVE				1.00
12	PJ210004200	HALF UNION				2.00

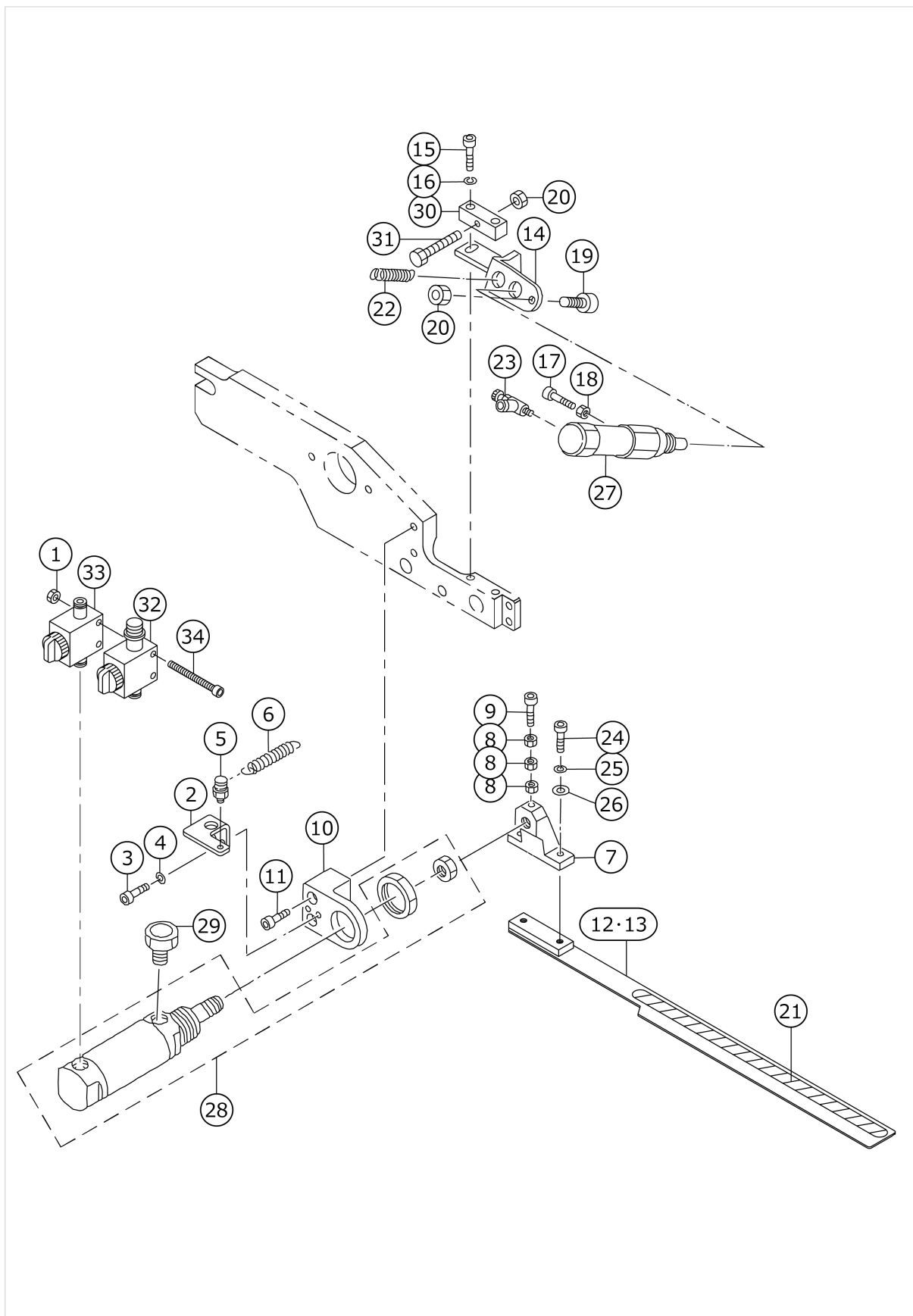
SA-97N:SINGLE & DOUBLE CHANGE UNIT (2) (FOR LEFT) (OPTION)



No.	品番	品名	備考	子部品	消耗品	個数
1	25336801	CLAMP FOOT ARM ,LEFT				1.00
2	18300707	SUPPORT ARM, LEFT				1.00
3	18300806	SLIDER SHAFT, A				1.00
4	G5108119000	WASHER				2.00
5	SM6051202TP	SCREW M5X0.8 L=12				2.00
6	WS0510002KN	SPRING WASHER				2.00
7	18300905	SLIDER SHAFT, B				1.00
8	18301002	GUIDE BLOCK				1.00
9	25377300	SET COLLAR				1.00
10	18301101	BUSH				1.00
11	18582809	BLOCK				1.00
12	SS6111610SP	SCREW 11/64-40 L=16				2.00
13	SM6051802TP	SCREW M5 L=18				1.00
14	18566604	PLATE				1.00
15	18301408	CYLINDER BRACKET				1.00
16	SS7111120SP	SCREW 11/64-40 L=10.5				3.00
17	18301507	CYLINDER NUT				1.00
18	18564302	STOPPER INSTALLING BASE				1.00
19	SS9111010SP	SCREW 11/64-40 L=9.5				1.00
20	18301705	STOPPER SHAFT G=8-14	FOR 8,10,12,14MM			1.00
21	18301804	STOPPER SHAFT G=16-20	FOR 16,18,20MM			1.00
22	WS0410002KN	SPRING WASHER				1.00
23	NM6040001SC	NUT M4				1.00
24	18301903	STOPPER				2.00
25	SM6052502TP	SCREW M5X0.8 L=25				2.00
26	G5151116C00	FLAP PRESSER FULCRUM SHAFT				1.00
27	SM6041202TP	SCREW M4X0.7 L=12				2.00
28	WS0410002KN	SPRING WASHER				2.00
29	WP0430800SC	WASHER M4				2.00
30	G5148116000	FLAP PRESSER PIVOT PIN				1.00
31	G5150116C00	FLAP PRESSER ARM, LEFT				1.00
32	SM8030502TP	SCREW M3 L=5				2.00
33	16809204	GARMENT CLAMP, LEFT G=8-14	FOR 8,10,12,14MM			1.00
34	16809402	GARMENT CLAMP, LEFT G=16-20	FOR 16,18,20MM			1.00
35	16778409	GARMENT CLAMP RUBBER, LEFT				1.00
36	16807117	GARMENT CLAMP FULCULUM PIN				1.00
37	SS7110840SP	SCREW 11/64-40 L=7.8				2.00
38	SM5040655SN	SCREW				2.00
39	G5123117000	FLAP STOPPER A				1.00
40	SM4030401SC	SCREW M3X0.5 L=4				1.00
41	WP0320500SC	WASHER M3				1.00
42	PA250600100	AIR CYLINDER				1.00
43	PC015107000	SPEED CONTROLLER				2.00
44	G5143116A00	FLAP PRESSER RUBBER SOLE				1.00
45	G5154116C00	SPRING ANCHOR PLATE				1.00
46	SM6041002TP	SCREW M4 L=10				2.00
47	WS0410002KN	SPRING WASHER				2.00
48	WP0430800SC	WASHER M4				2.00

49	25298753	FLAP BASE ASM., LEFT	FOR 8,10,12,14MM			1.00
50	25332156	FLAP BASE ASM., LEFT	FOR 16,18,20MM			1.00
51	25298704	FLAP BASE PLATE,LEFT	FOR 8,10,12,14MM	*		1.00
52	25332107	FLAP BASE PLATE,LEFT	FOR 16,18,20MM	*		1.00
53	25299108	SCALE SEAL		*		1.00
54	SM1040601SC	SCREW M4X0.7 L=6				2.00
55	16704801	RUBBER CLAMP	FOR STANDARD			1.00
56	16704900	RUBBER CLAMP	FOR HEAVY-WEIG HT MATERIALS			1.00
57	G5152119H00	RUBBER SOLE, RIGHT H	FOR HEAVY-WEIG HT MATERIALS			1.00
58	G5152119F00	RUBBER SOLE, RIGHT F	FOR STANDARD			1.00
59	PV010508000	MECHANICAL VALVE				1.00
60	PJ304040504	ELBOW UNION				2.00
61	18583005	STOPPER				1.00
62	SM8040402TP	SCREW M4X0.7 L=4				1.00
63	WP0450801SD	WASHER 4.5X10X0.8				1.00
64	WP0430800SC	WASHER M4				1.00
65	NM6040001SC	NUT M4				2.00
66	G5140116000	FLAP SCALE				1.00
67	18582205	STOPPER BOLT		*		2.00
68	NM6040001SC	NUT M4				1.00

SA-97N:SINGLE & DOUBLE CHANGE UNIT (3) (FOR LEFT) (OPTION)



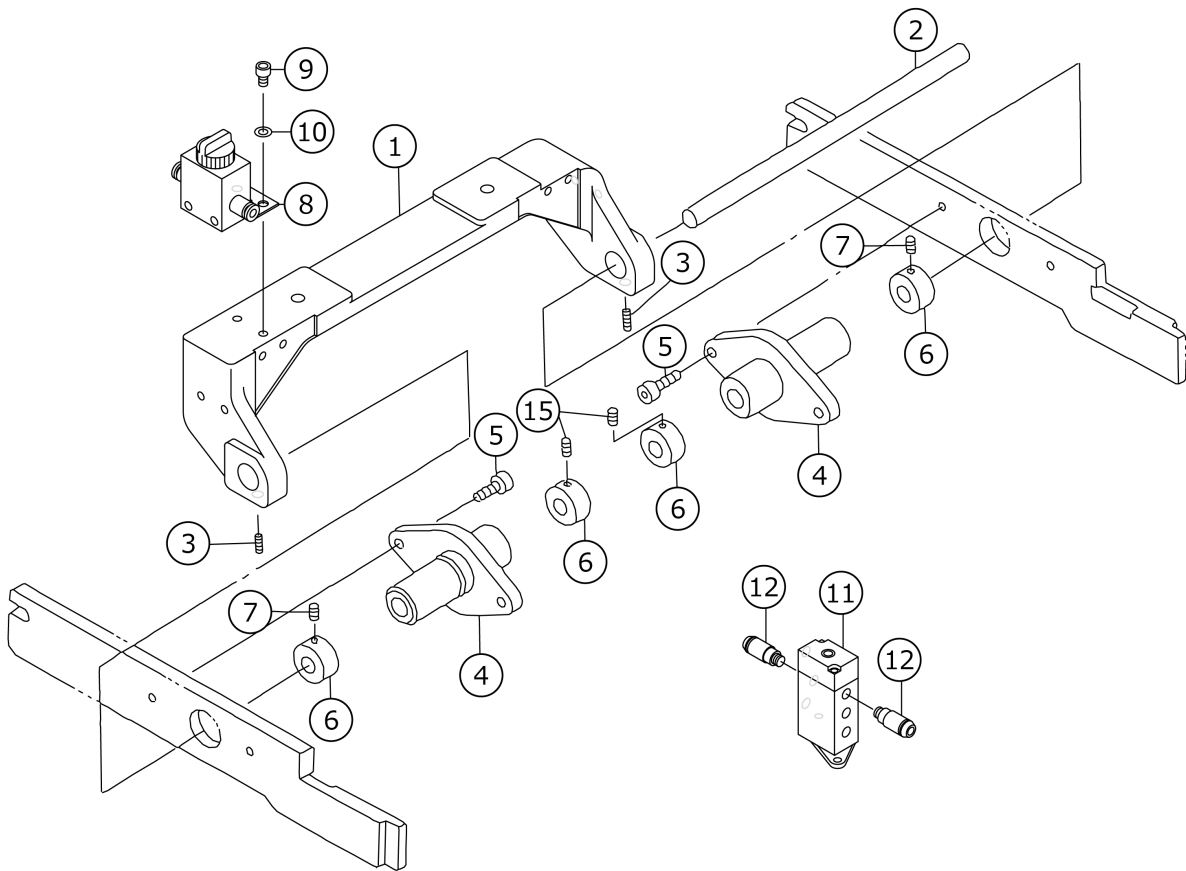
No.	品番	品名	備考	子部品	消耗品	個数
1	NM6040001SC	NUT M4				2.00
2	18302000	BRACKET				1.00
3	SM6041002TP	SCREW M4 L=10				2.00
4	WS0410002KN	SPRING WASHER				2.00
5	18302109	PIN				1.00
6	18302208	SPRING				1.00
7	G5132116B00	FOLDING BRACKET				1.00
8	NM6030001SC	NUT M3				3.00
9	SM6032002TP	SCREW M3X0.5 L=20				1.00
10	18302307	BRACKET, LEFT				1.00
11	SM6052502TP	SCREW M5X0.8 L=25				2.00
12	25298316	FOLDING PLATE,LEFT	FOR 8,10,12,14MM			1.00
13	25298514	FOLDING PLATE,LEFT	FOR 16,18,20MM			1.00
14	18302406	BRACKET, LEFT				1.00
15	SM6051202TP	SCREW M5X0.8 L=12				2.00
16	WS0510002KN	SPRING WASHER				2.00
17	SM6031002TP	HEXAGONAL BOLT M3 X 10				1.00
18	NM6030001SC	NUT M3				1.00
19	SM6042502TP	SCREW M4X0.7 L=25				1.00
20	NM6040001SC	NUT M4				1.00
21	18559005	SHEET				1.00
22	16701005	SPRING				1.00
23	PC010507000	SPEED CONTROLLER				1.00
24	SM6041002TP	SCREW M4 L=10				2.00
25	WS0410002KN	SPRING WASHER				2.00
26	WP0430800SC	WASHER M4				2.00
27	G5410116AA0	CYLINDER				1.00
28	G5402116AA0	WELT PATCH FOLDING CYL. ASM.				1.00
29	PX055101000	ELEMENT				1.00
30	18582908	ADJUSTING BLOCK				1.00
31	18582205	STOPPER BOLT				2.00
32	PV015118000	VALVE				1.00
33	PV010011000	VALVE				1.00
34	SM6044002TP	SCREW				2.00

No.	品番	品名	備考	子部品	消耗品	個数
1	25298209	PRESSER ARM,RIGHT				1.00
2	G5110117000	SUPPORT ARM, RIGHT				1.00
3	SM6062002TP	SCREW M6 L=20				1.00
4	G5146119C00	SLIDE SHAFT				1.00
5	SM6051202TP	SCREW M5X0.8 L=12				1.00
6	WS0510002KN	SPRING WASHER				1.00
7	G5108119000	WASHER				1.00
8	G5125117A00	SLIDING METAL				1.00
9	SM6053002TP	SCREW M5X0.8 L=30				1.00
10	WS0510002KN	SPRING WASHER				1.00
11	SM6065002TP	SCREW M6 L=50				1.00
12	NM6060001SC	NUT M6				1.00
13	G5122117000	SUPPORT ARM STOPPER				1.00
14	NM6050001SC	NUT M5				1.00
15	G5126117000	SPACER				1.00
16	G5132116B00	FOLDING BRACKET				1.00
17	SM6031202TP	SCREW M3X0.5 L=12				1.00
18	NM6030001SC	NUT M3				1.00
19	G5130116D00	FOLDING PLATE STOPPER, RIGHT A				1.00
20	SM6051552TP	SCREW M5 L=15				2.00
21	SM6031202TP	SCREW M3X0.5 L=12				1.00
22	NM6030001SC	NUT M3				1.00
23	G5130116C00	FOLDING PLATE STOPPER,RIGHT	FOR 8,10,12,14MM			1.00
24	G5130116D00	FOLDING PLATE STOPPER, RIGHT A	FOR 16,18,20MM			1.00
25	G5129116C00	SPRING				1.00
26	G5140116000	FLAP SCALE				1.00
27	SM5040451SC	SCREW M4X0.7 L=4				1.00
28	G5847116000	KNOB SCREW				1.00
29	G5124117000	FLAP STOPPER B				1.00
30	SM4030401SC	SCREW M3X0.5 L=4				1.00
31	WP0320500SC	WASHER M3				1.00
32	25298415	FOLDING PLATE ,RIGHT	FOR 8,10,12,14MM			1.00
33	25298613	FOLDING PLATE ,RIGHT	FOR 16,18,20MM			1.00
34	G5151116C00	FLAP PRESSER FULCRUM SHAFT				1.00
35	SM6041202TP	SCREW M4X0.7 L=12				2.00
36	WS0410002KN	SPRING WASHER				2.00
37	WP0430800SC	WASHER M4				2.00
38	25377300	SET COLLAR				1.00
39	SM8040402TP	SCREW M4X0.7 L=4				1.00
40	WP0450801SD	WASHER 4.5X10X0.8				1.00
41	18559005	SHEET				1.00
42	18302505	BRACKET, RIGHT				1.00
43	SM6051202TP	SCREW M5X0.8 L=12				2.00
44	WS0510002KN	SPRING WASHER				2.00
45	SM6031002TP	HEXAGONAL BOLT M3 X 10				1.00
46	NM6030001SC	NUT M3				1.00
47	SM6042502TP	SCREW M4X0.7 L=25				1.00
48	NM6040001SC	NUT M4				1.00

49	G5148116C00	PIN				1.00
50	16701005	SPRING				1.00
51	G5149116C00	FLAP PRESSER ARM, RIGHT				1.00
52	SM8030502TP	SCREW M3 L=5				2.00
53	G5410116AA0	CYLINDER				1.00
54	PC010507000	SPEED CONTROLLER				1.00
55	16809303	GARMENT CLAMP, G=8-14	FOR 8,10,12,14MM			1.00
56	16809501	GARMENT CLAMP, RIGHT G=16-20	FOR 16,18,20MM			1.00
57	16778508	GARMENT CLAMP RUBBER, RIGHT				1.00
58	16807117	GARMENT CLAMP FULCULUM PIN				1.00
59	WP0430800SC	WASHER M4				1.00
60	NM6040001SC	NUT M4				2.00
61	NM6040001SC	NUT M4				2.00
62	SM6044002TP	SCREW				2.00
63	SM6041002TP	SCREW M4 L=10				2.00
64	WS0410002KN	SPRING WASHER				2.00
65	WP0430800SC	WASHER M4				2.00
66	G5402116AA0	WELT PATCH FOLDING CYL. ASM.				1.00
67	G5143116A00	FLAP PRESSER RUBBER SOLE				1.00
68	G5149116000	FLAP PRESSER ARM				1.00
69	SM6041002TP	SCREW M4 L=10				2.00
70	WS0410002KH	SPRING WASHER				2.00
71	WP0430800SC	WASHER M4				2.00
72	25298852	FLAP BASE ASM., RIGHT	SELECTIVE PARTS			1.00
73	25332255	FLAP BASE ASM., RIGHT	SELECTIVE PARTS			1.00
74	25298803	FLAP BASE PLATE,RIGHT	FOR 8,10,12,14MM	*		1.00
75	25332206	FLAP BASE PLATE,RIGHT	FOR 16,18,20MM	*		1.00
76	25299108	SCALE SEAL		*		1.00
77	SM1040601SC	SCREW M4X0.7 L=6	FOR STANDARD			2.00
78	16704801	RUBBER CLAMP	FOR STANDARD			1.00
79	16704900	RUBBER CLAMP	FOR HEAVY-WEIG HT MATERIALS			1.00
80	G5152119E00	RUBBER SOLE, LEFT E	FOR STANDARD			1.00
81	G5152119G00	RUBBER SOLE, LEFT G	FOR HEAVY-WEIG HT MATERIALS			1.00
82	SM6041202TP	SCREW M4X0.7 L=12				1.00
83	WS0410002KN	SPRING WASHER				1.00
84	WP0430800SC	WASHER M4				1.00
85	PX055101000	ELEMENT				1.00
86	PV015118000	VALVE				1.00
87	PV010011000	VALVE				1.00
88	SS7110840SP	SCREW 11/64-40 L=7.8				2.00

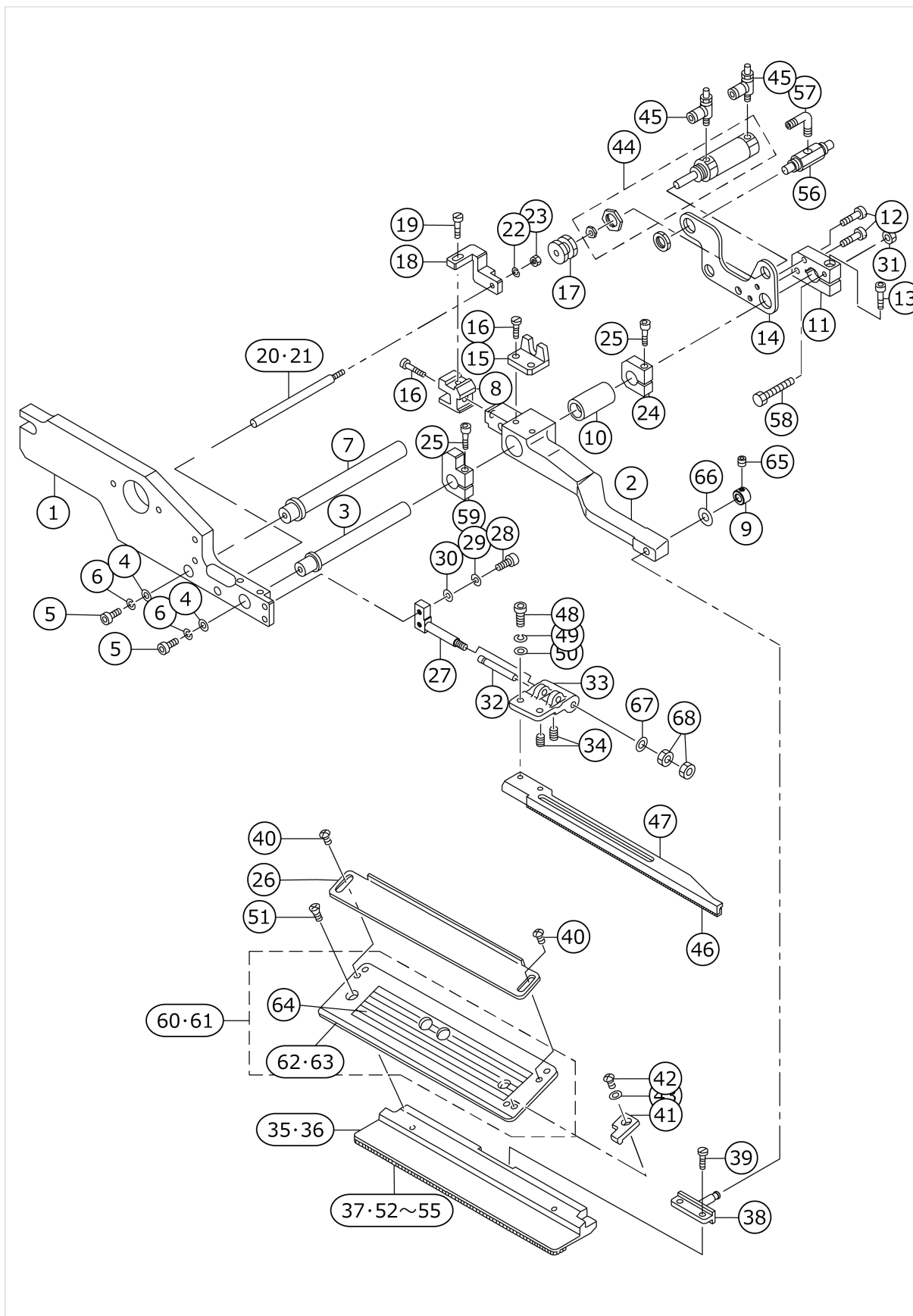
SA-97N:SINGLE & DOUBLE CHANGE UNIT (1) (FOR LEFT) (OPTION)

GSA97000IA0A(G=8~14)
GSA97000JA0A(G=16~20)



No.	品番	品名	備考	子部品	消耗品	個数
1	25299405	FULCRUM BASE				1.00
2	16907701	SHAFT				1.00
3	SM8050602TP	SCREW M5 L=6				2.00
4	18550806	FULCRUM BOSS				2.00
5	SM6051802TP	SCREW M5 L=18				4.00
6	16908105	COLLAR				4.00
7	SM8050602TP	SCREW M5 L=6				4.00
8	PV010012000	VALVE				1.00
9	SM6040602TP	SCREW M4 L=6				2.00
10	WS0410002KN	SPRING WASHER				2.00
11	PV1505310A0	AIR OPERATE VALVE				1.00
12	PJ210004200	HALF UNION				2.00

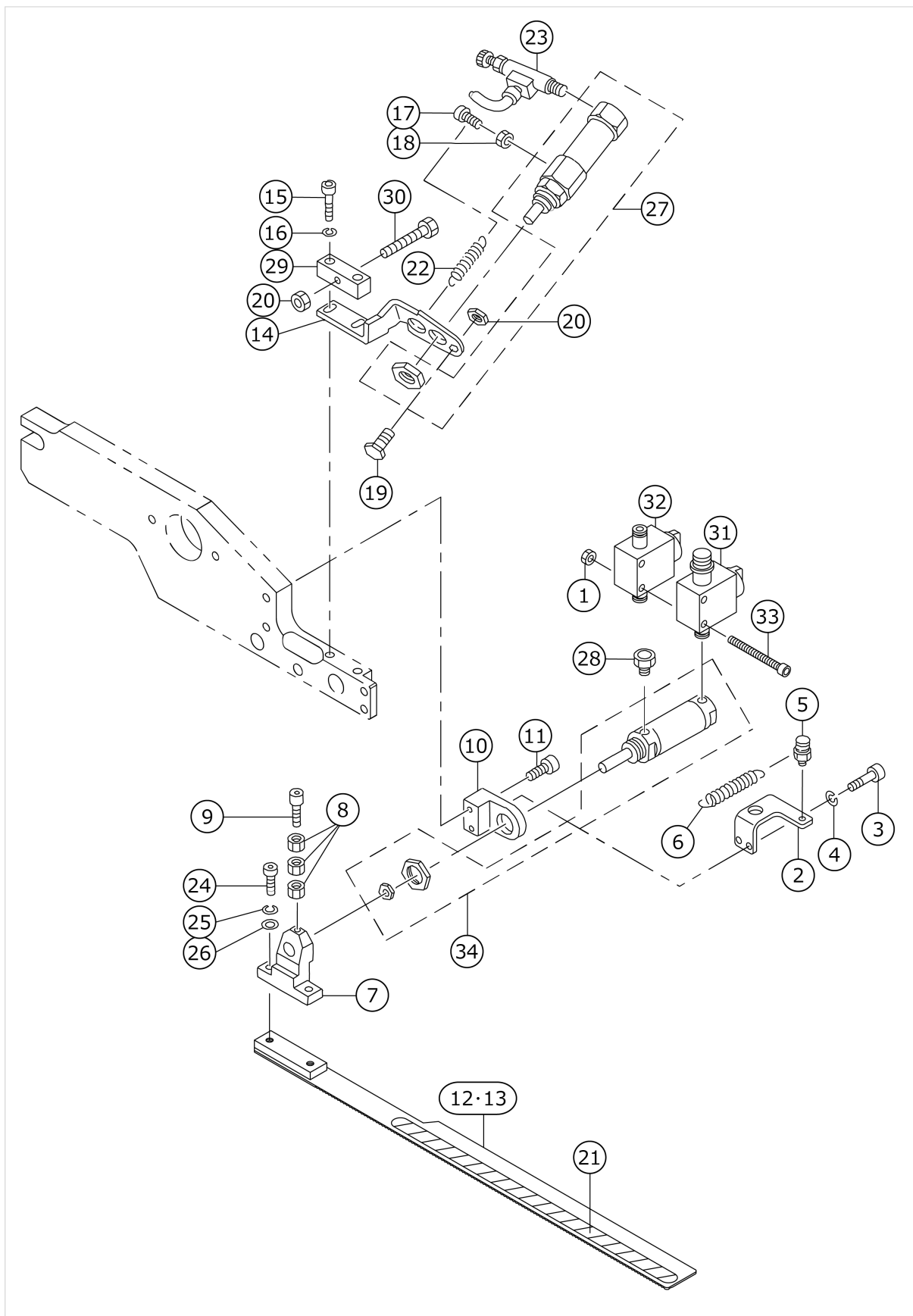
SA-97N:SINGLE & DOUBLE CHANGE UNIT (2) (FOR LEFT) (OPTION)



No.	品番	品名	備考	子部品	消耗品	個数
1	25336900	CLAMP FOOT ARM (RIGHT)				1.00
2	G5109117000	SUPPORT ARM, LEFT				1.00
3	18300806	SLIDER SHAFT, A				1.00
4	G5108119000	WASHER				2.00
5	SM6051202TP	SCREW M5X0.8 L=12				2.00
6	WS0510002KN	SPRING WASHER				2.00
7	18300905	SLIDER SHAFT, B				1.00
8	18301002	GUIDE BLOCK				1.00
9	25377300	SET COLLAR				1.00
10	18301101	BUSH				1.00
11	18582809	BLOCK				1.00
12	SS6111610SP	SCREW 11/64-40 L=16				2.00
13	SM6051802TP	SCREW M5 L=18				1.00
14	18566604	PLATE				1.00
15	18301408	CYLINDER BRACKET				1.00
16	SS7111120SP	SCREW 11/64-40 L=10.5				3.00
17	18301507	CYLINDER NUT				1.00
18	18564302	STOPPER INSTALLING BASE				1.00
19	SS9111010SP	SCREW 11/64-40 L=9.5				1.00
20	18301705	STOPPER SHAFT G=8-14	FOR 8,10,12,14MM			1.00
21	18301804	STOPPER SHAFT G=16-20	FOR 16,18,20MM			1.00
22	WS0410002KN	SPRING WASHER				1.00
23	NM6040001SC	NUT M4				1.00
24	18301903	STOPPER				2.00
25	SM6052502TP	SCREW M5X0.8 L=25				2.00
26	G5140116000	FLAP SCALE				1.00
27	G5151116C00	FLAP PRESSER FULCRUM SHAFT				1.00
28	SM6041202TP	SCREW M4X0.7 L=12				2.00
29	WS0410002KN	SPRING WASHER				2.00
30	WP0430800SC	WASHER M4				2.00
31	NM6040001SC	NUT M4				1.00
32	G5148116000	FLAP PRESSER PIVOT PIN				1.00
33	G5149116C00	FLAP PRESSER ARM, RIGHT				1.00
34	SM8030502TP	SCREW M3 L=5				2.00
35	16809303	GARMENT CLAMP, G=8-14	FOR 8,10,12,14MM			1.00
36	16809501	GARMENT CLAMP, RIGHT G=16-20	FOR 16,18,20MM			1.00
37	16778508	GARMENT CLAMP RUBBER, RIGHT				1.00
38	16807117	GARMENT CLAMP FULCULUM PIN				1.00
39	SS7110840SP	SCREW 11/64-40 L=7.8				2.00
40	SM5040655SN	SCREW				2.00
41	G5124117000	FLAP STOPPER B				1.00
42	SM4030401SC	SCREW M3X0.5 L=4				1.00
43	WP0320500SC	WASHER M3				1.00
44	PA250600100	AIR CYLINDER				1.00
45	PC015107000	SPEED CONTROLLER				2.00
46	G5143116A00	FLAP PRESSER RUBBER SOLE				1.00
47	G5154116C00	SPRING ANCHOR PLATE				1.00
48	SM6041002TP	SCREW M4 L=10				2.00

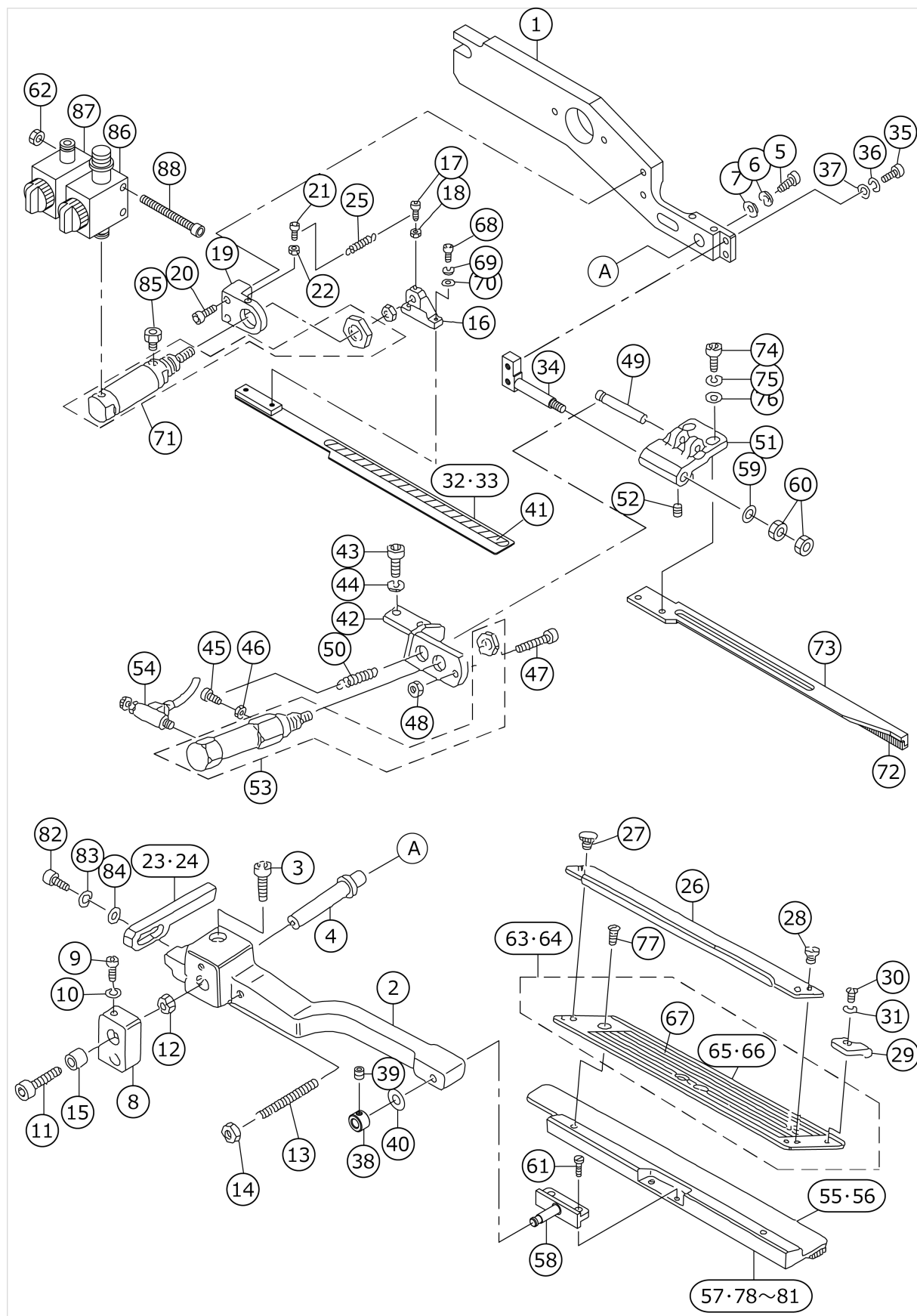
49	WS0410002KN	SPRING WASHER				2.00
50	WP0430800SC	WASHER M4				1.00
51	SM1040601SC	SCREW M4X0.7 L=6				1.00
52	16704801	RUBBER CLAMP	FOR STANDARD			1.00
53	16704900	RUBBER CLAMP	FOR HEAVY-WEIG HT MATERIALS			1.00
54	G5152119H00	RUBBER SOLE, RIGHT H	FOR HEAVY-WEIG HT MATERIALS			1.00
55	G5152119F00	RUBBER SOLE, RIGHT F	FOR STANDARD			1.00
56	PV010508000	MECHANICAL VALVE				1.00
57	PJ304040504	ELBOW UNION				1.00
58	18582205	STOPPER BOLT				1.00
59	18583005	STOPPER				1.00
60	25298852	FLAP BASE ASM., RIGHT	SELECTIVE PARTS			1.00
61	25332255	FLAP BASE ASM., RIGHT	SELECTIVE PARTS			1.00
62	25298803	FLAP BASE PLATE,RIGHT	FOR 8,10,12,14MM	*		1.00
63	25332206	FLAP BASE PLATE,RIGHT	FOR 16,18,20MM	*		1.00
64	25299108	SCALE SEAL		*		1.00
65	SM8040402TP	SCREW M4X0.7 L=4				1.00
66	WP0450801SD	WASHER 4.5X10X0.8				1.00
67	WP0430800SC	WASHER M4				1.00
68	NM6040001SC	NUT M4				2.00

SA-97N:SINGLE & DOUBLE CHANGE UNIT (3) (FOR LEFT) (OPTION)



No.	品番	品名	備考	子部品	消耗品	個数
1	NM6040001SC	NUT M4				2.00
2	18564203	SPRING HOOK BRACKET				1.00
3	SM6041002TP	SCREW M4 L=10				2.00
4	WS0410002KN	SPRING WASHER				2.00
5	18302109	PIN				1.00
6	18302208	SPRING				1.00
7	G5132116B00	FOLDING BRACKET				1.00
8	NM6030001SC	NUT M3				3.00
9	SM6032002TP	SCREW M3X0.5 L=20				1.00
10	18564104	BRACKET, RIGHT				1.00
11	SM6052502TP	SCREW M5X0.8 L=25				2.00
12	25298407	FOLDING PLATE,RIGHT	FOR 10,12,14MM			1.00
13	25298605	FOLDING PLATE,RIGHT	FOR 16,18,20MM			1.00
14	18302505	BRACKET, RIGHT				1.00
15	SM6051202TP	SCREW M5X0.8 L=12				2.00
16	WS0510002KN	SPRING WASHER				2.00
17	SM6031002TP	HEXAGONAL BOLT M3 X 10				1.00
18	NM6030001SC	NUT M3				1.00
19	SM6042502TP	SCREW M4X0.7 L=25				1.00
20	NM6040001SC	NUT M4				1.00
21	18559005	SHEET				1.00
22	16701005	SPRING				1.00
23	PC010507000	SPEED CONTROLLER				1.00
24	SM6041002TP	SCREW M4 L=10				2.00
25	WS0410002KN	SPRING WASHER				2.00
26	WP0430800SC	WASHER M4				2.00
27	G5410116AA0	CYLINDER				1.00
28	PX055101000	ELEMENT				1.00
29	18582908	ADJUSTING BLOCK				1.00
30	18582205	STOPPER BOLT				1.00
31	PV015118000	VALVE				1.00
32	PV010011000	VALVE				1.00
33	SM6044002TP	SCREW				2.00
34	G5402116AA0	WELT PATCH FOLDING CYL. ASM.				1.00

SA-97N:SINGLE & DOUBLE CHANGE UNIT (4) (FOR LEFT) (OPTION)

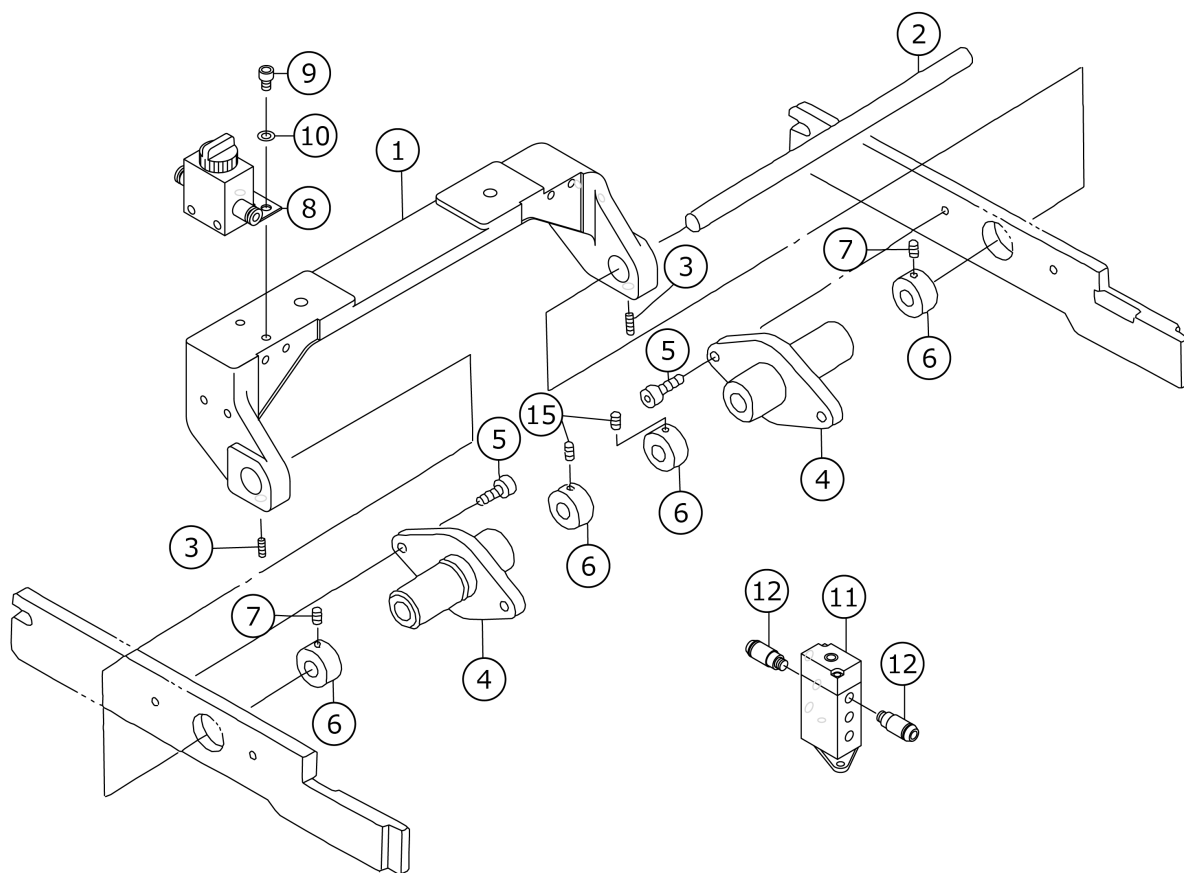


No.	品番	品名	備考	子部品	消耗品	個数
1	25298100	PRESSER ARM,LEFT				1.00
2	G5110117000	SUPPORT ARM, RIGHT				1.00
3	SM6062002TP	SCREW M6 L=20				1.00
4	G5146119C00	SLIDE SHAFT				1.00
5	SM6051202TP	SCREW M5X0.8 L=12				1.00
6	WS0510002KN	SPRING WASHER				1.00
7	G5108119000	WASHER				1.00
8	G5124117A00	SLIDING METAL				1.00
9	SM6053002TP	SCREW M5X0.8 L=30				1.00
10	WS0510002KN	SPRING WASHER				1.00
11	SM6065002TP	SCREW M6 L=50				1.00
12	NM6060001SC	NUT M6				1.00
13	G5122117000	SUPPORT ARM STOPPER				1.00
14	NM6050001SC	NUT M5				1.00
15	G5126117000	SPACER				1.00
16	G5132116B00	FOLDING BRACKET				1.00
17	SM6031202TP	SCREW M3X0.5 L=12				1.00
18	NM6030001SC	NUT M3				1.00
19	G5119116C00	FOLDING CYLINDER BRACKET,LEFT				1.00
20	SM6051552TP	SCREW M5 L=15				2.00
21	SM6031202TP	SCREW M3X0.5 L=12				1.00
22	NM6030001SC	NUT M3				1.00
23	G5130116C00	FOLDING PLATE STOPPER,RIGHT	FOR 8,10,12,14MM			1.00
24	G5130116D00	FOLDING PLATE STOPPER, RIGHT A	FOR 16,18,20MM			1.00
25	G5129116C00	SPRING				1.00
26	G5140116000	FLAP SCALE				1.00
27	SM5040451SC	SCREW M4X0.7 L=4				1.00
28	G5847116000	KNOB SCREW				1.00
29	G5123117000	FLAP STOPPER A				1.00
30	SM4030401SC	SCREW M3X0.5 L=4				1.00
31	WP0320500SC	WASHER M3				1.00
32	25298316	FOLDING PLATE,LEFT	FOR 10,12,14MM			1.00
33	25298514	FOLDING PLATE,LEFT	FOR 16,18,20MM			1.00
34	G5151116C00	FLAP PRESSER FULCRUM SHAFT				1.00
35	SM6041202TP	SCREW M4X0.7 L=12				2.00
36	WS0410002KN	SPRING WASHER				2.00
37	WP0430800SC	WASHER M4				2.00
38	25377300	SET COLLAR				1.00
39	SM8040402TP	SCREW M4X0.7 L=4				1.00
40	WP0450801SD	WASHER 4.5X10X0.8				1.00
41	18559005	SHEET				1.00
42	18302406	BRACKET, LEFT				1.00
43	SM6051202TP	SCREW M5X0.8 L=12				2.00
44	WS0510002KN	SPRING WASHER				2.00
45	SM6031002TP	HEXAGONAL BOLT M3 X 10				1.00
46	NM6030001SC	NUT M3				1.00
47	SM6042502TP	SCREW M4X0.7 L=25				1.00
48	NM6040001SC	NUT M4				1.00
49	G5148116C00	PIN				1.00

50	16701005	SPRING				1.00
51	G5150116C00	FLAP PRESSER ARM, LEFT				1.00
52	SM8030502TP	SCREW M3 L=5				2.00
53	G5410116AA0	CYLINDER				1.00
54	PC010507000	SPEED CONTROLLER				1.00
55	16809204	GARMENT CLAMP, LEFT G=8-14	FOR 8,10,12,14MM			1.00
56	16809402	GARMENT CLAMP, LEFT G=16-20	FOR 16,18,20MM			1.00
57	16778409	GARMENT CLAMP RUBBER, LEFT				1.00
58	16807117	GARMENT CLAMP FULCULUM PIN				1.00
59	WP0430800SC	WASHER M4				1.00
60	NM6040001SC	NUT M4				2.00
61	SS7110840SP	SCREW 11/64-40 L=7.8				2.00
62	NM6040001SC	NUT M4				2.00
63	25298753	FLAP BASE ASM., LEFT	SELECTIVE PARTS			1.00
64	25332156	FLAP BASE ASM., LEFT	SELECTIVE PARTS			1.00
65	25298704	FLAP BASE PLATE,LEFT	FOR 8,10,12,14MM	*		1.00
66	25332107	FLAP BASE PLATE,LEFT	FOR 16,18,20MM	*		1.00
67	25299108	SCALE SEAL		*		1.00
68	SM6041002TP	SCREW M4 L=10				2.00
69	WS0410002KN	SPRING WASHER				2.00
70	WP0430800SC	WASHER M4				2.00
71	G5402116AA0	WELT PATCH FOLDING CYL. ASM.				1.00
72	G5143116A00	FLAP PRESSER RUBBER SOLE				1.00
73	G5154116C00	SPRING ANCHOR PLATE				1.00
74	SM6041002TP	SCREW M4 L=10				2.00
75	WS0410002KH	SPRING WASHER				2.00
76	WP0430800SC	WASHER M4				2.00
77	SM1040601SC	SCREW M4X0.7 L=6	FOR STANDARD			2.00
78	16704801	RUBBER CLAMP	FOR STANDARD			1.00
79	16704900	RUBBER CLAMP	FOR HEAVY-WEIG HT MATERIALS			1.00
80	G5152119E00	RUBBER SOLE, LEFT E	FOR STANDARD			1.00
81	G5152119G00	RUBBER SOLE, LEFT G	FOR HEAVY-WEIG HT MATERIALS			1.00
82	SM6041202TP	SCREW M4X0.7 L=12				1.00
83	WS0410002KN	SPRING WASHER				1.00
84	WP0430800SC	WASHER M4				1.00
85	PX055101000	ELEMENT				1.00
86	PV015118000	VALVE				1.00
87	PV010011000	VALVE				1.00
88	SM6044002TP	SCREW				2.00

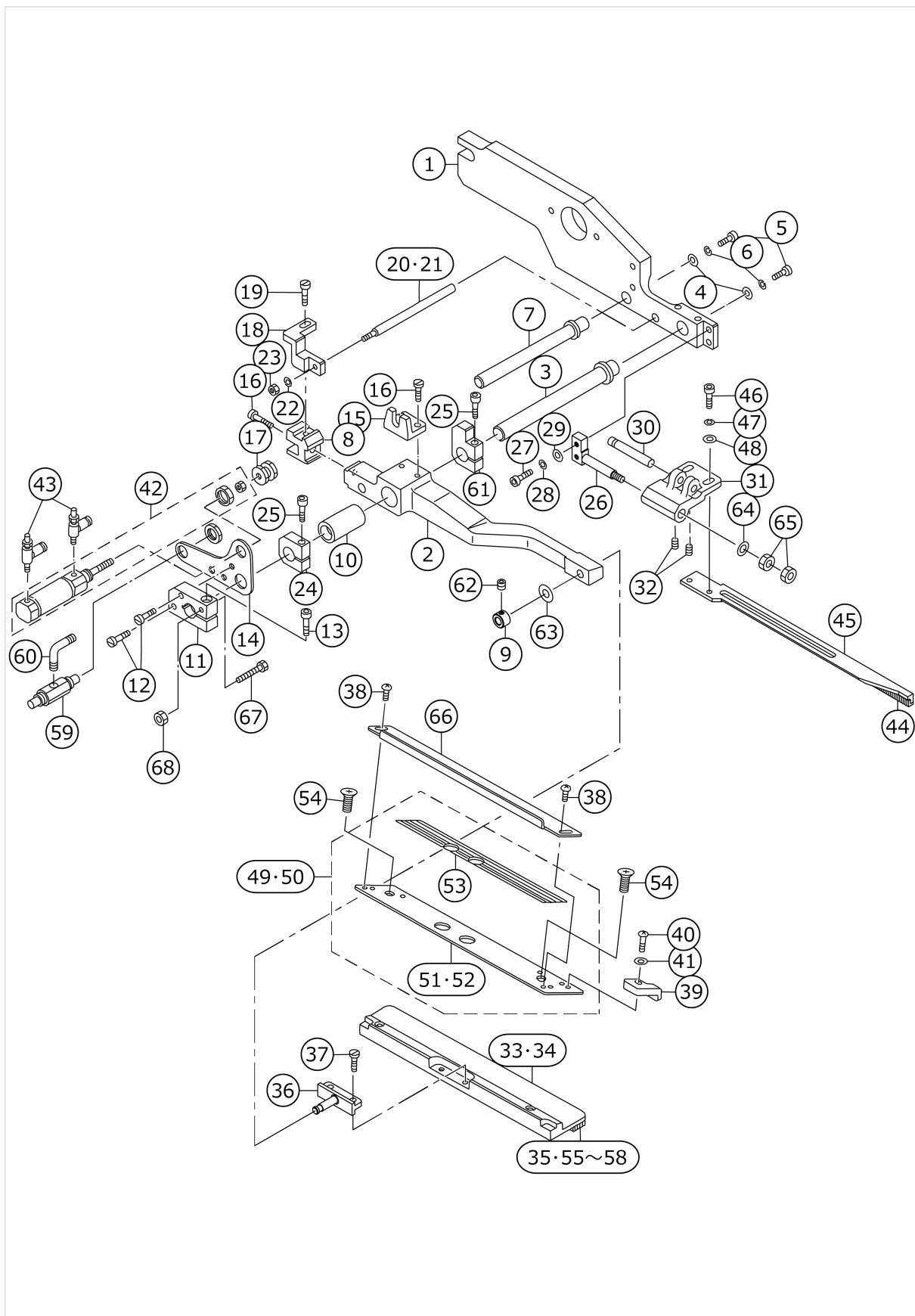
SA-97N:SINGLE & DOUBLE CHANGE UNIT (1) (FOR BOTH) (OPTION)

GSA97000KA0A(G=8~14)
GSA97000LA0A(G=16~20)



No.	品番	品名	備考	子部品	消耗品	個数
1	25299405	FULCRUM BASE				1.00
2	16907701	SHAFT				1.00
3	SM8050602TP	SCREW M5 L=6				2.00
4	18550806	FULCRUM BOSS				2.00
5	SM6051802TP	SCREW M5 L=18				4.00
6	16908105	COLLAR				4.00
7	SM8050602TP	SCREW M5 L=6				4.00
8	PV010012000	VALVE				1.00
9	SM6040602TP	SCREW M4 L=6				2.00
10	WS0410002KN	SPRING WASHER				2.00
11	PV1505310A0	AIR OPERATE VALVE				1.00
12	PJ210004200	HALF UNION				2.00

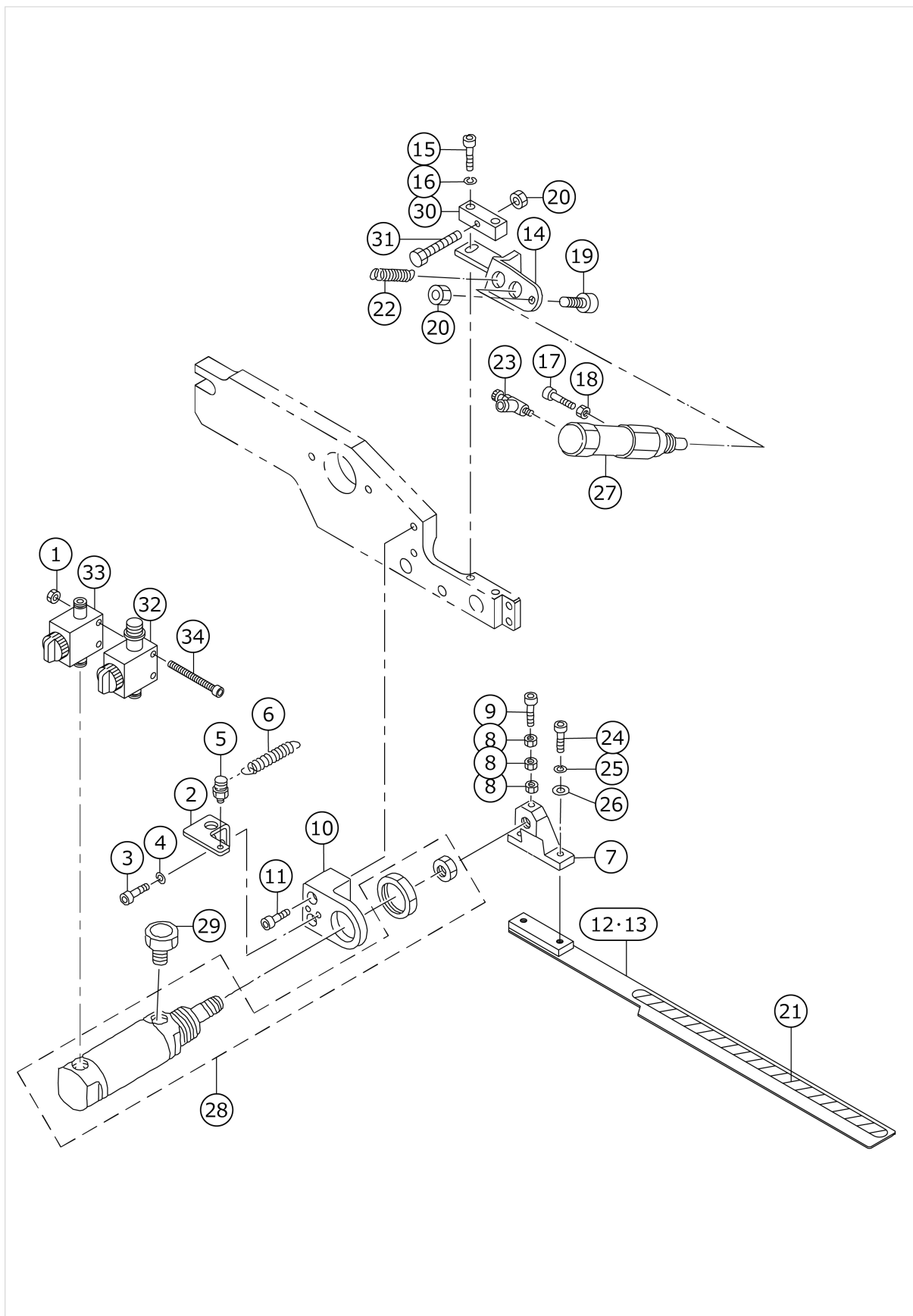
SA-97N:SINGLE & DOUBLE CHANGE UNIT (2) (FOR BOTH) (OPTION)



No.	品番	品名	備考	子部品	消耗品	個数
1	25336801	CLAMP FOOT ARM ,LEFT				1.00
2	18300707	SUPPORT ARM, LEFT				1.00
3	18300806	SLIDER SHAFT, A				1.00
4	G5108119000	WASHER				2.00
5	SM6051202TP	SCREW M5X0.8 L=12				2.00
6	WS0510002KN	SPRING WASHER				2.00
7	18300905	SLIDER SHAFT, B				1.00
8	18301002	GUIDE BLOCK				1.00
9	25377300	SET COLLAR				1.00
10	18301101	BUSH				1.00
11	18582809	BLOCK				1.00
12	SS6111610SP	SCREW 11/64-40 L=16				2.00
13	SM6051802TP	SCREW M5 L=18				1.00
14	18566604	PLATE				1.00
15	18301408	CYLINDER BRACKET				1.00
16	SS7111120SP	SCREW 11/64-40 L=10.5				3.00
17	18301507	CYLINDER NUT				1.00
18	18564302	STOPPER INSTALLING BASE				1.00
19	SS9111010SP	SCREW 11/64-40 L=9.5				1.00
20	18301705	STOPPER SHAFT G=8-14	FOR 8,10,12,14MM			1.00
21	18301804	STOPPER SHAFT G=16-20	FOR 16,18,20MM			1.00
22	WS0410002KN	SPRING WASHER				1.00
23	NM6040001SC	NUT M4				1.00
24	18301903	STOPPER				2.00
25	SM6052502TP	SCREW M5X0.8 L=25				2.00
26	G5151116C00	FLAP PRESSER FULCRUM SHAFT				1.00
27	SM6041202TP	SCREW M4X0.7 L=12				2.00
28	WS0410002KN	SPRING WASHER				2.00
29	WP0430800SC	WASHER M4				2.00
30	G5148116000	FLAP PRESSER PIVOT PIN				1.00
31	G5150116C00	FLAP PRESSER ARM, LEFT				1.00
32	SM8030502TP	SCREW M3 L=5				2.00
33	16809204	GARMENT CLAMP, LEFT G=8-14	FOR 8,10,12,14MM			1.00
34	16809402	GARMENT CLAMP, LEFT G=16-20	FOR 16,18,20MM			1.00
35	16778409	GARMENT CLAMP RUBBER, LEFT				1.00
36	16807117	GARMENT CLAMP FULCULUM PIN				1.00
37	SS7110840SP	SCREW 11/64-40 L=7.8				2.00
38	SM5040655SN	SCREW				2.00
39	G5123117000	FLAP STOPPER A				1.00
40	SM4030401SC	SCREW M3X0.5 L=4				1.00
41	WP0320500SC	WASHER M3				1.00
42	PA250600100	AIR CYLINDER				1.00
43	PC015107000	SPEED CONTROLLER				2.00
44	G5143116A00	FLAP PRESSER RUBBER SOLE				1.00
45	G5154116C00	SPRING ANCHOR PLATE				1.00
46	SM6041002TP	SCREW M4 L=10				2.00
47	WS0410002KN	SPRING WASHER				2.00
48	WP0430800SC	WASHER M4				2.00

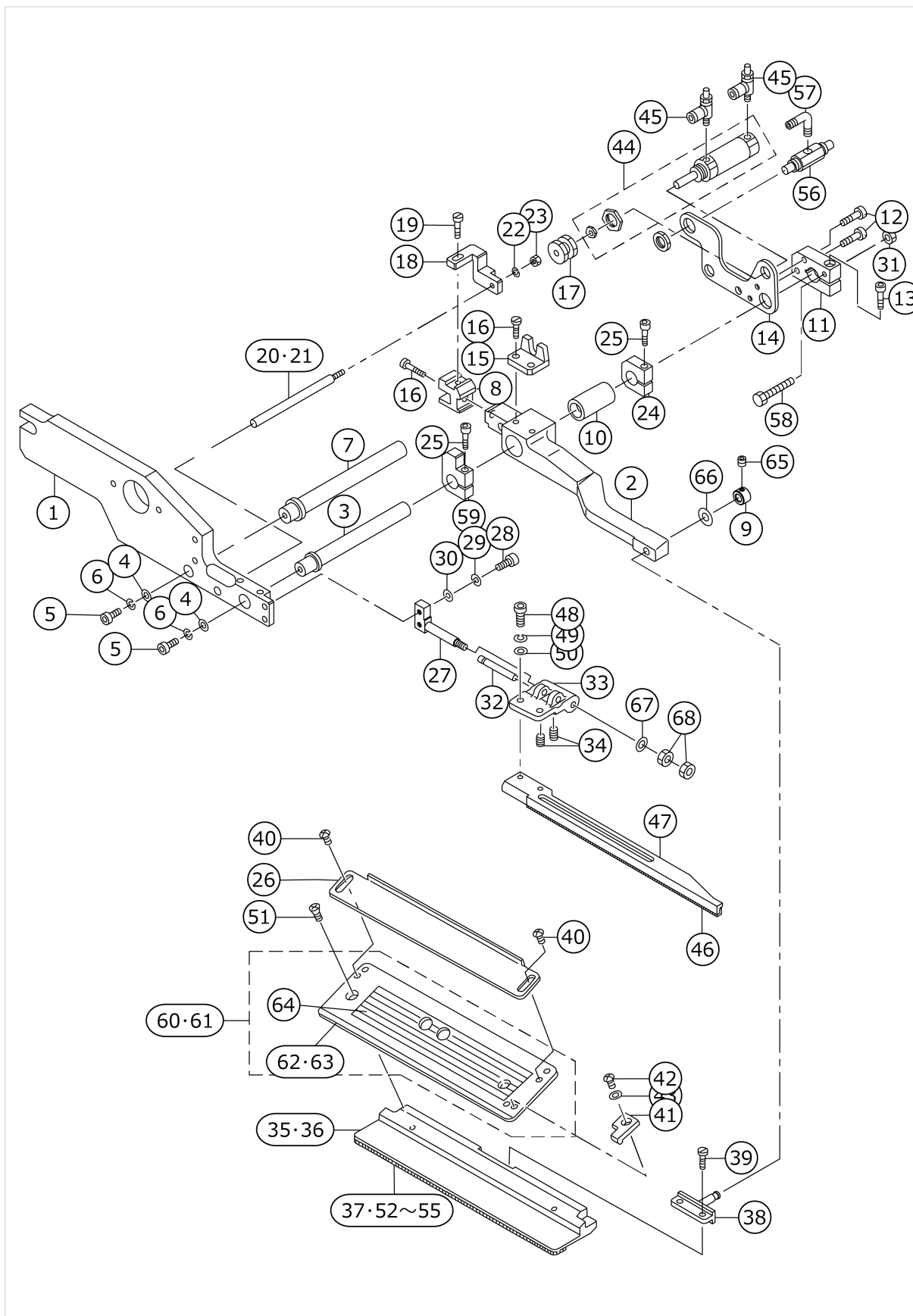
49	25298753	FLAP BASE ASM., LEFT	FOR 8,10,12,14MM			1.00
50	25332156	FLAP BASE ASM., LEFT	FOR 16,18,20MM			1.00
51	25298704	FLAP BASE PLATE,LEFT	FOR 8,10,12,14MM	*		1.00
52	25332107	FLAP BASE PLATE,LEFT	FOR 16,18,20MM	*		1.00
53	25299108	SCALE SEAL		*		1.00
54	SM1040601SC	SCREW M4X0.7 L=6				2.00
55	16704801	RUBBER CLAMP	FOR STANDARD			1.00
56	16704900	RUBBER CLAMP	FOR HEAVY-WEIG HT MATERIALS			1.00
57	G5152119H00	RUBBER SOLE, RIGHT H	FOR HEAVY-WEIG HT MATERIALS			1.00
58	G5152119F00	RUBBER SOLE, RIGHT F	FOR STANDARD			1.00
59	PV010508000	MECHANICAL VALVE				1.00
60	PJ304040504	ELBOW UNION				2.00
61	18583005	STOPPER				1.00
62	SM8040402TP	SCREW M4X0.7 L=4				1.00
63	WP0450801SD	WASHER 4.5X10X0.8				1.00
64	WP0430800SC	WASHER M4				1.00
65	NM6040001SC	NUT M4				2.00
66	G5140116000	FLAP SCALE				1.00
67	18582205	STOPPER BOLT				2.00
68	NM6040001SC	NUT M4				1.00

SA-97N:SINGLE & DOUBLE CHANGE UNIT (3) (FOR BOTH) (OPTION)



No.	品番	品名	備考	子部品	消耗品	個数
1	NM6040001SC	NUT M4				2.00
2	18302000	BRACKET				1.00
3	SM6041002TP	SCREW M4 L=10				2.00
4	WS0410002KN	SPRING WASHER				2.00
5	18302109	PIN				1.00
6	18302208	SPRING				1.00
7	G5132116B00	FOLDING BRACKET				1.00
8	NM6030001SC	NUT M3				3.00
9	SM6032002TP	SCREW M3X0.5 L=20				1.00
10	18302307	BRACKET, LEFT				1.00
11	SM6052502TP	SCREW M5X0.8 L=25				2.00
12	25298316	FOLDING PLATE,LEFT	FOR 8,10,12,14MM			1.00
13	25298514	FOLDING PLATE,LEFT	FOR 16,18,20MM			1.00
14	18302406	BRACKET, LEFT				1.00
15	SM6051202TP	SCREW M5X0.8 L=12				2.00
16	WS0510002KN	SPRING WASHER				2.00
17	SM6031002TP	HEXAGONAL BOLT M3 X 10				1.00
18	NM6030001SC	NUT M3				1.00
19	SM6042502TP	SCREW M4X0.7 L=25				1.00
20	NM6040001SC	NUT M4				1.00
21	18559005	SHEET				1.00
22	16701005	SPRING				1.00
23	PC010507000	SPEED CONTROLLER				1.00
24	SM6041002TP	SCREW M4 L=10				2.00
25	WS0410002KN	SPRING WASHER				2.00
26	WP0430800SC	WASHER M4				2.00
27	G5410116AA0	CYLINDER				1.00
28	G5402116AA0	WELT PATCH FOLDING CYL. ASM.				1.00
29	PX055101000	ELEMENT				1.00
30	18582908	ADJUSTING BLOCK				1.00
31	18582205	STOPPER BOLT				2.00
32	PV015118000	VALVE				1.00
33	PV010011000	VALVE				1.00
34	SM6044002TP	SCREW				2.00

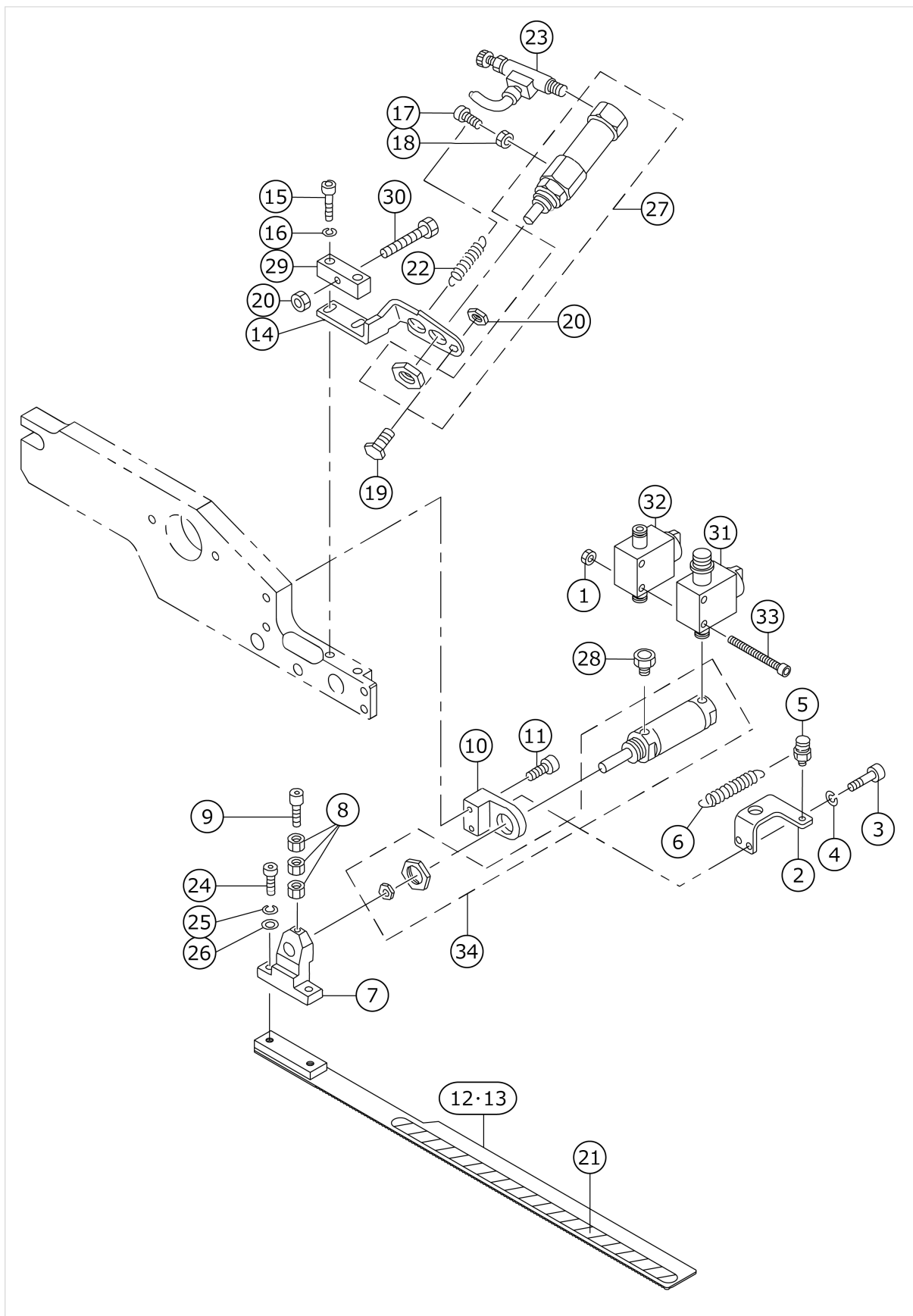
SA-97N:SINGLE & DOUBLE CHANGE UNIT (4) (FOR BOTH) (OPTION)



No.	品番	品名	備考	子部品	消耗品	個数
1	25336900	CLAMP FOOT ARM (RIGHT)				1.00
2	G5109117000	SUPPORT ARM, LEFT				1.00
3	18300806	SLIDER SHAFT, A				1.00
4	G5108119000	WASHER				2.00
5	SM6051202TP	SCREW M5X0.8 L=12				2.00
6	WS0510002KN	SPRING WASHER				2.00
7	18300905	SLIDER SHAFT, B				1.00
8	18301002	GUIDE BLOCK				1.00
9	25377300	SET COLLAR				1.00
10	18301101	BUSH				1.00
11	18582809	BLOCK				1.00
12	SS6111610SP	SCREW 11/64-40 L=16				2.00
13	SM6051802TP	SCREW M5 L=18				1.00
14	18566604	PLATE				1.00
15	18301408	CYLINDER BRACKET				1.00
16	SS7111120SP	SCREW 11/64-40 L=10.5				3.00
17	18301507	CYLINDER NUT				1.00
18	18564302	STOPPER INSTALLING BASE				1.00
19	SS9111010SP	SCREW 11/64-40 L=9.5				1.00
20	18301705	STOPPER SHAFT G=8-14	FOR 8,10,12,14MM			1.00
21	18301804	STOPPER SHAFT G=16-20	FOR 16,18,20MM			1.00
22	WS0410002KN	SPRING WASHER				1.00
23	NM6040001SC	NUT M4				1.00
24	18301903	STOPPER				2.00
25	SM6052502TP	SCREW M5X0.8 L=25				2.00
26	G5140116000	FLAP SCALE				1.00
27	G5151116C00	FLAP PRESSER FULCRUM SHAFT				1.00
28	SM6041202TP	SCREW M4X0.7 L=12				2.00
29	WS0410002KN	SPRING WASHER				2.00
30	WP0430800SC	WASHER M4				2.00
31	NM6040001SC	NUT M4				1.00
32	G5148116000	FLAP PRESSER PIVOT PIN				1.00
33	G5149116C00	FLAP PRESSER ARM, RIGHT				1.00
34	SM8030502TP	SCREW M3 L=5				2.00
35	16809303	GARMENT CLAMP, G=8-14	FOR 8,10,12,14MM			1.00
36	16809501	GARMENT CLAMP, RIGHT G=16-20	FOR 16,18,20MM			1.00
37	16778508	GARMENT CLAMP RUBBER, RIGHT				1.00
38	16807109	PIN				1.00
39	SS7110840SP	SCREW 11/64-40 L=7.8				2.00
40	SM5040655SN	SCREW				2.00
41	G5124117000	FLAP STOPPER B				1.00
42	SM4030401SC	SCREW M3X0.5 L=4				1.00
43	WP0320500SC	WASHER M3				1.00
44	PA250600100	AIR CYLINDER				1.00
45	PC015107000	SPEED CONTROLLER				2.00
46	G5143116A00	FLAP PRESSER RUBBER SOLE				1.00
47	G5154116C00	SPRING ANCHOR PLATE				1.00
48	SM6041002TP	SCREW M4 L=10				2.00

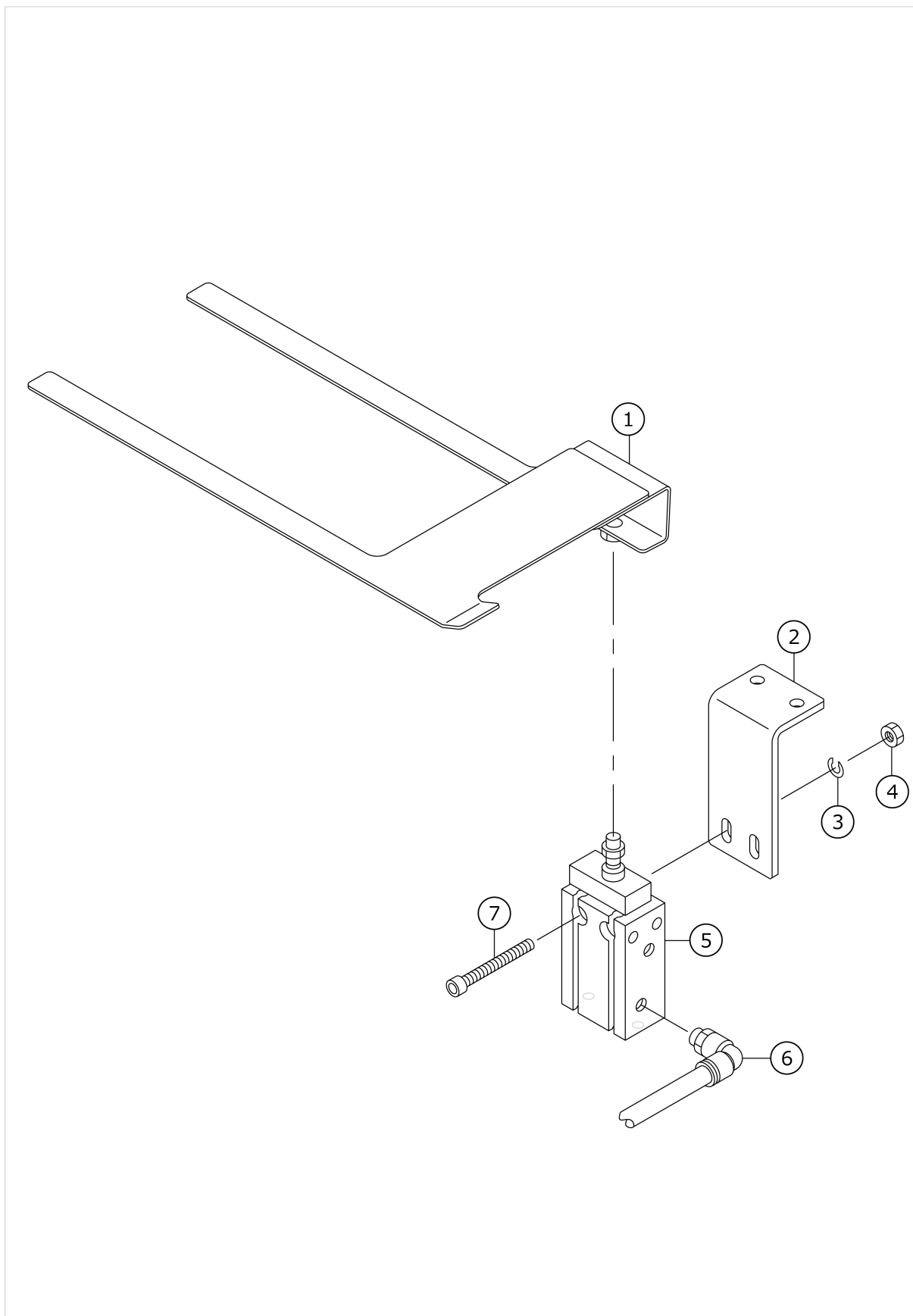
49	WS0410002KN	SPRING WASHER				2.00
50	WP0430800SC	WASHER M4				1.00
51	SM1040601SC	SCREW M4X0.7 L=6				1.00
52	16704801	RUBBER CLAMP	FOR STANDARD			1.00
53	16704900	RUBBER CLAMP	FOR HEAVY-WEIG HT MATERIALS			1.00
54	G5152119H00	RUBBER SOLE, RIGHT H	FOR HEAVY-WEIG HT MATERIALS			1.00
55	G5152119F00	RUBBER SOLE, RIGHT F	FOR STANDARD			1.00
56	PV010508000	MECHANICAL VALVE				1.00
57	PJ304040504	ELBOW UNION				1.00
58	18582205	STOPPER BOLT				1.00
59	18583005	STOPPER				1.00
60	25298852	FLAP BASE ASM., RIGHT	SELECTIVE PARTS			1.00
61	25332255	FLAP BASE ASM., RIGHT	SELECTIVE PARTS			1.00
62	25298803	FLAP BASE PLATE,RIGHT	FOR 8,10,12,14MM	*		1.00
63	25332206	FLAP BASE PLATE,RIGHT	FOR 16,18,20MM	*		1.00
64	25299108	SCALE SEAL		*		1.00
65	SM8040402TP	SCREW M4X0.7 L=4				1.00
66	WP0450801SD	WASHER 4.5X10X0.8				1.00
67	WP0430800SC	WASHER M4				1.00
68	NM6040001SC	NUT M4				2.00

SA-97N:SINGLE & DOUBLE CHANGE UNIT (5) (FOR BOTH) (OPTION)



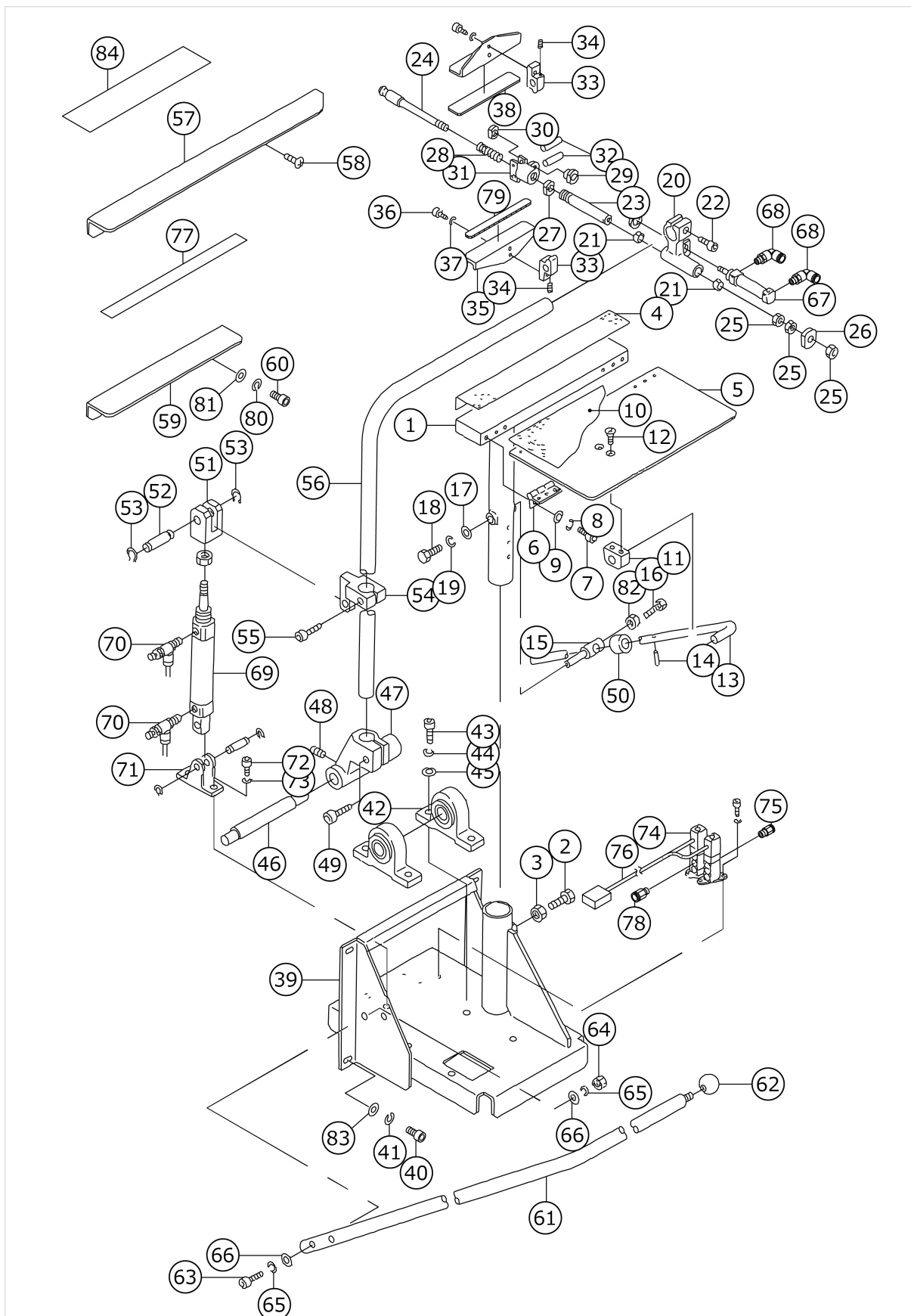
No.	品番	品名	備考	子部品	消耗品	個数
1	NM6040001SC	NUT M4				2.00
2	18564203	SPRING HOOK BRACKET				1.00
3	SM6041002TP	SCREW M4 L=10				2.00
4	WS0410002KN	SPRING WASHER				2.00
5	18302109	PIN				1.00
6	18302208	SPRING				1.00
7	G5132116B00	FOLDING BRACKET				1.00
8	NM6030001SC	NUT M3				3.00
9	SM6032002TP	SCREW M3X0.5 L=20				1.00
10	18564104	BRACKET, RIGHT				1.00
11	SM6052502TP	SCREW M5X0.8 L=25				2.00
12	25298407	FOLDING PLATE,RIGHT	FOR 10,12,14MM			1.00
13	25298605	FOLDING PLATE,RIGHT	FOR 16,18,20MM			1.00
14	18302505	BRACKET, RIGHT				1.00
15	SM6051202TP	SCREW M5X0.8 L=12				2.00
16	WS0510002KN	SPRING WASHER				2.00
17	SM6031002TP	HEXAGONAL BOLT M3 X 10				1.00
18	NM6030001SC	NUT M3				1.00
19	SM6042502TP	SCREW M4X0.7 L=25				1.00
20	NM6040001SC	NUT M4				1.00
21	18559005	SHEET				1.00
22	16701005	SPRING				1.00
23	PC010507000	SPEED CONTROLLER				1.00
24	SM6041002TP	SCREW M4 L=10				2.00
25	WS0410002KN	SPRING WASHER				2.00
26	WP0430800SC	WASHER M4				2.00
27	G5410116AA0	CYLINDER				1.00
28	PX055101000	ELEMENT				1.00
29	18582908	ADJUSTING BLOCK				1.00
30	18582205	STOPPER BOLT				1.00
31	PV015118000	VALVE				1.00
32	PV010011000	VALVE				1.00
33	SM6044002TP	SCREW				2.00
34	G5402116AA0	WELT PATCH FOLDING CYL. ASM.				1.00

SA-101:POCKET BAG CLAMP UNIT (OPTION)



No.	品番	品名	備考	子部品	消耗品	個数
1	25376807	POCKET BAG CLAMP				1.00
2	16914202	CYLNDER INSTALLING PLATE				1.00
3	WS0410002KN	SPRING WASHER				2.00
4	NM6040001SC	NUT M4				2.00
5	PA1601507A0	CYLINDER				1.00
6	PJ304040504	ELBOW UNION				1.00
7	SM6043552TN	SCREW M4 L=35				2.00

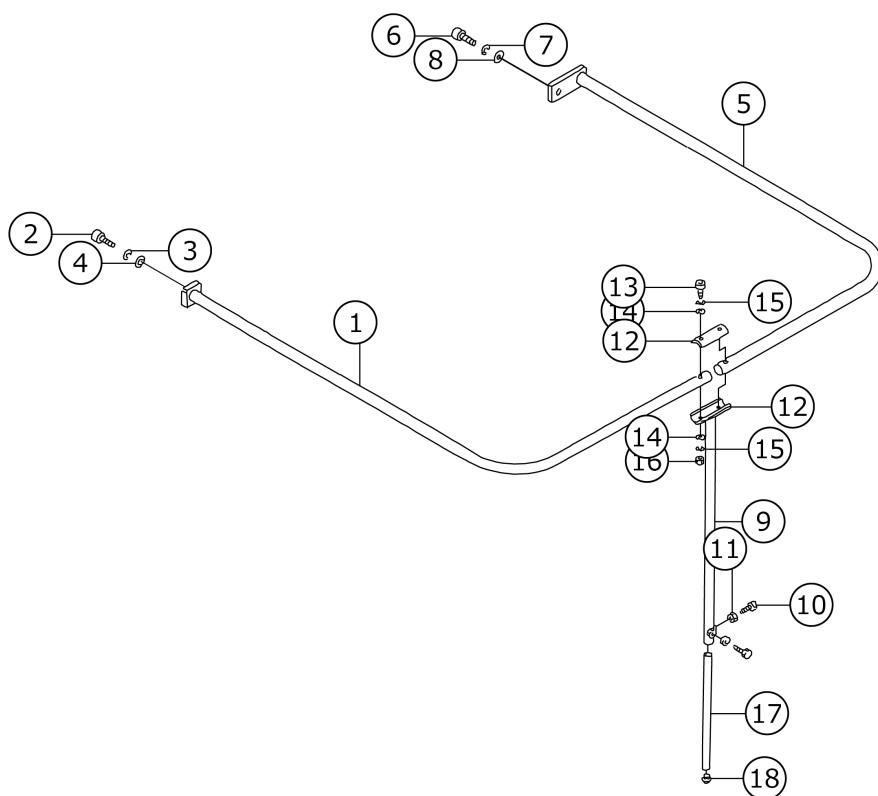
SP-41:GRASP STACKER UNIT (1) (OPTION)



No.	品番	品名	備考	子部品	消耗品	個数
1	25310103	CLOTH HOLDER BASE				1.00
2	SM9102003SB	SCREW M10 L=20				1.00
3	NM6100001SC	NUT M10X1.5				1.00
4	25306101	VELVET CLOTH(2)				1.00
5	25310202	TAKE-UP TABLE				1.00
6	G5843116000	RISED HINGE				2.00
7	SM6040602TP	SCREW M4 L=6				12.00
8	WS0410002KN	SPRING WASHER				12.00
9	WP0430800SC	WASHER M4				12.00
10	25306200	VELVET CLOTH(1)				1.00
11	G5517116000	BLOCK BRACKET				1.00
12	SM1061001SC	SCREW M6 L=10				2.00
13	G5512116000	TABLE SUPPORT BAR				1.00
14	G5832116000	SPRING PIN				1.00
15	25310301	TABLE FIXED PIN				1.00
16	SM9082003SC	SCREW M8 L=20				1.00
17	G5514116000	WASHER D=30				1.00
18	SM6061202TP	SCREW M6 L=12				1.00
19	WS0610002KN	SPRING WASHER 6.1X12.2X1.5				1.00
20	G5518116000	CHUCK STAND				1.00
21	16728107	BUSHING				2.00
22	SM6083002TP	SCREW M8 L=30				1.00
23	25310806	CHUCK ROD(D)				1.00
24	25310707	CENTER SHAFT(N)				1.00
25	NM6080001SC	NUT M8X1.25				3.00
26	G5521116000	CHUCK JAW				1.00
27	G5522116000	CHUCK ROD NUT				1.00
28	G5523116000	COIL SPRING				1.00
29	G5524116000	CYLINDER EDGE				1.00
30	G5525116000	CYLINDER EDGE NUT				1.00
31	G5526116000	CHUCK BOSS				1.00
32	G5827116000	CHUCK BOSS PIN				2.00
33	25306408	GRASPING FULCRUM BLOCK				2.00
34	SM8030402TP	SCREW M3X0.5 L=4				2.00
35	25306507	GRASPING PLATE				2.00
36	SM6041002TP	SCREW M4 L=10				4.00
37	WS0410002KN	SPRING WASHER				4.00
38	25306606	GRASPING RUBBER				1.00
39	25310004	MAIN FRAME				1.00
40	SM6061602TP	SCREW M6 L=16				4.00
41	WS0610002KN	SPRING WASHER 6.1X12.2X1.5				4.00
42	25320607	PILLOW UNIT				2.00
43	SM6103002TP	HEXAGNAN-HOLE BOLT				4.00
44	WS1020002KN	SPRING WASHER M10				4.00
45	WP1052001SC	WASHER 10,5X21X2				4.00
46	25306309	STACKER STRUT PIN				1.00
47	16681405	ARM BRACKET				1.00
48	SM8050812TP	SCREW M5X8				2.00
49	SM6083002TP	SCREW M8 L=30				1.00
50	25316704	VIBRATION-PROOF RUBBER				1.00

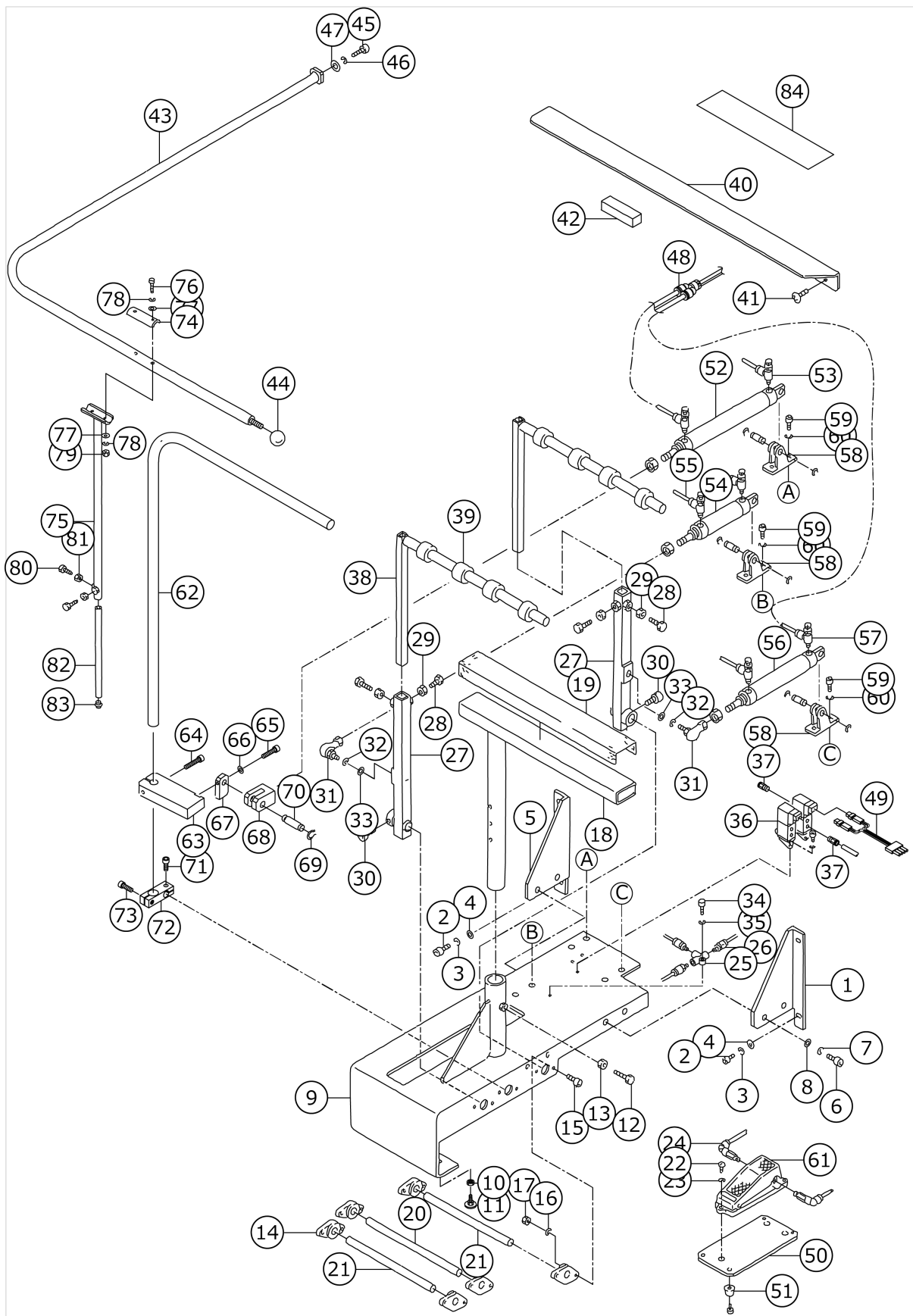
51	16681900	CONNECTING BLOCK				1.00
52	16681801	CYLINDER PIN (2)				1.00
53	RC0841011KP	RETAINING RING 8.4				2.00
54	16698102	ROCKING ARM BRACKET				1.00
55	SM6084002TN	SCREW M8 L=40				1.00
56	25310400	ROCKING ARM				1.00
57	25310509	SUB TABLE(A)				1.00
58	SM0050801SC	SCREW				3.00
59	25334608	SUB TABLE (6)				1.00
60	SM6051002TP	SCREW M5X0.8 L=10				2.00
61	16682106	STACKER SAFETY PIPE	FOR JE			1.00
62	16728008	GRIP	FOR JE			1.00
63	SM6064002TP	SCREW M6 L=40	FOR JE			2.00
64	NM6060001SC	NUT M6	FOR JE			2.00
65	WS0610002KN	SPRING WASHER 6.1X12.2X1.5	FOR JE			4.00
66	WP0641601SC	WASHER	FOR JE			4.00
67	PA2505001A0	AIR CYLINDER				1.00
68	PJ304045102	ELBOW UNION, C				2.00
69	PA3210002A0	AIR CYLINDER				1.00
70	PC015103000	SPEED CONTROLLER				2.00
71	PA900061000	CLEVIS HOLDER				1.00
72	SM6081202TP	SCREW M8 L=12				2.00
73	WS0820002KN	SPRING WASHER M8				2.00
74	PV1505320A0	5-WAY SOLENOID VALVE				2.00
75	PJ210006100	HALF UNION				4.00
76	25358359	CABLE ASM.				1.00
77	18585109	TAPE				0.30
78	PJ210004200	HALF UNION				2.00
79	25333402	GRASPING RUBBER				1.00
80	WS0510002KN	SPRING WASHER				2.00
81	WP0531001SC	WASHER				2.00
82	NM6080001SC	NUT M8X1.25				1.00
83	WP0651646SC	WASHER				4.00
84	25376708	PROTECTION TAPE (2)				1.00

SP-41:GRASP STACKER UNIT (2) (OPTION)



No.	品番	品名	備考	子部品	消耗品	個数
1	25330705	SAFETY PIPE (L)	FOR JE			1.00
2	SM6102002TP	SCREW M10 L=20	FOR JE			1.00
3	WS1020002KN	SPRING WASHER M10	FOR JE			1.00
4	WP1052001SC	WASHER 10,5X21X2	FOR JE			1.00
5	25334707	SAFETY PIPE R (6)	FOR JE			1.00
6	SM6101602TP	HEXAGONAL-HOLE BOLT M10 L=16	FOR JE			1.00
7	WS1020002KN	SPRING WASHER M10	FOR JE			1.00
8	WP1052001SC	WASHER 10,5X21X2	FOR JE			1.00
9	25330903	SAFETY PIPE STRUT(UPPER)				1.00
10	SM9102003SB	SCREW M10 L=20				2.00
11	NM6100001SC	NUT M10X1.5				2.00
12	25182106	STRUT METAL				1.00
13	SM6053502TP	BOLT				2.00
14	WP0531001SC	WASHER				4.00
15	WS0510002KN	SPRING WASHER				4.00
16	NM6050001SC	NUT M5				2.00
17	25331000	SAFETY PIPE STRUT (LOWER)				1.00
18	25320201	PLUG CUSHION RUBBER				1.00

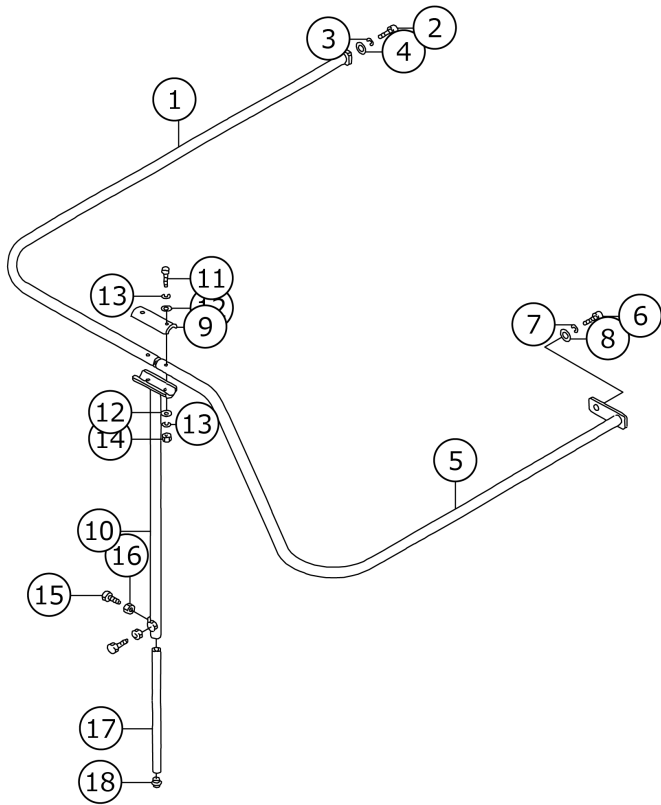
SP-42:BAR STACKER UNIT (1) (OPTION)



No.	品番	品名	備考	子部品	消耗品	個数
1	25329509	STACKER FITTING BKT(1)				1.00
2	SM6061202TP	SCREW M6 L=12				4.00
3	WS0610002KN	SPRING WASHER 6.1X12.2X1.5				4.00
4	WP0651646SC	WASHER				4.00
5	25329608	STACKER FITTING BKT(2)				1.00
6	SM6061202TP	SCREW M6 L=12				4.00
7	WS0610002KN	SPRING WASHER 6.1X12.2X1.5				4.00
8	WP0651646SC	WASHER				4.00
9	25328600	MAIN FRAME				1.00
10	NM6120003SC	NUT M12				1.00
11	GAS11111000	ADJUST BOLT				1.00
12	SM9102003SB	SCREW M10 L=20				2.00
13	NM6100001SC	NUT M10X1.5				1.00
14	25320508	PILLOW BLOCK				6.00
15	SM6062002TP	SCREW M6 L=20				12.00
16	WS0610002KN	SPRING WASHER 6.1X12.2X1.5				12.00
17	NM6060001SC	NUT M6				12.00
18	25328709	CLOTH HOLDER BASE				1.00
19	25328808	VELVET CLOTH				1.00
20	25331703	CLOTH BRUSH FULCRUM SHAFT				1.00
21	25331604	CLOTH PRESSER FULCRUM SHAFT				2.00
22	SM4062001SC	SCREW M6 L=20				3.00
23	WS0610002KN	SPRING WASHER 6.1X12.2X1.5				3.00
24	18590208	ELBOW UNION				2.00
25	PV205101000	SHUTTLE VALVE				1.00
26	PJ301065103	HALF UNION 6XPT1/8				3.00
27	25329202	CLOTH PRESSER ARM(LOWER)				2.00
28	SM9082003SC	SCREW M8 L=20				4.00
29	NM6080001SC	NUT M8X1.25				4.00
30	SM6051002TP	SCREW M5X0.8 L=10				4.00
31	25320300	LINK BALL				2.00
32	WS1020002KN	SPRING WASHER M10				2.00
33	WP1052001SC	WASHER 10,5X21X2				2.00
34	SM6042502TP	SCREW M4X0.7 L=25				1.00
35	WS0410002KN	SPRING WASHER				1.00
36	PV1505320A0	5-WAY SOLENOID VALVE				2.00
37	PJ210006100	HALF UNION				6.00
38	25329400	CLOTH PRESSER ARM(UPPER)				2.00
39	GAS11154000	STACKER RING				8.00
40	25334806	SUB TABLE				1.00
41	SM0050801SC	SCREW				4.00
42	GAS11124000	RUBBER CUSHION				1.00
43	25331109	SAFETY PIPE(L)	FOR JE			1.00
44	16728008	GRIP	FOR JE			1.00
45	SM6102002TP	SCREW M10 L=20	FOR JE			1.00
46	WS1020002KN	SPRING WASHER M10	FOR JE			1.00
47	WP1052001SC	WASHER 10,5X21X2	FOR JE			1.00
48	PJ308060003	Y UNION				3.00
49	25358359	CABLE ASM.				1.00
50	16623407	SWITCH FITTING PLATE				1.00

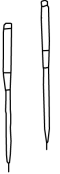
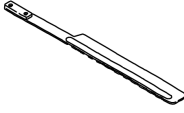
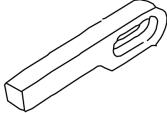
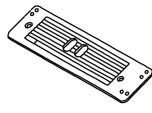
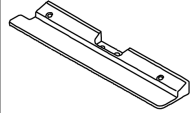
51	16727802	RUBBER FOOT				4.00
52	PA3220001A0	AIR CYLINDER				1.00
53	PC015103000	SPEED CONTROLLER				2.00
54	PA3207503A0	AIR CYLINDER				1.00
55	PC015103000	SPEED CONTROLLER				2.00
56	PA3212502A0	AIR CYLINDER				1.00
57	PC015103000	SPEED CONTROLLER				2.00
58	PA900060000	CLEVIS HOLDER				3.00
59	SM6061002TP	SCREW M6 L=10				6.00
60	WS0610002KN	SPRING WASHER 6.1X12.2X1.5				6.00
61	G54211160A0	MECHANICAL VALVE ASM.				1.00
62	25329004	ROCKING ARM				1.00
63	16697906	ROCKING ARM BRACKET				1.00
64	SM6084002TN	SCREW M8 L=40				1.00
65	SM6083502TN	SCREW				1.00
66	WS0820002KN	SPRING WASHER M8				1.00
67	16698003	CONNECTING BLOCK				1.00
68	16681900	CONNECTING BLOCK				1.00
69	RC0841011KP	RETAINING RING 8.4				1.00
70	16681801	CYLINDER PIN (2)				1.00
71	SM6082002TN	SCREW M8 L=20				1.00
72	25328907	ROCKING ARM BRACKET				1.00
73	SM6082502TP	SCREW M8 L=25				1.00
74	25182106	STRUT METAL				1.00
75	25330903	SAFETY PIPE STRUT(UPPER)				1.00
76	SM6053502TP	BOLT				2.00
77	WP0531001SC	WASHER				4.00
78	WS0510002KN	SPRING WASHER				4.00
79	NM6050001SC	NUT M5				2.00
80	SM9102003SB	SCREW M10 L=20				2.00
81	NM6100001SC	NUT M10X1.5				2.00
82	25331000	SAFETY PIPE STRUT (LOWER)				1.00
83	25320201	PLUG CUSHION RUBBER				1.00
84	25376708	PROTECTION TAPE (2)				1.00

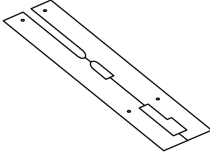
SP-42:BAR STACKER UNIT (2) (OPTION)




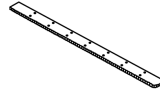
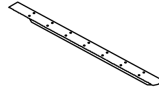
No.	品番	品名	備考	子部品	消耗品	個数
1	25331208	SAFETY PIPE(L)	FOR JE			1.00
2	SM6102002TP	SCREW M10 L=20	FOR JE			1.00
3	WS1020002KN	SPRING WASHER M10	FOR JE			1.00
4	WP1052001SC	WASHER 10,5X21X2	FOR JE			1.00
5	25334905	SAFETY PIPE R (6)	FOR JE			1.00
6	SM6101602TP	HEXAGONAL-HOLE BOLT M10 L=16	FOR JE			1.00
7	WS1020002KN	SPRING WASHER M10	FOR JE			1.00
8	WP1052001SC	WASHER 10,5X21X2	FOR JE			1.00
9	25182106	STRUT METAL				1.00
10	25330903	SAFETY PIPE STRUT(UPPER)				1.00
11	SM6053502TP	BOLT				2.00
12	WP0531001SC	WASHER				4.00
13	WS0510002KN	SPRING WASHER				4.00
14	NM6050001SC	NUT M5				2.00
15	SM9102003SB	SCREW M10 L=20				2.00
16	NM6100001SC	NUT M10X1.5				2.00
17	25331000	SAFETY PIPE STRUT (LOWER)				1.00
18	25320201	PLUG CUSHION RUBBER				1.00


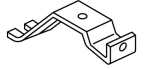
TABLE OF EXCHANGING PARTS (1)

	Needle gauge	Folding plate asm.		Folding plate stopper		Flap base plate		Garment clamp plate asm.		
	針幅 (mm)	折込板 (組)		折込板ストッパー		フラップベース(組)		身頃クランプ (組)		
						Ref.No.	Part No.	Ref.No.	Part No.	Ref.No.
Left 左	8, 10, 12, 14mm	①	252-98365	⑤	G5131-116-C00	⑨	252-98753	⑬	168-09253	
	16, 18, 20mm	②	252-98563	⑥	G5131-116-D00	⑩	253-32156	⑭	168-09451	
Right 右	8, 10, 12, 14mm	③	252-98464	⑦	G5130-116-C00	⑪	252-98852	⑮	168-09352	
	16, 18, 20mm	④	252-98662	⑧	G5130-116-D00	⑫	253-32255	⑯	168-09550	

Needle gauge 針幅 (mm)	Sewing table asm. 縫製テーブル (組)	
		
	Ref.No.	Part No.
8, 10, 12 (mm)	⑰	253-37015
14, 16 (mm)	⑱	253-74901
18, 20 (mm)	⑲	253-37114

Coner knife コーナメス	Needle gauge 針幅 (mm)		
		Ref.No.	Part No.
		⑳	166-07301(A-1)
	8, 10, 12, 14mm	㉑	166-07400(A-2)
	16, 18mm	㉒	166-07509(B-1)
	20mm	㉓	166-07608(B-2)
		㉔	166-07707(C-1)
		㉕	166-07806(C-2)

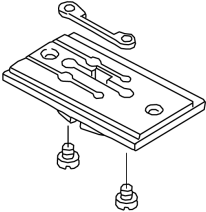
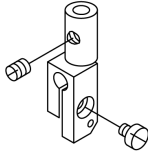
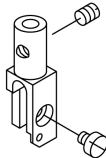
Selective part 選択部品	Rubber sole 身頃クランプゴム			
	Left 左		Right 右	
	Specification 仕様			
	Ref.No.	Part No.	Ref.No.	Part No.
standard 標準	⑳	167-78409	㉓	167-78508
For heavy-weight materials 厚物用	㉑	167-04900	㉔	167-04900
Sponge スポンジ	㉒	G5115-117-C00	㉕	G5115-117-E00
Sponge (for heavy-weight materials) スポンジ (厚物用)	㉓	G5115-117-D00	㉔	G5115-117-F00

Needle gauge 針幅 (mm)	Workpiece guide spring 生地ガイドバネ			
				
	Ref.No.	Part No.	Ref.No.	Part No.
8, 10, 12, 14mm	㉖	G5328-116-000	㉙	166-72206
16, 18, 20mm	㉗	G5328-116-A00	㉚	166-72305

*FOR WELT PATCH SUPPLY TYPE
玉布供給仕様用

No.	品番	品名	備考	子部品	消耗品	個数
1	25298365	FOLDING PLATE, LEFT ASM.				1.00
2	25298563	FOLDING PLATE, LEFT ASM.				1.00
3	25298464	FOLDING PLATE, RIGHT ASM.				1.00
4	25298662	FOLDING PLATE, RIGHT ASM.				1.00
5	G5131116C00	FOLDING PLATE STOPPER, LEFT				1.00
6	G5131116D00	STOPPER, LEFT				1.00
7	G5130116C00	FOLDING PLATE STOPPER,RIGHT				1.00
8	G5130116D00	FOLDING PLATE STOPPER, RIGHT A				1.00
9	25298753	FLAP BASE ASM., LEFT				1.00
10	25332156	FLAP BASE ASM., LEFT				1.00
11	25298852	FLAP BASE ASM., RIGHT				1.00
12	25332255	FLAP BASE ASM., RIGHT				1.00
13	16809253	GARMENT CLAMP ASM., LEFT				1.00
14	16809451	GARMENT BODY CLAMP ASM., LEFT				1.00
15	16809352	GARMENT CLAMP ASM., RIGHT				1.00
16	16809550	GARMENT BODY CLAMP ASM., RIGHT				1.00
17	25337015	SEWING TABLE (6)				1.00
18	25374901	SEWING TABLE				1.00
19	25337114	SEWING TABLE (6)				1.00
20	16607301	CORNER KNIFE A1				1.00
21	16607400	CORNER KNIFE A2				1.00
22	16607509	CORNER KNIFE (B-1)				1.00
23	16607608	CORNER KNIFE (B-2)				1.00
24	16607707	CORNER KNIFE (C-1)				1.00
25	16607806	CORNER KNIFE (C-2)				1.00
26	16778409	GARMENT CLAMP RUBBER, LEFT				1.00
27	16704900	RUBBER CLAMP				1.00
28	G5115117C00	RUBBER CLAMP, LEFT				1.00
29	G5115117D00	RUBBER CLAMP, LEFT				1.00
30	16778508	GARMENT CLAMP RUBBER, RIGHT				1.00
31	16704900	RUBBER CLAMP				1.00
32	G5115117E00	RUBBER CLAMP, RIGHT				1.00
33	G5115117F00	RUBBER CLAMP, RIGHT				1.00
34	G5328116000	WORKPIECE GUIDE SPRING A				1.00
35	G5328116A00	WORKPIECE GUIDE SPRING B				1.00
36	16672206	WORKPIECE GUIDE SPRING A				1.00
37	16672305	WORKPIECE GUIDE SPRING B				1.00

TABLE OF EXCHANGING PARTS (2)

Needle gauge 針幅 (mm)	Throat plate asm. 針板 (組)				Needle clamp 針留 (左)		Needle clamp 針留 (右)	
								
	左メス用		右メス用		Ref.No.	Part No.	Ref.No.	Part No.
8mm(5/16")	①	164-01150	⑧	164-02356	⑮	164-31504	⑳	164-31603
10mm(25/64")	②	164-01259	⑨	164-02455	⑯	164-31702	㉑	164-31801
12mm(15/32")	③	164-01358	⑩	164-02554	⑰	164-31900	㉒	164-32007
14mm(35/64")	④	164-01457	⑪	164-02653	⑱	164-32106	㉓	164-32205
16mm(5/8")	⑤	164-01556	⑫	164-02752	⑲	164-32304	㉔	164-32403
18mm(45/64")	⑥	164-01655	⑬	164-02851	⑳	164-32502	㉕	164-32601
20mm(25/32")	⑦	164-01754	⑭	164-02950	㉑	164-32700	㉖	164-32809

Needle gauge 針幅 (mm)	Knife 上糸切りメス		Needle thread counter knife 上糸切り固定メス		Needle thread clamp plate 上糸クランプ板	
	Ref.No.	Part No.	Ref.No.	Part No.	Ref.No.	Part No.
8mm(5/16")	⑳	251-37100	㉓	164-09906	㉕	164-10201
10mm(25/64")						
12mm(15/32")	㉑	164-09500				
14mm(35/64")	㉒	164-10508				
16mm(5/8")						
18mm(45/64")	㉒	164-11100	㉔	164-11308	㉖	164-11407
20mm(25/32")						

No.	品番	品名	備考	子部品	消耗品	個数
1	16401150	THROAT PLATE ASM. 8MM				1.00
2	16401259	THROAT PLATE ASM. 10MM				1.00
3	16401358	THROAT PLATE ASM.12MM				1.00
4	16401457	THROAT PLATE ASM. 14MM				1.00
5	16401556	THROAT PLATE ASM.16MM				1.00
6	16401655	THROAT PLATE ASM. 18MM				1.00
7	16401754	THROAT PLATE ASM 20MM				1.00
8	16402356	THROAT PLATE, RIGHT 8MM ASM.				1.00
9	16402455	THROAT PLATE, RIGHT 10MM				1.00
10	16402554	THROAT PLATE, RIGHT 12MM				1.00
11	16402653	THROAT PLATE, RIGHT 14MM				1.00
12	16402752	THROAT PLATE, RIGHT 16MM				1.00
13	16402851	THROAT PLATE, RIGHT 18MM				1.00
14	16402950	THROAT PLATE, RIGHT 20MM				1.00
15	16431504	NEEDLE CLAMP D (LEFT) 8MM				1.00
16	16431702	NEEDLE CLAMP D LEFT (10MM)				1.00
17	16431900	NEEDLE CLAMP D (LEFT) 12MM				1.00
18	16432106	NEEDLE CLAMP, LEFT				1.00
19	16432304	NEEDLE CLAMP D (LEFT) 16MM				1.00
20	16432502	NEEDLE CLAMP D (LEFT) 18MM				1.00
21	16432700	NEEDLE CLAMP D, LEFT, 20MM				1.00
22	16431603	NEEDLE CLAMP D (RIGHT) 8MM				1.00
23	16431801	NEEDLE CLAMP D RIGHT (10MM)				1.00
24	16432007	NEEDLE CLAMP D (RIGHT) 12MM				1.00
25	16432205	NEEDLE CLAMP, RIGHT				1.00
26	16432403	NEEDLE CLAMP D (RIGHT) 16MM				1.00
27	16432601	NEEDLE CLAMP D (RIGHT) 18MM				1.00
28	16432809	NEEDLE CLAMP D, RIGHT, 20MM				1.00
29	25137100	NEEDLE THREAD KNIFE F				1.00
30	16409500	NEEDLE THREAD KNIFE A				1.00
31	16410508	NEEDLE THREAD KNIFE B				1.00
32	16411100	UPPER THREAD CUTTING KNIFE E				1.00
33	16409906	NEEDLE THREAD COUNTER KNIFE				1.00
34	16411308	FIXED KNIFE				1.00
35	16410201	NEEDLE THREAD CLAMP PLATE				1.00
36	16411407	CLAMP PLATE A				1.00

TABLE OF EXCHANGING PARTS (3)

標準仕様

Needle gauge 針 幅 (mm)	Double welt 両玉縁				Single welt 片玉縁							
	Ref.No.	Part No.	L	R	Ref.No.	Part No.	L	R	Ref.No.	Part No.	L	R
G												
8mm (5/16")	①	253-11010	3.3	3.3	⑨	253-11713	7.3	7.3	⑰	253-12414	7.3	3.3
									⑱	253-13115	3.3	7.3
10mm (25/64")	②	253-11119	4.3	4.3	⑩	253-11812	9.3	9.3	⑲	253-12513	9.3	4.3
	③	253-17017	3.8	3.8	⑪	253-17215	8.3	0.5	⑳	253-13214	4.3	9.3
12mm (15/32")	④	253-65511	5.3	5.3	⑫	253-66014	11.3	11.3	㉑	253-66519	11.3	5.3
									㉒	253-67012	5.3	11.3
14mm (35/64")	⑤	253-65610	6.3	6.3	⑬	253-66113	13.3	13.3	㉓	253-66618	13.3	6.3
									㉔	253-67111	6.3	13.3
16mm (5/8")	⑥	253-65719	7.3	7.3	⑭	253-66212	15.3	15.3	㉕	253-66717	15.3	7.3
									㉖	253-67210	7.3	15.3
18mm (45/64")	⑦	253-65818	8.3	8.3	⑮	253-66311	17.3	17.3	㉗	253-66816	17.3	8.3
									㉘	253-67319	8.3	17.3
20mm (25/32")	⑧	253-65917	9.3	9.3	⑯	253-66410	19.3	19.3	㉙	253-66915	19.3	9.3
									㉚	253-67418	9.3	19.3

玉布供給仕様

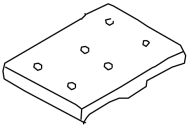
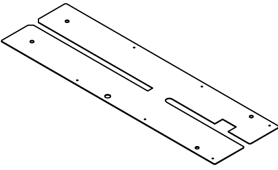
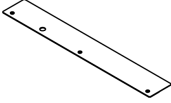
Needle gauge 針 幅 (mm)	Double welt 両玉縁				Single welt 片玉縁							
	Ref.No.	Part No.	L	R	Ref.No.	Part No.	L	R	Ref.No.	Part No.	L	R
G												
8mm (5/16")	⑳	253-13818	3.3	3.3	㉑	253-14519	7.3	7.3	㉒	253-15219	7.3	3.3
									㉓	253-15912	3.3	7.3
10mm (25/64")	㉔	253-13917	4.3	4.3	㉕	253-14618	9.3	9.3	㉖	253-15318	9.3	4.3
	㉗	253-17116	3.8	3.8	㉘	253-17314	8.3	0.5	㉙	253-16019	4.3	9.3
12mm (15/32")	㉚	253-67517	5.3	5.3	㉛	253-68010	11.3	11.3	㉜	253-68515	11.3	5.3
									㉝	253-69018	5.3	11.3
14mm (35/64")	㉞	253-67616	6.3	6.3	㉟	253-68119	13.3	13.3	㊱	253-68614	13.3	6.3
									㊲	253-69117	6.3	13.3
16mm (5/8")	㊳	253-67715	7.3	7.3	㊴	253-68218	15.3	15.3	㊵	253-68713	15.3	7.3
									㊶	253-69216	7.3	15.3
18mm (45/64")	㊷	253-67814	8.3	8.3	㊸	253-68317	17.3	17.3	㊹	253-68812	17.3	8.3
									㊺	253-69315	8.3	17.3
20mm (25/32")	㊻	253-67913	9.3	9.3	㊼	253-68416	19.3	19.3	㊽	253-68911	19.3	9.3
									㊾	253-69414	9.3	19.3

No.	品番	品名	備考	子部品	消耗品	個数
1	25311010	WELT PATCH BASE PLATE				1.00
2	25311119	WELT PATCH BASE PLATE				1.00
3	25317017	WELT PATCH BASE PLATE				1.00
4	25365511	WELT PATCH BASE PLATE				1.00
5	25365610	WELT PATCH BASE PLATE				1.00
6	25365719	WELT PATCH BASE PLATE				1.00
7	25365818	WELT PATCH BASE PLATE				1.00
8	25365917	WELT PATCH BASE PLATE				1.00
9	25311713	WELT PATCH BASE PLATE				1.00
10	25311812	WELT PATCH BASE PLATE				1.00
11	25317215	WELT PATCH BASE PLATE				1.00
12	25366014	WELT PATCH BASE PLATE				1.00
13	25366113	WELT PATCH BASE PLATE				1.00
14	25366212	WELT PATCH BASE PLATE				1.00
15	25366311	WELT PATCH BASE PLATE				1.00
16	25366410	WELT PATCH BASE PLATE				1.00
17	25312414	WELT PATCH BASE PLATE				1.00
18	25313115	WELT PATCH BASE PLATE				1.00
19	25312513	WELT PATCH BASE PLATE				1.00
20	25313214	WELT PATCH BASE PLATE				1.00
21	25366519	WELT PATCH BASE PLATE				1.00
22	25367012	WELT PATCH BASE PLATE				1.00
23	25366618	WELT PATCH BASE PLATE				1.00
24	25367111	WELT PATCH BASE PLATE				1.00
25	25366717	WELT PATCH BASE PLATE				1.00
26	25367210	WELT PATCH BASE PLATE				1.00
27	25366816	WELT PATCH BASE PLATE				1.00
28	25367319	WELT PATCH BASE PLATE				1.00
29	25366915	WELT PATCH BASE PLATE				1.00
30	25367418	WELT PATCH BASE PLATE				1.00
31	25313818	WELT PATCH BASE PLATE				1.00
32	25313917	WELT PATCH BASE PLATE				1.00
33	25317116	WELT PATCH BASE PLATE				1.00
34	25367517	WELT PATCH BASE PLATE				1.00
35	25367616	WELT PATCH BASE PLATE				1.00
36	25367715	WELT PATCH BASE PLATE				1.00
37	25367814	WELT PATCH BASE PLATE				1.00
38	25367913	WELT PATCH BASE PLATE				1.00
39	25314519	WELT PATCH BASE PLATE				1.00
40	25314618	WELT PATCH BASE PLATE				1.00
41	25317314	WELT PATCH BASE PLATE				1.00
42	25368010	WELT PATCH BASE PLATE				1.00
43	25368119	WELT PATCH BASE PLATE				1.00
44	25368218	WELT PATCH BASE PLATE				1.00
45	25368317	WELT PATCH BASE PLATE				1.00
46	25368416	WELT PATCH BASE PLATE				1.00
47	25315219	WELT PATCH BASE PLATE				1.00
48	25315912	WELT PATCH BASE PLATE				1.00
49	25315318	WELT PATCH BASE PLATE				1.00
50	25316019	WELT PATCH BASE PLATE				1.00

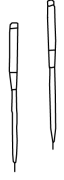
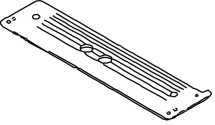
51	25368515	WELT PATCH BASE PLATE				1.00
52	25369018	WELT PATCH BASE PLATE				1.00
53	25368614	WELT PATCH BASE PLATE				1.00
54	25369117	WELT PATCH BASE PLATE				1.00
55	25368713	WELT PATCH BASE PLATE				1.00
56	25369216	WELT PATCH BASE PLATE				1.00
57	25368812	WELT PATCH BASE PLATE				1.00
58	25369315	WELT PATCH BASE PLATE				1.00
59	25368911	WELT PATCH BASE PLATE				1.00
60	25369414	WELT PATCH BASE PLATE				1.00

OPTION COMPONENTS

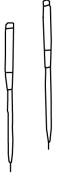
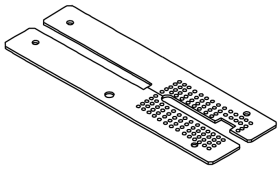
SA85N:PAVING PLATE UNIT 敷板装置

Needle gauge 針幅 (mm)	Paving plate table 敷板台		Sewing table 縫製テーブル		plate guide 敷板ガイド	
						
	Ref.No.	Part No.	Ref.No.	Part No.	Ref.No.	Part No.
8,10,12mm	①	167-03506	④	253-37213	⑦	253-35001
14,16mm	②	167-03605	⑤	253-75007	⑧	253-77508
18,20mm	③	167-03704	⑥	253-37312	⑨	253-35100

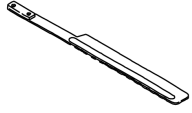
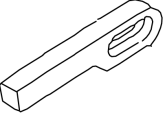
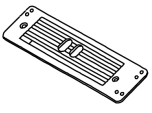
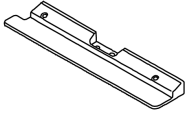
SA83N:AUTOMATIC FLAP FEEDING UNIT フラップ自動供給

	Needle gauge 針幅 (mm)	Flap base フラップベース	
			
		Ref.No.	Part No.
Left 左	8,10,12,14mm	⑨	253-75858
	16,18,20mm	⑩	253-75957
Right 右	8,10,12,14mm	⑪	253-76054
	16,18,20mm	⑫	253-76153

SA90N:SUCTION UNIT 吸引装置

Needle gauge 針幅 (mm)	Sewing table 縫製テーブル	
		
	Ref.No.	Part No.
8,10,12mm	⑬	253-37411
14,16mm	⑭	253-37510
18,20mm	⑮	253-37619

SA97N:SINGLE AND DOUBLE CHANGE UNIT 片玉,両玉切換装置

	Needle gauge 針幅 (mm)	Folding plate asm.		Folding plate stopper		Flap base plate		Garment clamp plate asm.	
									
		Ref.No.	Part No.	Ref.No.	Part No.	Ref.No.	Part No.	Ref.No.	Part No.
Left 左	8,10,12,14mm	⑯	252-98365	⑳	G5131-116-C00	㉔	252-98753	㉘	168-09253
	16,18,20mm	㉑	252-98563	㉒	G5131-116-D00	㉕	253-32156	㉙	168-09451
Right 右	8,10,12,14mm	㉓	252-98464	㉔	G5130-116-C00	㉖	252-98852	㉚	168-09352
	16,18,20mm	㉕	252-98662	㉖	G5130-116-D00	㉗	253-32255	㉛	168-09550

No.	品番	品名	備考	子部品	消耗品	個数
1	16703506	PAVING PLATE BASE A				1.00
2	16703605	PAVING PLATE BASE B				1.00
3	16703704	PLATE BASE				1.00
4	25337213	SEWING TABLE (6)				1.00
5	25375007	SEWING TABLE				1.00
6	25337312	SEWING TABLE (6)				1.00
7	25335001	PLATE GUIDE (6)				1.00
8	25335100	PLATE GUIDE (6)				1.00
9	25375858	FLAP BASE ASM. ,LEFT				1.00
10	25375957	FLAP BASE ASM. ,LEFT				1.00
11	25376054	FLAP BASE ,RIGHT				1.00
12	25376153	FLAP BASE ,RIGHT				1.00
13	25337411	SEWING TABLE (6) FOR VACUUM				1.00
14	25337510	TABLE (6) FOR VACUUM				1.00
15	25337619	SEWING TABLE (6) FOR VACUUM				1.00
16	25298365	FOLDING PLATE,LEFT ASM.				1.00
17	25298563	FOLDING PLATE,RIGHT ASM.				1.00
18	25298464	FOLDING PLATE,RIGHT ASM.				1.00
19	25298662	FOLDING PLATE,RIGHT ASM.				1.00
20	G5131116C00	FOLDING PLATE STOPPER, LEFT				1.00
21	G5131116D00	STOPPER, LEFT				1.00
22	G5130116C00	FOLDING PLATE STOPPER,RIGHT				1.00
23	G5130116D00	FOLDING PLATE STOPPER, RIGHT A				1.00
24	25298753	FLAP BASE ASM., LEFT				1.00
25	25332156	FLAP BASE ASM., LEFT				1.00
26	25298852	FLAP BASE ASM., RIGHT				1.00
27	25332255	FLAP BASE ASM., RIGHT				1.00
28	16809253	GARMENT CLAMP ASM., LEFT				1.00
29	16809451	GARMENT BODY CLAMP ASM., LEFT				1.00
30	16809352	GARMENT CLAMP ASM., RIGHT				1.00
31	16809550	GARMENT BODY CLAMP ASM., RIGHT				1.00
32	25377508	PAVING PLATE GUIDE				1.00

No.	品番	品名	備考	子部品	消耗品	個数
1	HM001310000	SERVO MOTOR				1.00
2	G85131950A0	CABLE ASM.				1.00
3	G85231950A0	CABLE ASM.				1.00
4	HM00131001A	AC SERVO DRIVER FOR APW				1.00
5	G85121950A0	IF CABLE ASM.				1.00
6	B2529205ABA	Y STEPPING MOTOR (B) ASM.				1.00
7	B2529205ABA	Y STEPPING MOTOR (B) ASM.				1.00
8	G85111960A0	PULSE MOTOR CABLE ASM.				1.00
9	G86012310C0	I/O BOARD C ASM.				1.00
10	M86025110A0	P.C BOARD ASM.				1.00
11	G85211950A0	PMDC SIGNAL ASM.				1.00
12	G85201950A0	PMDC POWER SUPPLY ASM.				1.00
13	G86011960A0	CPU BASE ASM.				1.00
14	G85101960A0	POWER SOURCE TRANSFORMER ASM.	SELECTIVE PARTS			1.00
15	G85101960AA	POWER TRANSFORMER A ASM.	SELECTIVE PARTS			1.00
16	G85021950A0	CONTROL PANEL ASM.				1.00
17	G85241950A0	CABLE A ASM.				1.00
18	G85361950A0	MANUAL SWITCH ASM.	SELECTIVE PARTS			1.00
19	G85341950A0	KNEE SWITCH ASM.	SELECTIVE PARTS			1.00
20	G85371950A0	PEDAL SW RELAY A ASM.				1.00
21	25363052	FOOT PEDAL ASM.				1.00
22	G85151950A0	STACKER SIGNAL CABLE ASM.				1.00

HOW TO MAKE USE OF THIS PARTS LIST

1.Explanation of codes

1)"*"mark.....means this part is changed from the previous parts book.

As to the details of the change, refer to the "List for information of change".

2)"#01".....refer to "Note" explanation at bottom of page.

2.Codes on the "Qty" column

· Each numeral indicates the number of parts required.

· "0.1" and "2.5" indicate the length (in meters) of the respective parts.

3.Parentheses mean that the corresponding part is a subpart that constructs an assembly part.

4.Dotted lines on the Figures indicate assembly parts.

1."注記"欄の記号説明

1) "*"印.....前回のパーツブックに比較して今回変更された部品を意味します。

変更内容は、"変更情報リスト"を参照してください。

2) "#01".....ページ下の"注記"の説明を参照してください。

2.数量欄の数字は、個数を表し、0.1、2.5等の数値は、長さ（単位メートル）を表します。

3.数量欄の（ ）は、組部品を構成している子部品であることを意味します。

4.イラストページの-----枠は、組構成であることを意味します。